

IC18

PADRSTN	M5	B1-/IO1	B1-/O23	R8	CAL_OUT
JOY_RHN	M6	B1-/O2	B1-/O24	T1	BOOT_REQ
JOY_RLN	M7	B1-/O3	B1-/O25	T2	BOOT_ACK
BUTTONN	M8	B1-/O4	B1-/O26	T3	CONF1G1
SCSI_RSTN	N1	B1-/O5	B1-/O27	T5	CONF1G2
MC_SPT_DIN	N2	B1-/O6	B1-/O28	T6	XFF827E_D4
LDATA10	N3	B1-/O7	B1-/O29	U1	XFF827E_D2
JOY_LIEN	N4	B1-/O8	B1-/O30	U2	MC_SPT_DOUT
JOY_LIL	N5	B1-/O9	B1-/O31	U3	CONF1G3
XFF827E_D3	N6	B1-/O10	B1-/O32	U4	RHM_CLK
XFF827E_D5	P1	B1-/O11	B1-/O33	V1	MC_SPT_CLK
SCSI_RDN	P2	B1-/O12	B1-/O34	V2	UDATA3
MHK	P3	B1-/O13	B1-/O35	V4	CONF1G5
MHEN	P4	B1-/O14	B1-/O36	W1	UDATA2
SCSI_LRN	P5	B1-/O15	B1-/O37	W2	UDATA1
XFF827E_D6	P6	B1-/O16	B1-/O38	W3	CONF1G6
XFF827E_D7	R1	B1-/O17	B1-/O39	W4	DAC_SYNCN
MHD	R2	B1-/O18	B1-/O40	W5	HDRGN
FLCK	R4	B1-/O19	B1-/O41	Y1	UDATA0
DAC_SDAT4	R5	B1-/O20	B1-/O42	Y2	LDATA3
DAC_SCLK	R6	B1-/O21	B1-/O43	Y3	LDATA2
	R7	B1-/O22	B1-/O44	Y4	DAC_LDACN

EP2C35F484

IC18683

SCSI_DCN	A3	B3-/O1	B3-/O20	C9	IDE_I0ARN
SCSI_BUSYN	A4	B3-/O2	B3-/O21	C10	IDE_I0RDN
ACSI_RDN	A5	B3-/O3	B3-/O22	D7	IDE_I0RDY
SCSI_SELN	A6	B3-/O4	B3-/O23	D8	IDE_INTF0
SCSI_DP	A7	B3-/O5	B3-/O24	D9	83848_MDIO
SCSI_D1	A8	B3-/O6	B3-/O25	D11	IDE_CS0N
SCSI_D3	A9	B3-/O7	B3-/O26	E7	83848_RXD3
SCSI_D5	A10	B3-/O8	B3-/O27	E8	SCSI_IDN_3
SCSI_D7	A11	B3-/O9	B3-/O28	E9	SCSI_IDN_2
SCSI_REGN	B3	B3-/O10	B3-/O29	E11	IDE_CS1N
SCSI_MSGN	B4	B3-/O11	B3-/O30	F8	83848_RXD2
ACSI_LRN	B5	B3-/O12	B3-/O31	F9	SCSI_IDN_1
SCSI_CTRL_ENN	B6	B3-/O13	B3-/O32	F10	IDE_D_EN_INN
SCSI_ACKN	B7	B3-/O14	B3-/O33	F11	IDE_D_EN_OUTN
SCSI_D8	B8	B3-/O15	B3-/O34	G7	83848_RXD1
SCSI_D2	B9	B3-/O16	B3-/O35	G11	SCSI_IDN
SCSI_D4	B10	B3-/O17	B3-/O36	H7	83848_RXD0
SCSI_D6	B11	B3-/O18	B3-/O37	H11	83848_RX_DU
83848_RX_CLK	C7	B3-/O19			

EP2C35F484

IC18688

RAM_D0R1L	R11	B8-/O1	B8-/O20	AA3	FDD_LDN
BOOT_LED	T7	B8-/O2	B8-/O21	AA4	FDD_LPN
RAM_D0R1H	T8	B8-/O3	B8-/O22	AA5	FDD_RDN
RAM_D0R1L	T11	B8-/O4	B8-/O23	AA6	FDD_D1SEL
PLL_FAULT	U8	B8-/O5	B8-/O24	AA7	LPT_BSY
RAM_CASIN	U9	B8-/O6	B8-/O25	AA8	LPT_D6
RAM_CASGN	U10	B8-/O7	B8-/O26	AA9	LPT_D4
KEYB_RXD	V8	B8-/O8	B8-/O27	AA10	LPT_D2
KEYB_TXD	V9	B8-/O9	B8-/O28	AA11	LPT_D0
RAM_PASGN	V11	B8-/O10	B8-/O29	AB3	FDD_IPN
DS1392_CSN	W7	B8-/O11	B8-/O30	AB4	FDD_MDN
DS1392_SCL	W8	B8-/O12	B8-/O31	AB5	FDD_DIRCN
RAM_CASIN	W9	B8-/O13	B8-/O32	AB6	RESETN
FDD_SDSEL	Y5	B8-/O14	B8-/O33	AB7	LPT_D7
FDD_AGN	Y6	B8-/O15	B8-/O34	AB8	LPT_D5
FDD_D0SEL	Y7	B8-/O16	B8-/O35	AB9	LPT_D3
FDTYPE	Y9	B8-/O17	B8-/O36	AB10	LPT_D1
FDD_STEPN	Y10	B8-/O18	B8-/O37	AB11	LPT_STRB

EP2C35F484

IC18682

CRT_MONO	C1	B2-/O1	B2-/O20	G2	CRT_R0
CRT_B0	C2	B2-/O2	B2-/O21	G3	GD6
CS0N	C3	B2-/O3	B2-/O22	G5	CD5
ASD0	C4	B2-/O4	B2-/O23	G6	MIDI_TLR
CRT_B1	D1	B2-/O5	B2-/O24	H1	CRT_R1
CRT_B2	D2	B2-/O6	B2-/O25	H2	CRT_R2
GD0	D3	B2-/O7	B2-/O26	H3	H5YNC
HDINTN	D4	B2-/O8	B2-/O27	H4	MIDI_OLR
HDACKN	D5	B2-/O9	B2-/O28	H5	CD7
SOC_AWR_CLK	D6	B2-/O10	B2-/O29	H6	MIDI_IN
CRT_B3	E1	B2-/O11	B2-/O30	J1	CRT_R3
CRT_G0	E2	B2-/O12	B2-/O31	J2	USYNC
CD1	E3	B2-/O13	B2-/O32	J3	83848_TXD1
CD3	E4	B2-/O14	B2-/O33	J4	TESTPAD
CRT_G1	F1	B2-/O15	B2-/O34	J5	83848_TXD0
CRT_G2	F2	B2-/O16	B2-/O35	L6	UART_MIDI_RTSN
CD2	F3	B2-/O17	B2-/O36	L7	UART_MIDI_DCDN
CD4	F4	B2-/O18	B2-/O37	L8	UART_MIDI_CTSN
CRT_G3	G1	B2-/O19			

EP2C35F484

experiment-S - Wolfgang Foerster
 FP6A (part1)
 TITLE: Suska-III-C
 Document Number:
 Date: nicht gespeichert!
 REV: 2K7A-WF
 Sheet: 1/21

IC186\$4

ADR15	A13	ADR18	C14	ADR18	C14	ADR18
ADR13	A14	ADR20	C16	ADR20	C16	ADR20
ADR11	A15	ADR22	C17	ADR22	C17	ADR22
ADR9	A16	ADR21	C18	ADR21	C18	ADR21
ADR7	A17	ADR19	C19	ADR19	C19	ADR19
ADR5	A18	ADR17	D15	ADR17	D15	ADR17
ADR3	A19	ADR15	D16	ADR15	D16	ADR15
ADR1	A20	ADR13	D17	ADR13	D17	ADR13
ADR16	B13	ADR16	E15	ADR16	E15	ADR16
ADR14	B14	ADR14	F12	ADR14	F12	ADR14
ADR12	B15	ADR12	F13	ADR12	F13	ADR12
ADR10	B16	ADR10	F14	ADR10	F14	ADR10
ADR8	B17	ADR8	F15	ADR8	F15	ADR8
ADR6	B18	ADR6	G16	ADR6	G16	ADR6
ADR4	B19	ADR4	H14	ADR4	H14	ADR4
ADR2	B20	ADR2	H15	ADR2	H15	ADR2
ADR17	C13	ADR17	J14	ADR17	J14	ADR17

EP2C35F484

IC186\$5

3421_MOSI	C19	B5-I/O2	H16	ROM1N
83848_TX_EN	C20	B5-I/O3	H17	ROM3N
DATA1	C21	B5-I/O4	H18	ROM2N
DATA0	C22	B5-I/O5	H19	COM_RXD
3421_MISO	D19	B5-I/O6	H21	DATA11
83848_TXD2	D20	B5-I/O7	H22	DATA10
DATA3	D21	B5-I/O8	J15	ROM1N
DATA2	D22	B5-I/O9	J17	COM_TXD
3421_SCLK	E18	B5-I/O10	J18	COM_RL
3421_SS	E19	B5-I/O11	J19	COM_RTS
83848_TXD3	E20	B5-I/O12	J20	COM_CTS
DATA5	E21	B5-I/O13	J21	DATA13
DATA4	E22	B5-I/O14	J22	DATA12
83848_NDC	F20	B5-I/O15	K17	AVECN
DATA7	F21	B5-I/O16	K18	COM_DTR
DATA6	F22	B5-I/O17	K20	COM_DCD
CODEC_SCLK	G17	B5-I/O18	K21	DATA15
CODEC_SDIN	G18	B5-I/O19	K22	DATA14
3421_INT	G20	B5-I/O20	L17	ROM0N
DATA8	G21	B5-I/O21	L18	ROM5N
DATA8	G22	B5-I/O22	L19	ROM6N

EP2C35F484

IC186\$4

B4-I/O1	B4-I/O18	C14	ADR18
B4-I/O2	B4-I/O19	C16	ADR20
B4-I/O3	B4-I/O20	C17	ADR22
B4-I/O4	B4-I/O21	C18	ADR21
B4-I/O5	B4-I/O22	D15	ADR19
B4-I/O6	B4-I/O23	D16	ADR17
B4-I/O7	B4-I/O24	E14	83848_TX_CLK
B4-I/O8	B4-I/O25	E15	83848_COL
B4-I/O9	B4-I/O26	F12	FLASH_OEN
B4-I/O10	B4-I/O27	F13	FLASH_CEN
B4-I/O11	B4-I/O28	F14	FLASH_JEN
B4-I/O12	B4-I/O29	F15	FLASH_ADR19
B4-I/O13	B4-I/O30	G16	FLASH_ADR18
B4-I/O14	B4-I/O31	H14	83848_INT_
B4-I/O15	B4-I/O32	H15	FLASH_RDY
B4-I/O16	B4-I/O33	J14	83848_RX_ER
B4-I/O17	B4-I/O34		

EP2C35F484

IC186\$5

B5-I/O1	B5-I/O22	H16	ROM1N
B5-I/O2	B5-I/O23	H17	ROM3N
B5-I/O3	B5-I/O24	H18	ROM2N
B5-I/O4	B5-I/O25	H19	COM_RXD
B5-I/O5	B5-I/O26	H21	DATA11
B5-I/O6	B5-I/O27	H22	DATA10
B5-I/O7	B5-I/O28	J15	ROM1N
B5-I/O8	B5-I/O29	J17	COM_TXD
B5-I/O9	B5-I/O30	J18	COM_RL
B5-I/O10	B5-I/O31	J19	COM_RTS
B5-I/O11	B5-I/O32	J20	COM_CTS
B5-I/O12	B5-I/O33	J21	DATA13
B5-I/O13	B5-I/O34	J22	DATA12
B5-I/O14	B5-I/O35	K17	AVECN
B5-I/O15	B5-I/O36	K18	COM_DTR
B5-I/O16	B5-I/O37	K20	COM_DCD
B5-I/O17	B5-I/O38	K21	DATA15
B5-I/O18	B5-I/O39	K22	DATA14
B5-I/O19	B5-I/O40	L17	ROM0N
B5-I/O20	B5-I/O41	L18	ROM5N
B5-I/O21	B5-I/O42	L19	ROM6N

EP2C35F484

IC186\$7

RAM_BA0	R14	B7-I/O1	AA13	RAM_D15
RAM_ADR3	R15	B7-I/O2	AA14	RAM_D13
RAM_ADR2	R16	B7-I/O3	AA15	RAM_D11
RAM_ADR1	T16	B7-I/O4	AA16	RAM_D9
RAM_D1	U13	B7-I/O5	AA17	RAM_ADR12
RAM_KEN	U14	B7-I/O6	AA18	RAM_ADR9
RAM_DM1H	U15	B7-I/O7	AA19	RAM_ADR7
RAM_BA1	V14	B7-I/O8	AA20	RAM_ADR5
RAM_ADR0	V15	B7-I/O9	AB12	CONF164
RAM_ADR10	W14	B7-I/O10	AB13	RAM_D14
RAM_D1	W15	B7-I/O11	AB14	RAM_D12
RAM_D5	W16	B7-I/O12	AB15	RAM_D10
RAM_D2	Y13	B7-I/O13	AB16	RAM_D8
RAM_D3	Y14	B7-I/O14	AB17	RAM_ADR11
RAM_D6	Y16	B7-I/O15	AB18	RAM_ADR8
RAM_D7	Y17	B7-I/O16	AB19	RAM_ADR6
RAM_D0	AA12	B7-I/O17	AB20	RAM_ADR4

EP2C35F484

IC186\$6

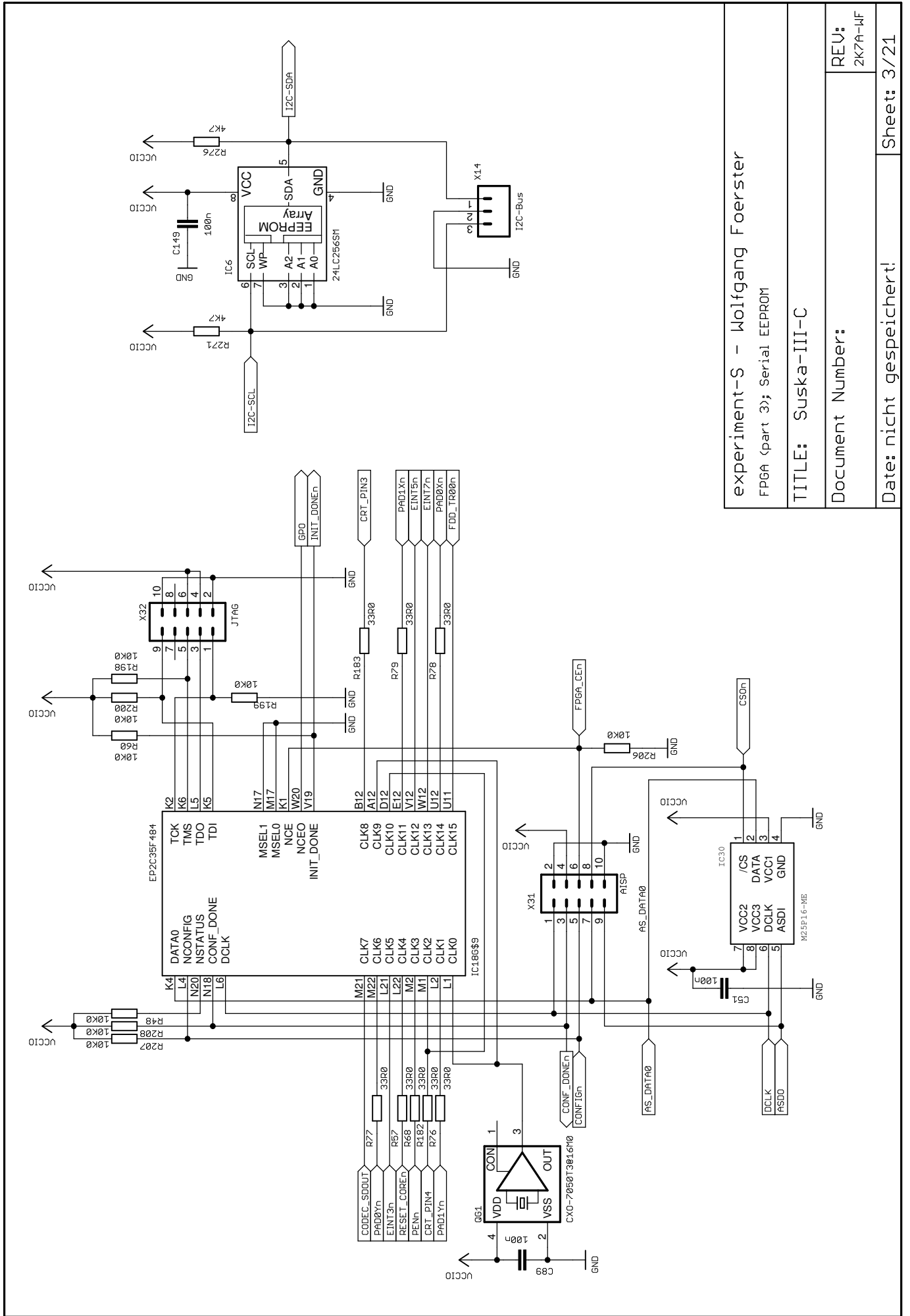
B6-I/O1	B6-I/O21	T18	SDC_AVR_PIO_DMAN
B6-I/O2	B6-I/O22	T21	BGACKN
B6-I/O3	B6-I/O23	T22	BRN
B6-I/O4	B6-I/O24	U18	SDC_AVR_DO
B6-I/O5	B6-I/O25	U19	SDC_AVR_CLR_CMD
B6-I/O6	B6-I/O26	U20	SDC_AVR_RHN
B6-I/O7	B6-I/O27	U21	UPAN
B6-I/O8	B6-I/O28	U22	DTACKN
B6-I/O9	B6-I/O29	V20	SDC_AVR_DONE
B6-I/O10	B6-I/O30	V21	FC1
B6-I/O11	B6-I/O31	W18	SDC_AVR_GOT_CMD
B6-I/O12	B6-I/O32	W21	UPAN
B6-I/O13	B6-I/O33	W22	FC0
B6-I/O14	B6-I/O34	Y18	YH_OUT_A
B6-I/O15	B6-I/O35	Y19	YH_OUT_B
B6-I/O16	B6-I/O36	Y20	YH_OUT_C
B6-I/O17	B6-I/O37	Y21	E
B6-I/O18	B6-I/O38	Y22	B60N
B6-I/O19	B6-I/O39		

EP2C35F484

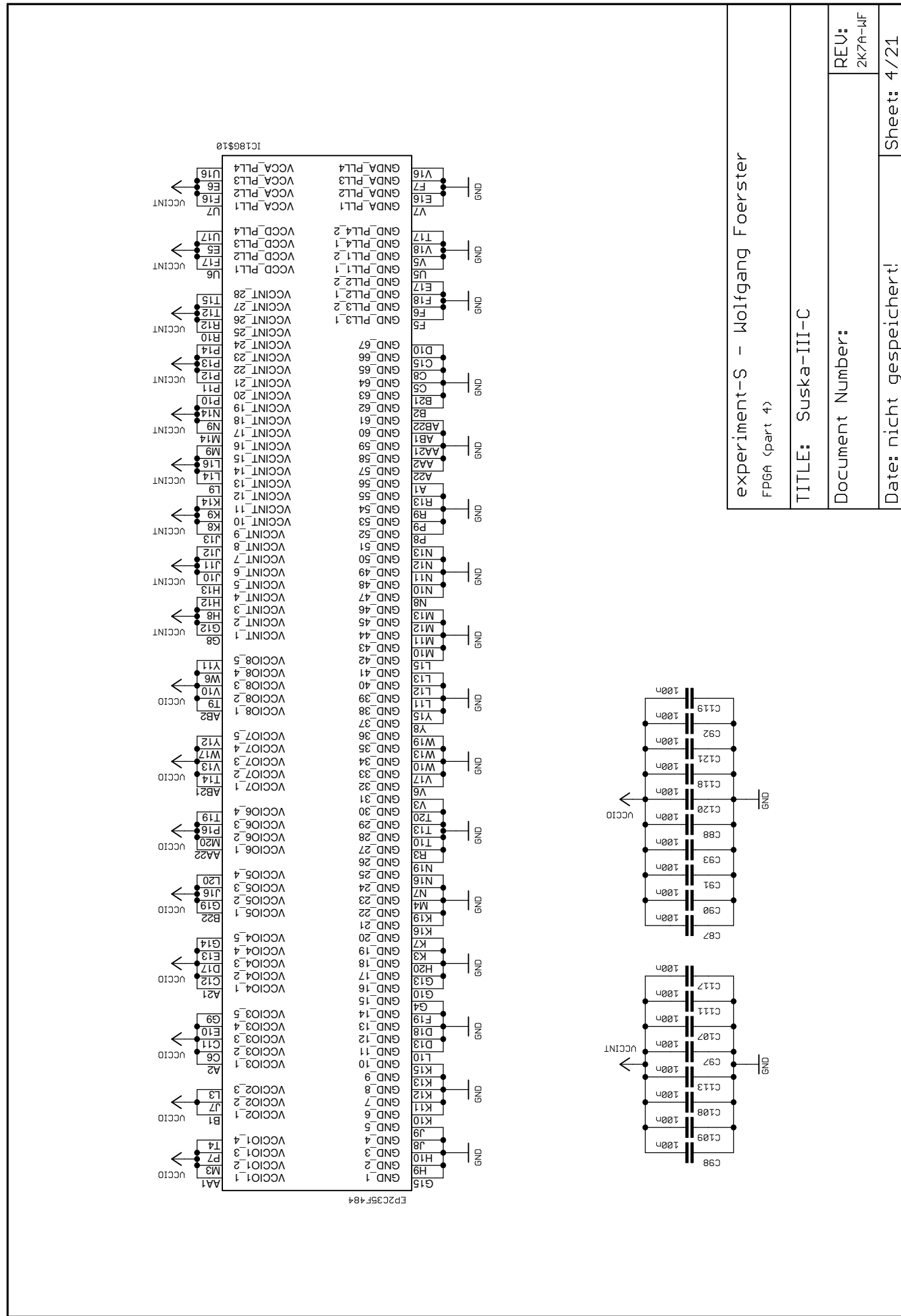
experiment-S - Wolfgang Foerster
 FP6A (part 2)
 TITLE: Suska-III-C
 Document Number:
 Date: nicht gespeichert!

REV:
2K7A-WF

Sheet: 2/21



experiment-S - Wolfgang Foerster
 FP6A (part 3); Serial EEPROM
 TITLE: Suska-III-C
 Document Number:
 REV: 2K7A-WF
 Date: nicht gespeichert!
 Sheet: 3/21



experiment-S - Wolfgang Foerster
 FPGA (part 4)

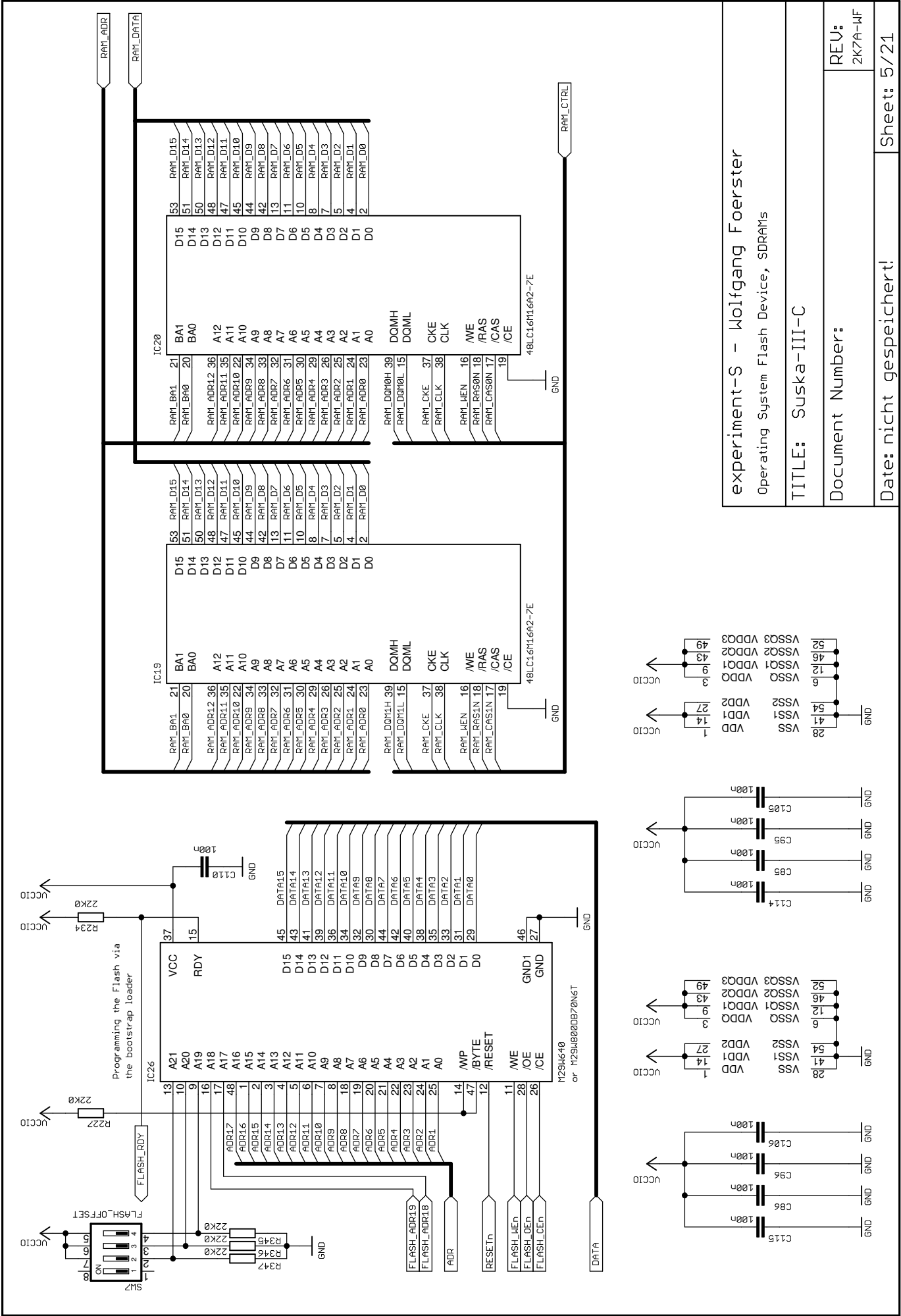
TITLE: Suska-III-C

Document Number:

REV: 2K7A-WF

Date: nicht gespeichert!

Sheet: 4/21



experiment-S - Wolfgang Foerster
Operating System Flash Device, SDRAMs

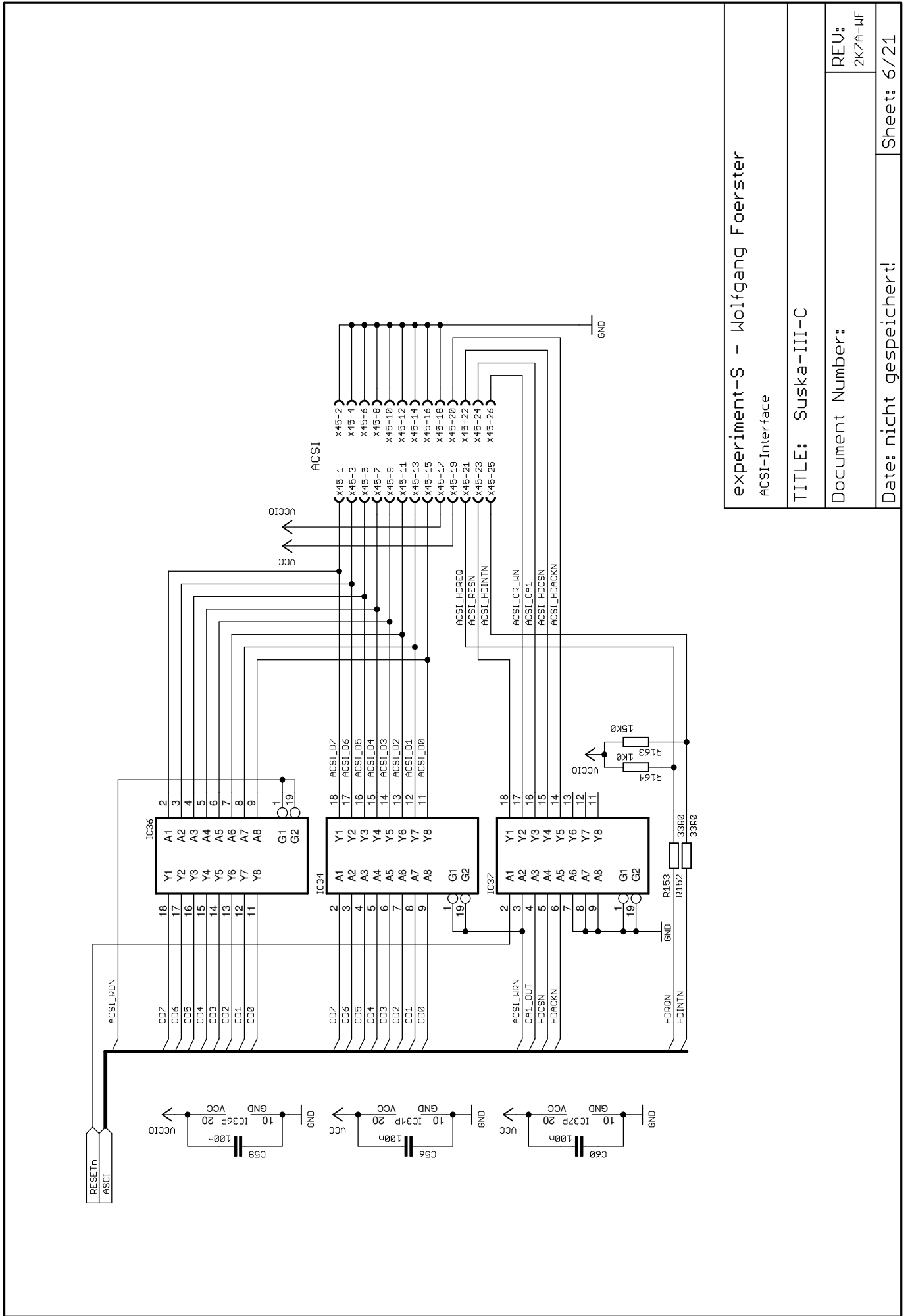
TITLE: Suska-III-C

Document Number:

REV:
2K7A-WF

Date: nicht gespeichert!

Sheet: 5/21



experiment-S - Wolfgang Foerster
ACSI-Interface

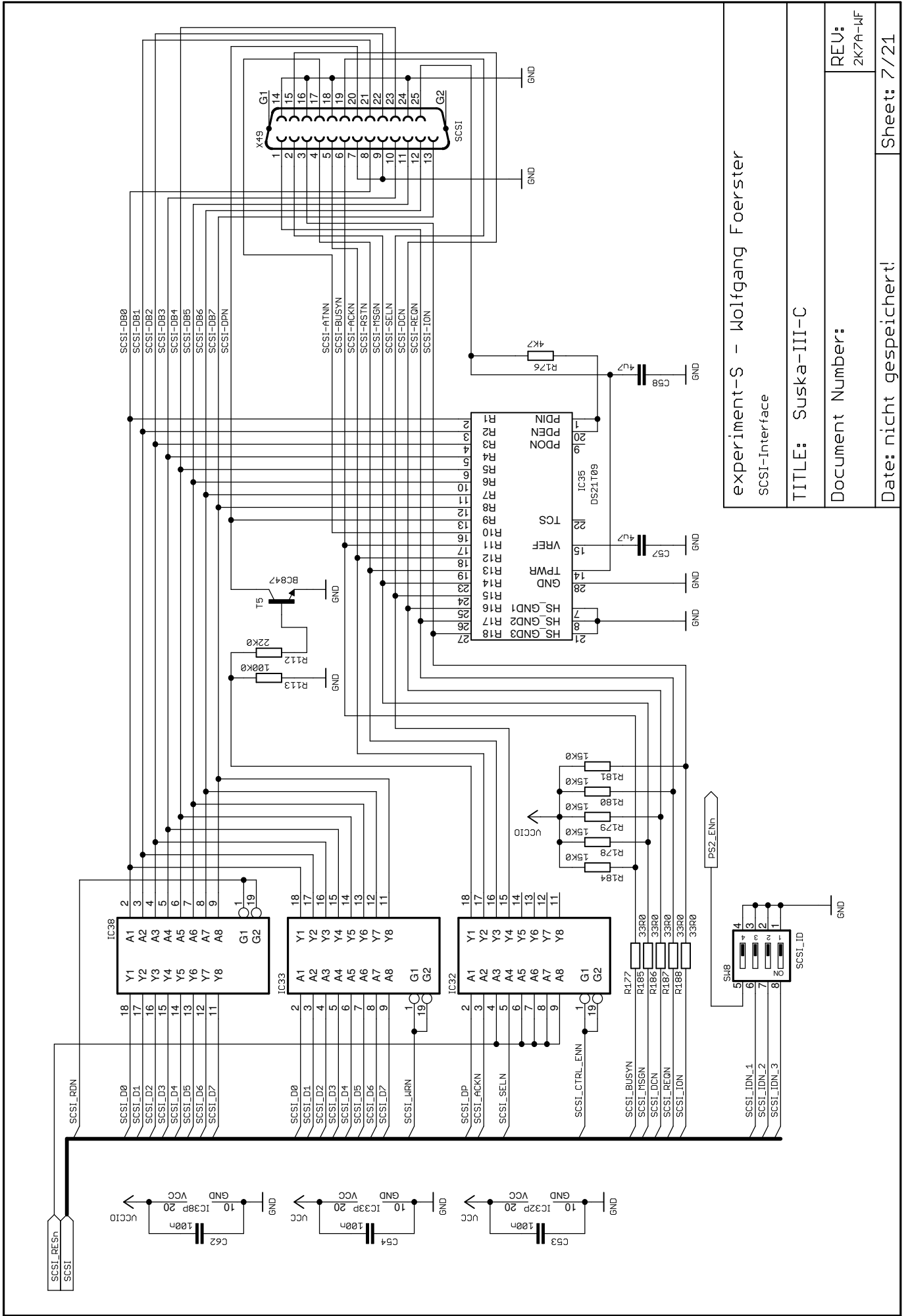
TITLE: Suska-III-C

Document Number:

REV:
2K7A-WF

Date: nicht gespeichert!

Sheet: 6/21



experiment-S - Wolfgang Foerster
SCSI-Interface

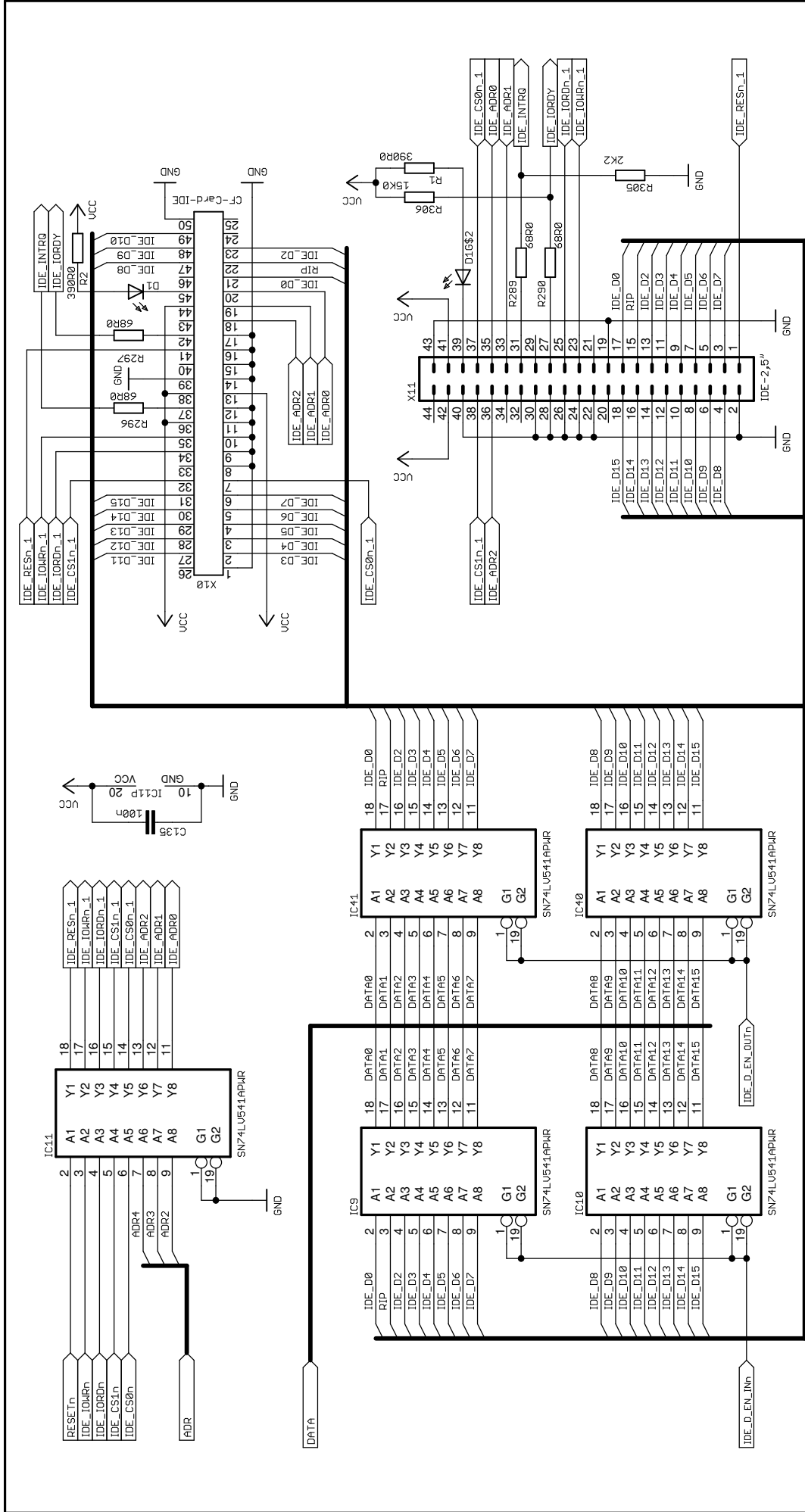
TITLE: Suska-III-C

Document Number:

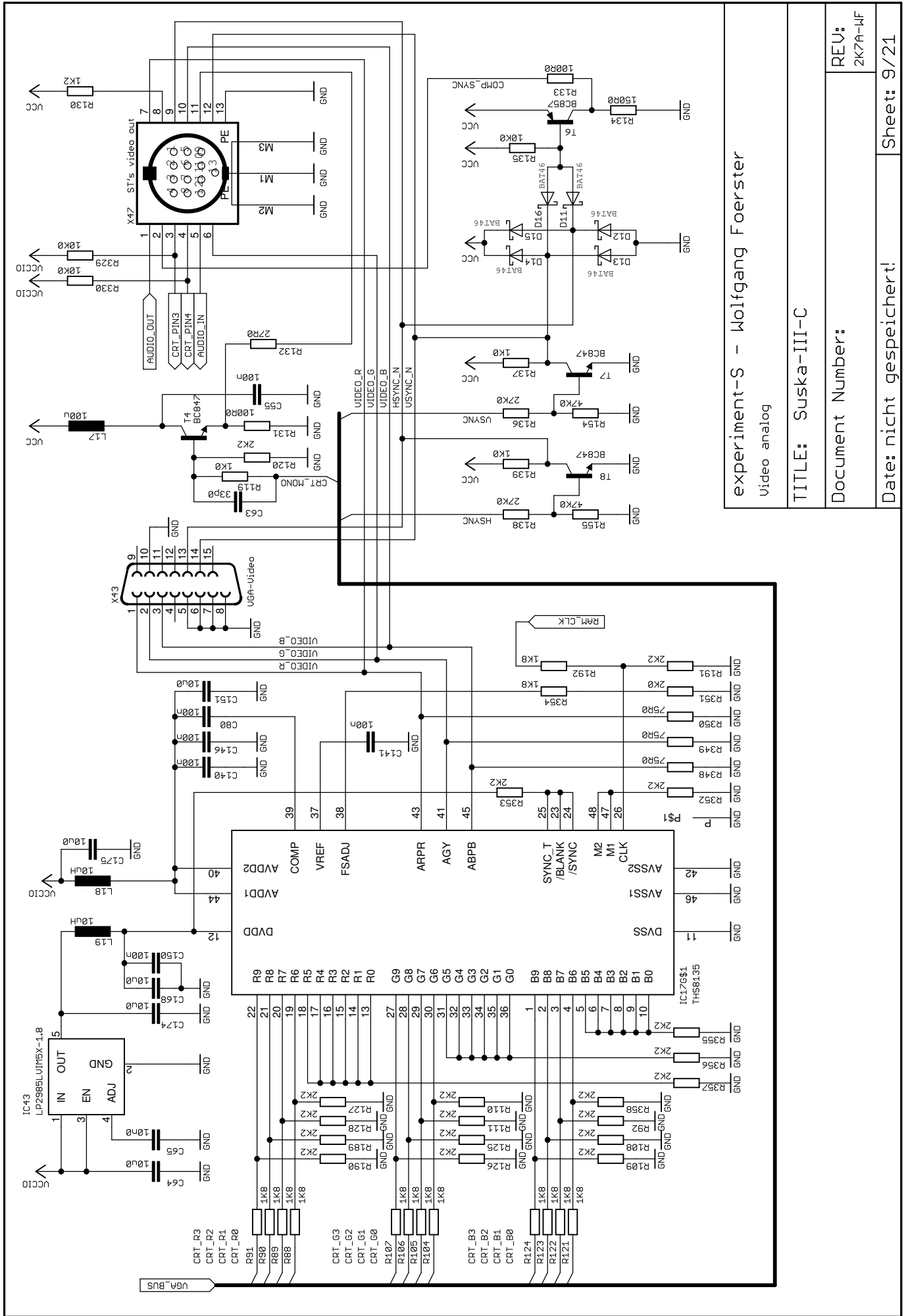
REV:
2K7A-WF

Date: nicht gespeichert!

Sheet: 7/21



experiment-S - Wolfgang Foerster	
IDE-Interface	
TITLE: Suska-III-C	
Document Number:	REV: 2K7A-WF
Date: nicht gespeichert!	Sheet: 8/21



experiment-S - Wolfgang Foerster
Video analog

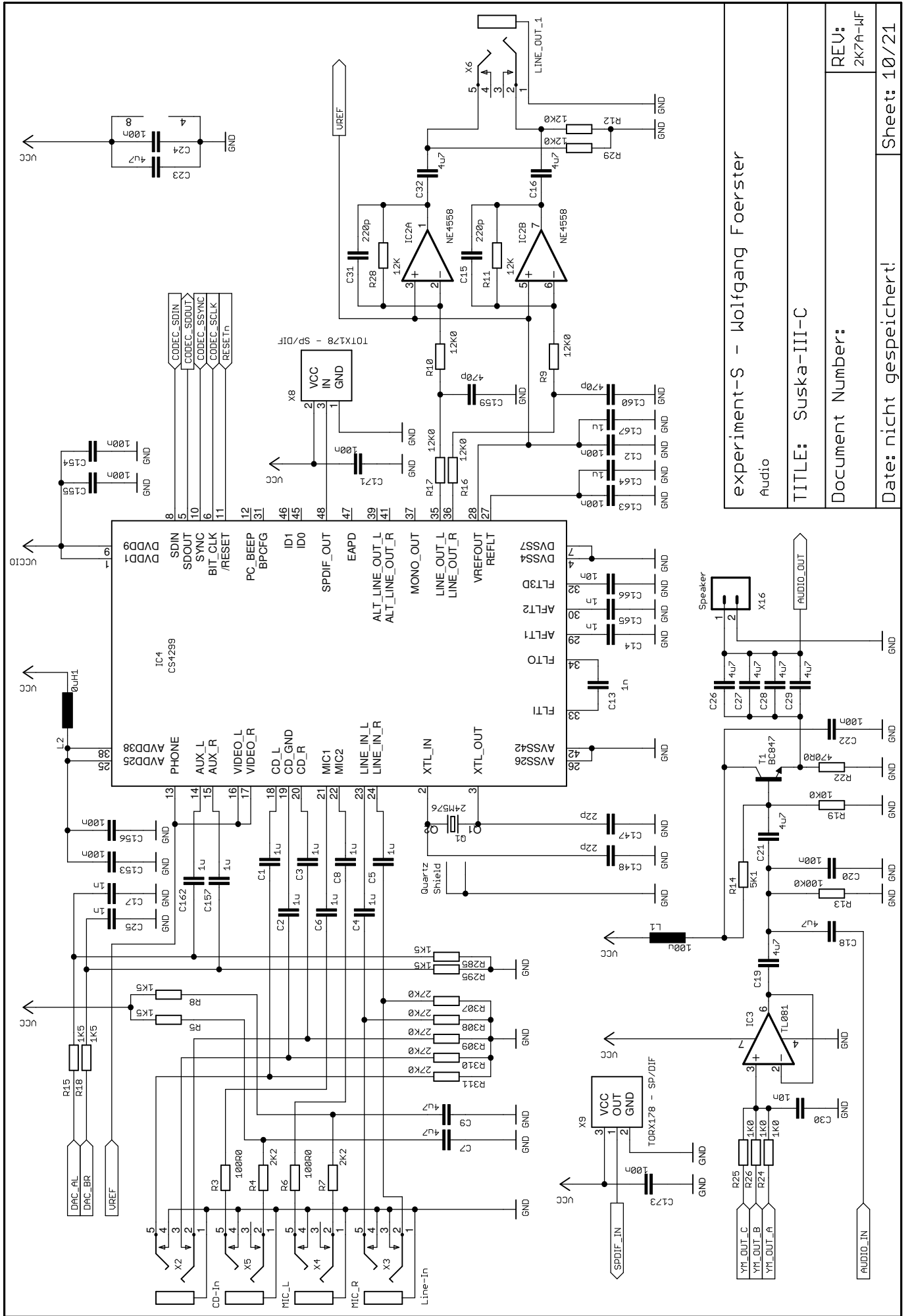
TITLE: Suska-III-C

Document Number:

REV:
2K7A-WF

Date: nicht gespeichert!

Sheet: 9/21



experiment-S - Wolfgang Foerster
Audio

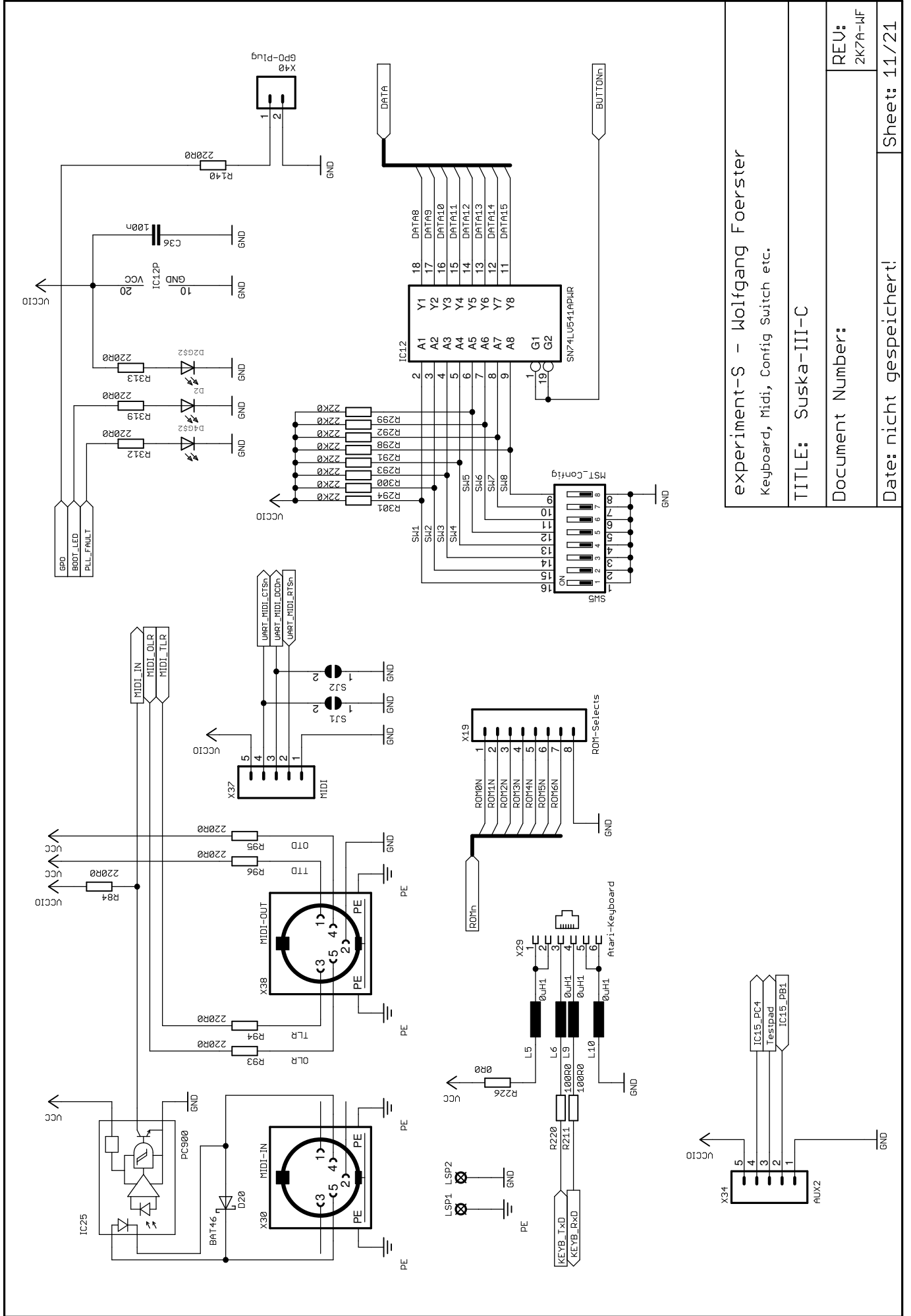
TITLE: Suska-III-C

Document Number:

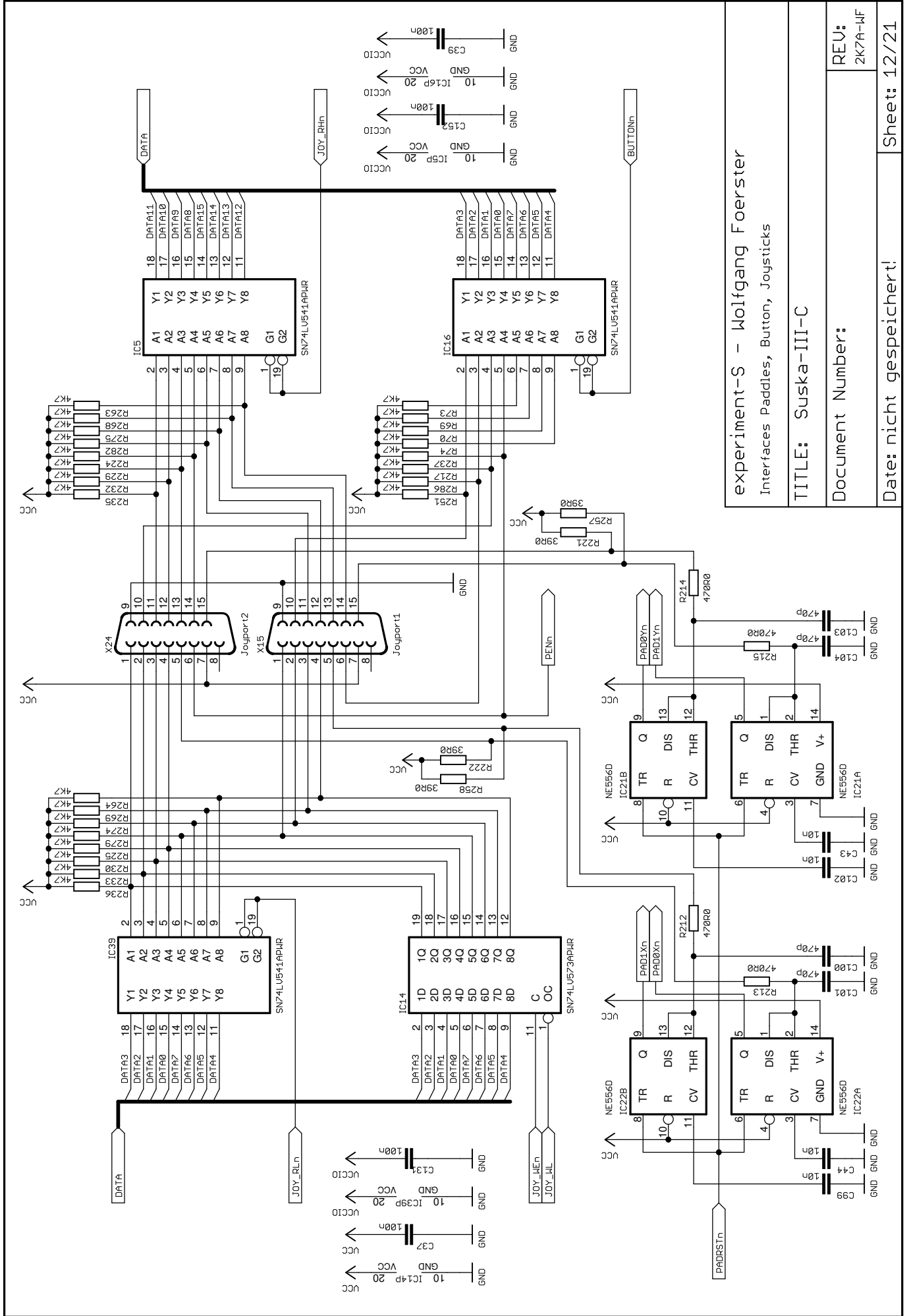
REV:
2K7A-WF

Date: nicht gespeichert!

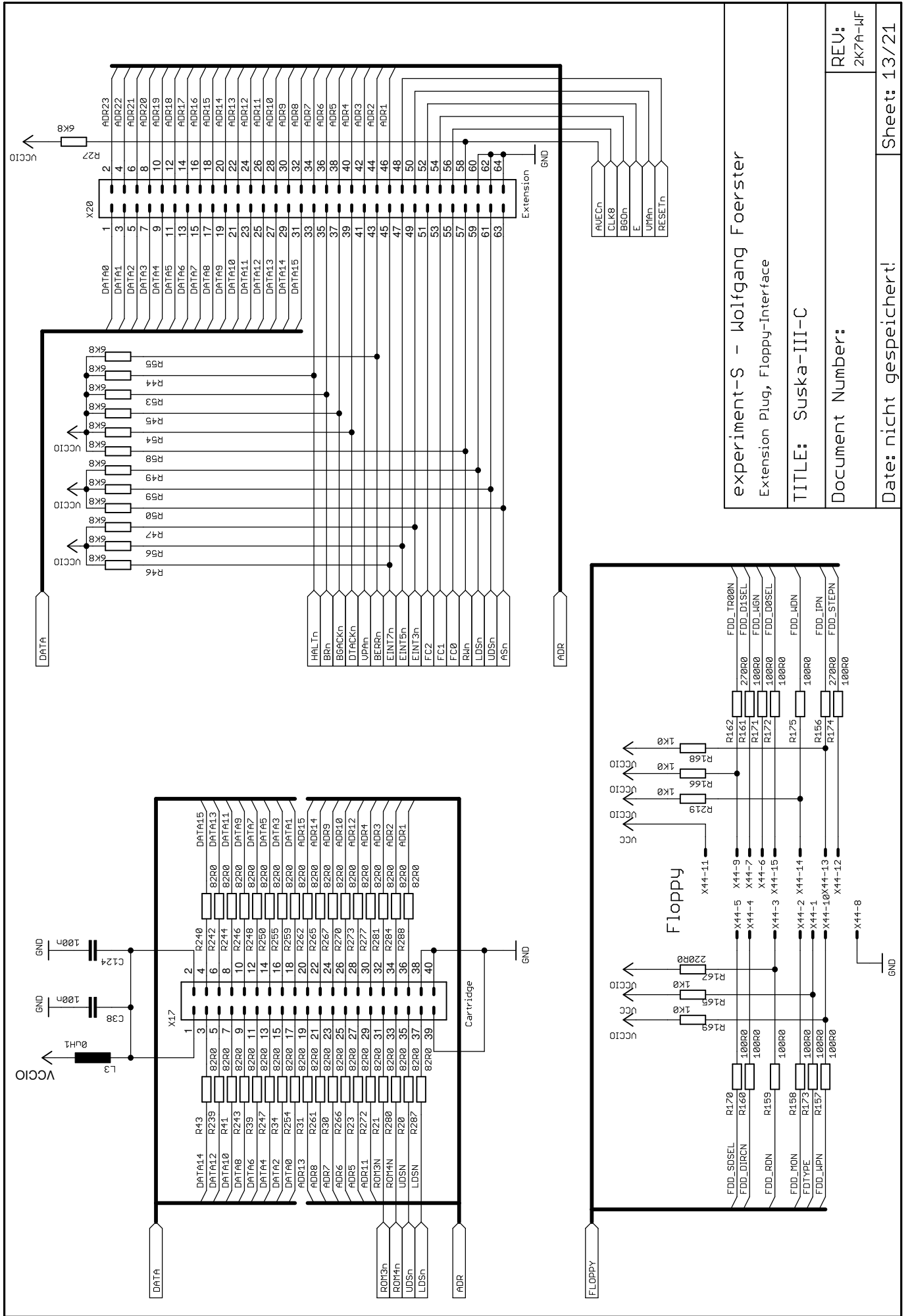
Sheet: 10/21



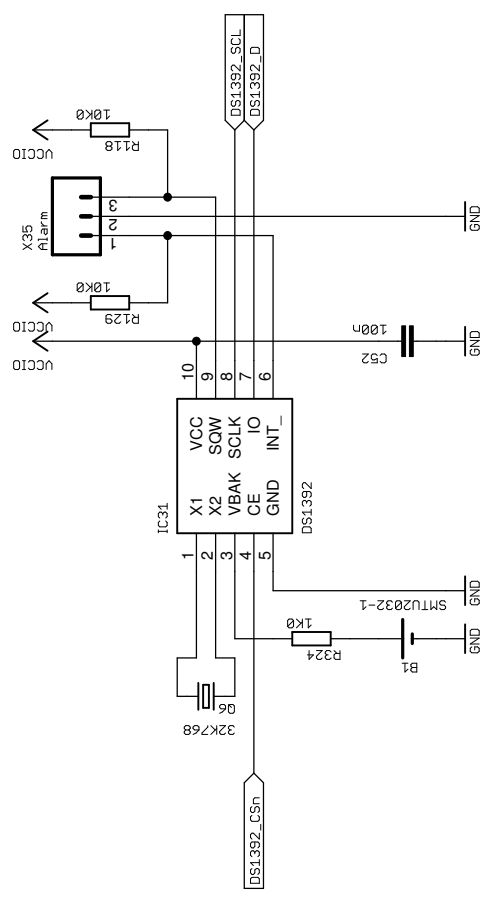
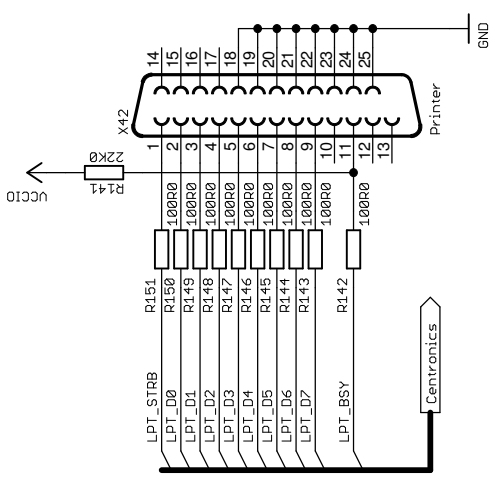
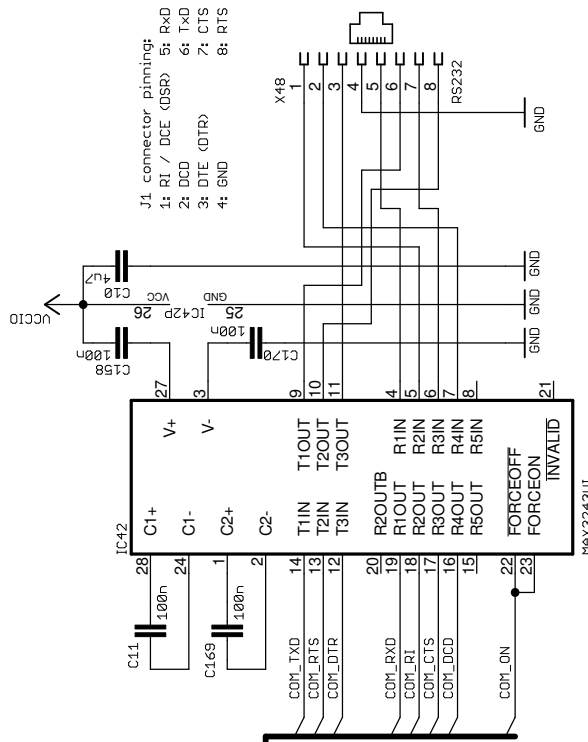
experiment-S - Wolfgang Foerster
 Keyboard, Midi, Config Switch etc.
 TITLE: Suska-III-C
 Document Number:
 REV: 2K7A-WF
 Date: nicht gespeichert!
 Sheet: 11/21



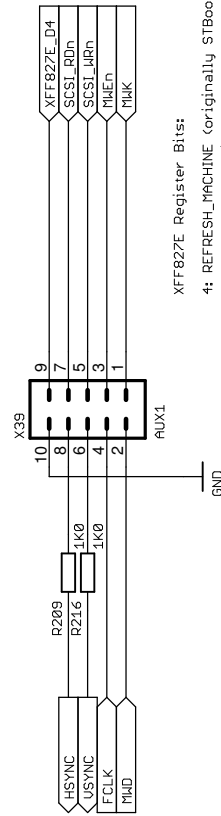
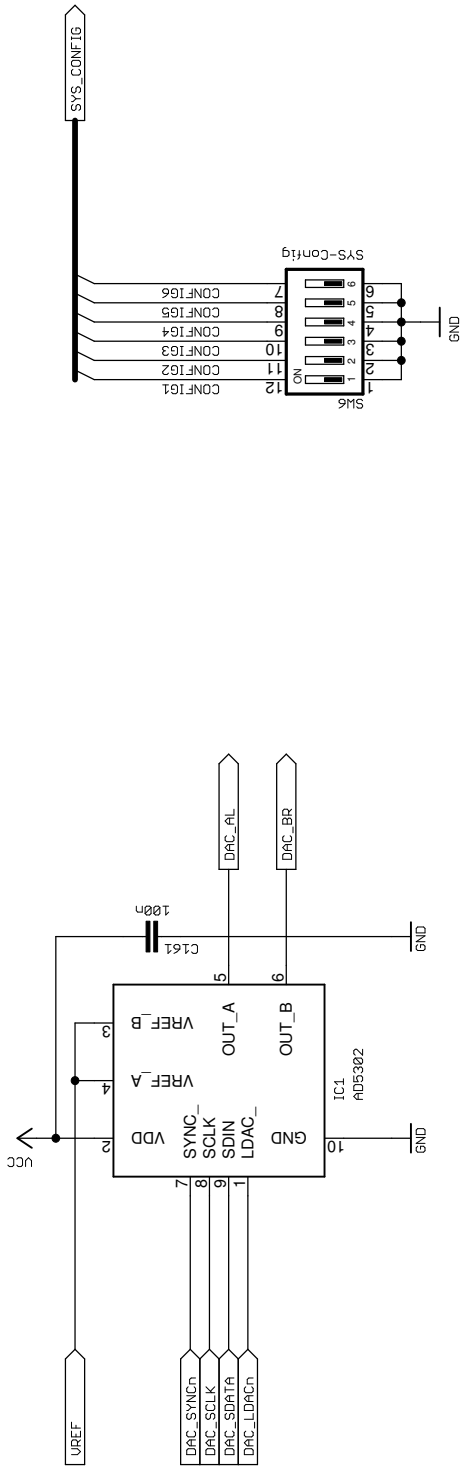
experiment-S - Wolfgang Foerster
 Interfaces Paddles, Button, Joysticks
 TITLE: Suska-III-C
 Document Number:
 REV: 2K7A-WF
 Date: nicht gespeichert!
 Sheet: 12/21



experiment-S - Wolfgang Foerster
 Extension Plug, Floppy-Interface
 TITLE: Suska-III-C
 Document Number:
 REV: 2K7A-WF
 Date: nicht gespeichert!
 Sheet: 13/21



experiment-S - Wolfgang Foerster	
v24-Interface, Centronics-Interface, Real Time Clock	
TITLE: Suska-III-C	REU: 2K7A-WF
Document Number:	
Date: nicht gespeichert!	Sheet: 14/21



XFF827E Register Bits:

- 4: REFRESH_MACHINE (originally STBook).
- 1: SHFT output (Shifter data stream control, STBook).
- 0: SHADOW chip off (STBook).

experiment-S - Wolfgang Foerster
Audio-DAC-Converter, Spares

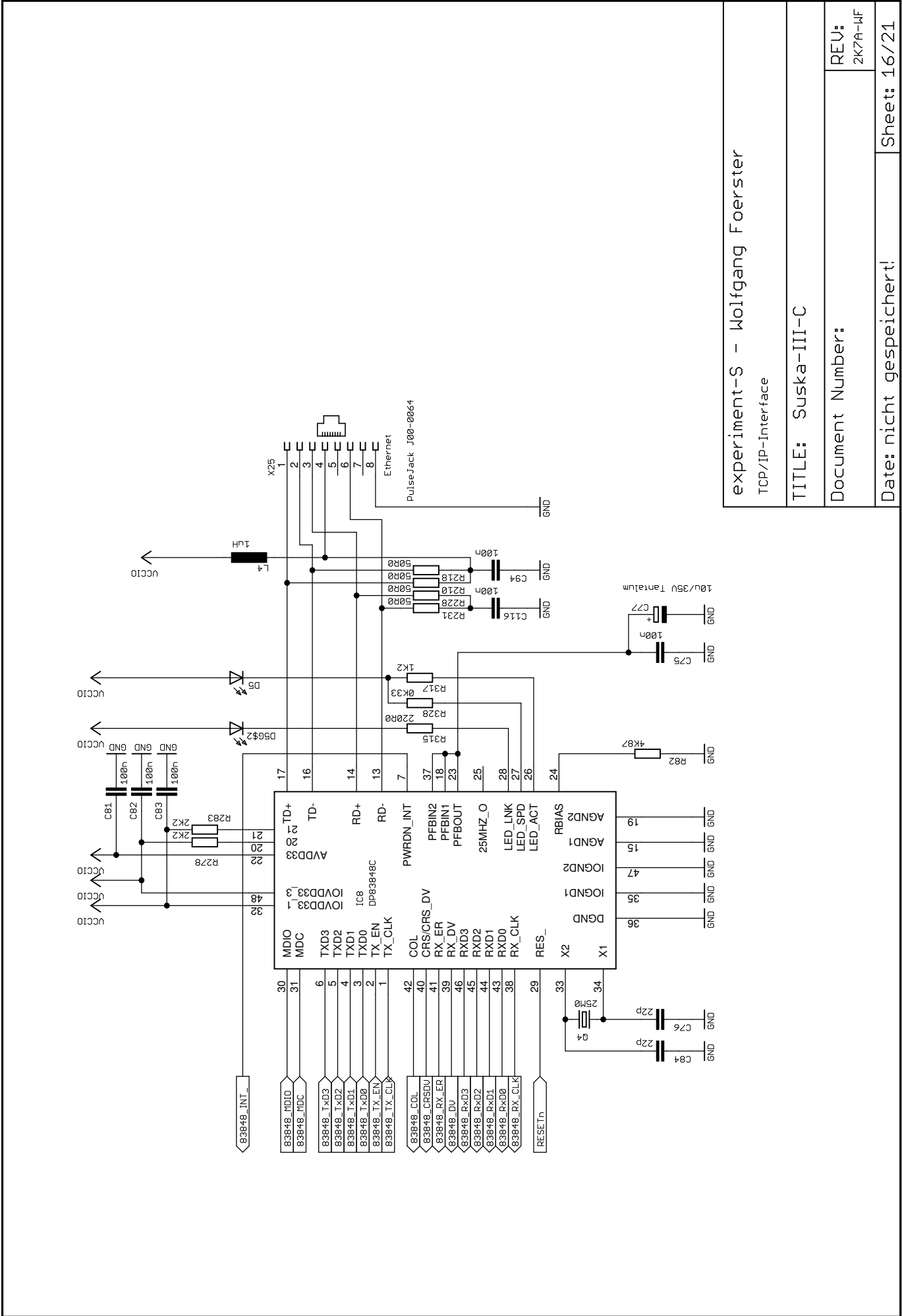
TITLE: Suska-III-C

Document Number:

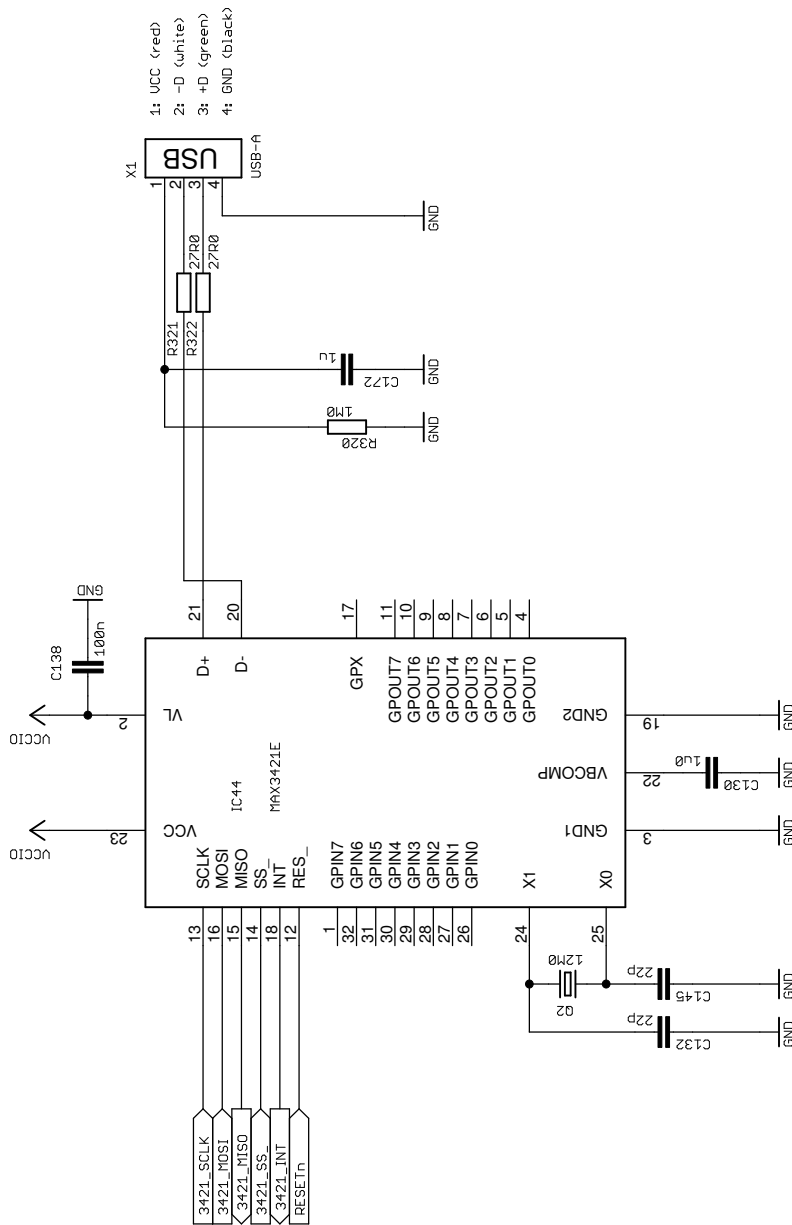
REV:
2K7A-WF

Date: nicht gespeichert!

Sheet: 15/21



experiment-S - Wolfgang Foerster	
TCP/IP-Interface	
TITLE: Suska-III-C	
Document Number:	REV: 2K7A-WF
Date: nicht gespeichert!	Sheet: 16/21



experiment-S - Wolfgang Foerster
 USB20 Host/Devive Interface

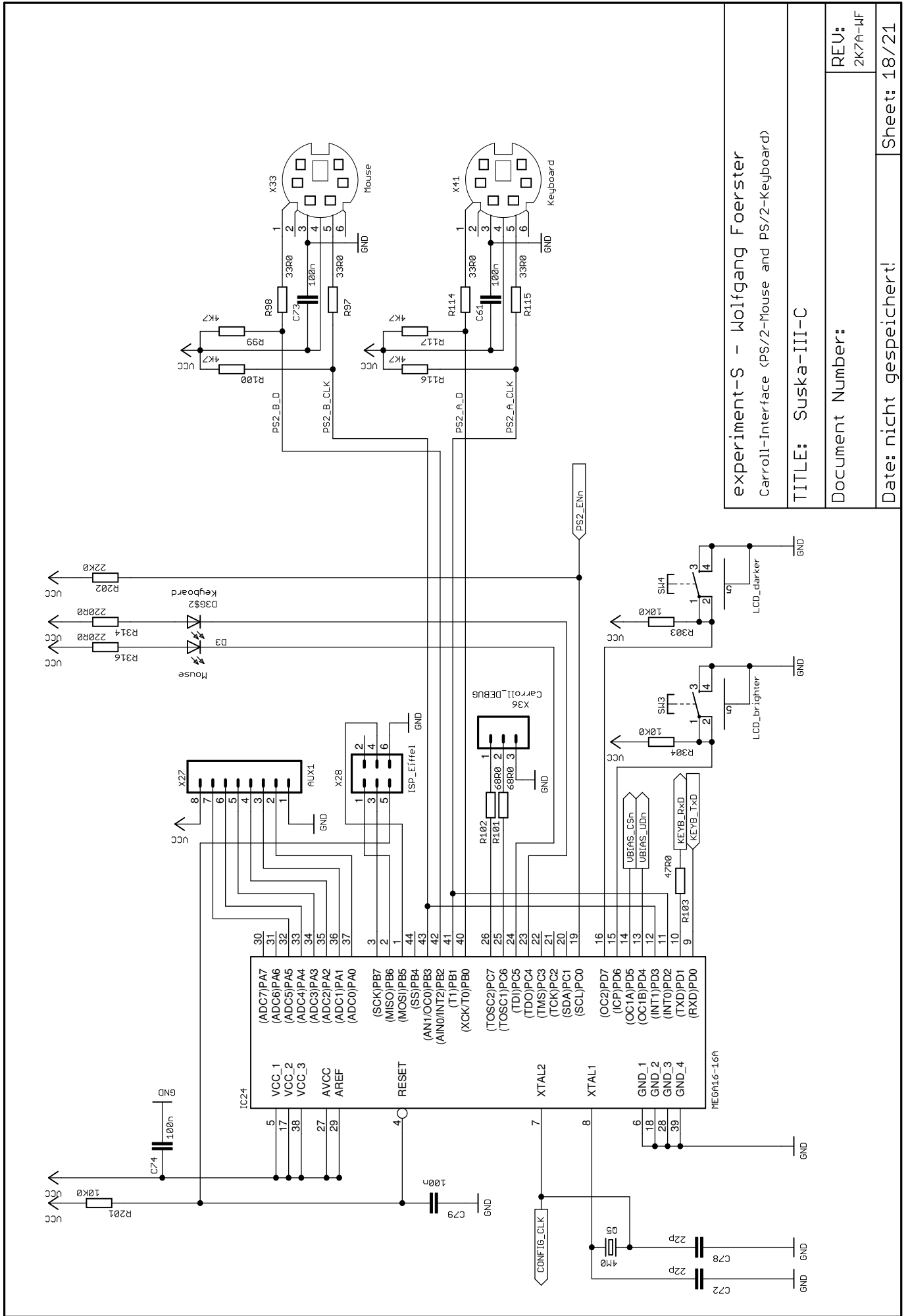
TITLE: Suska-III-C

Document Number:

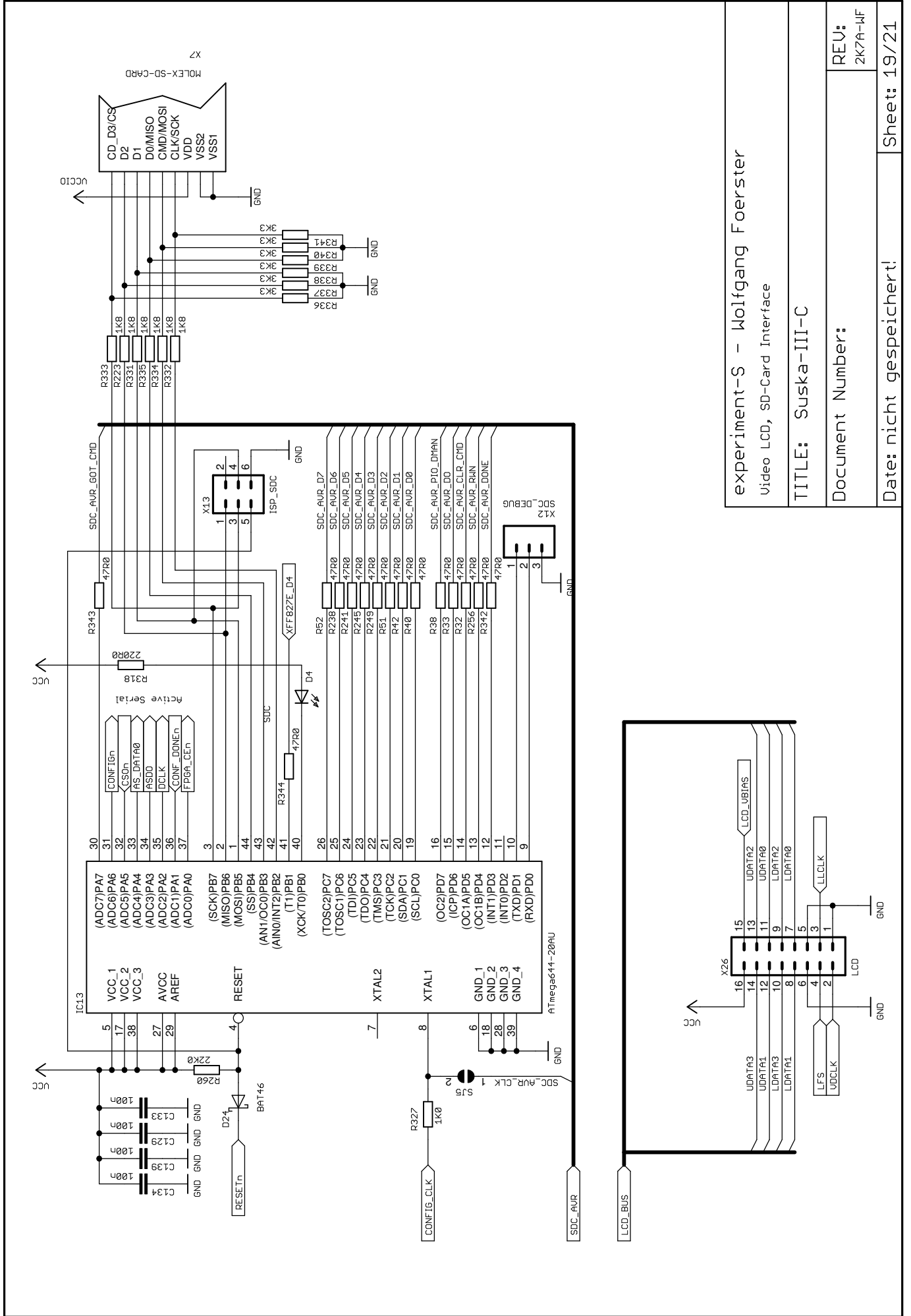
REV:
 2K7A-WF

Date: nicht gespeichert!

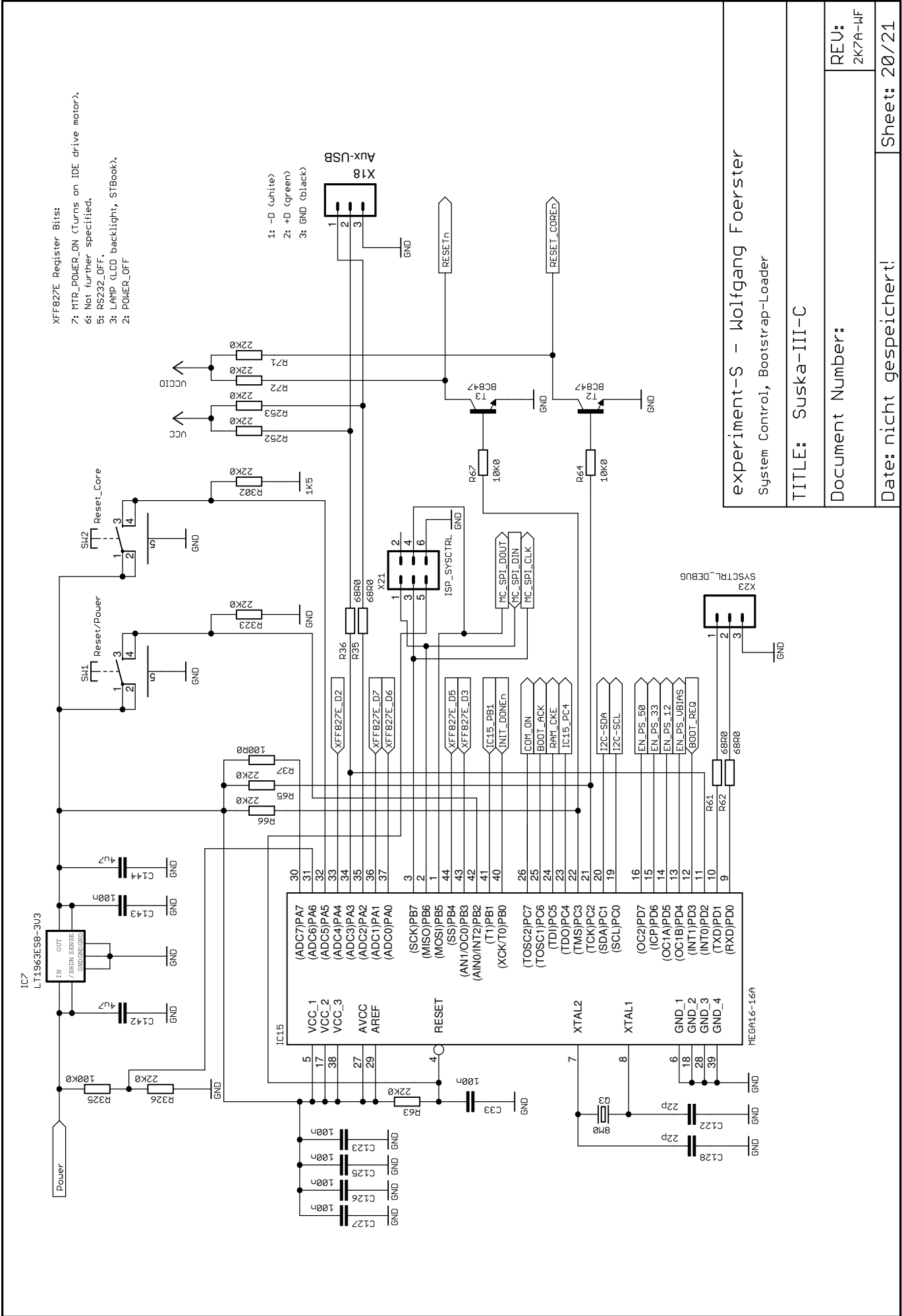
Sheet: 17/21



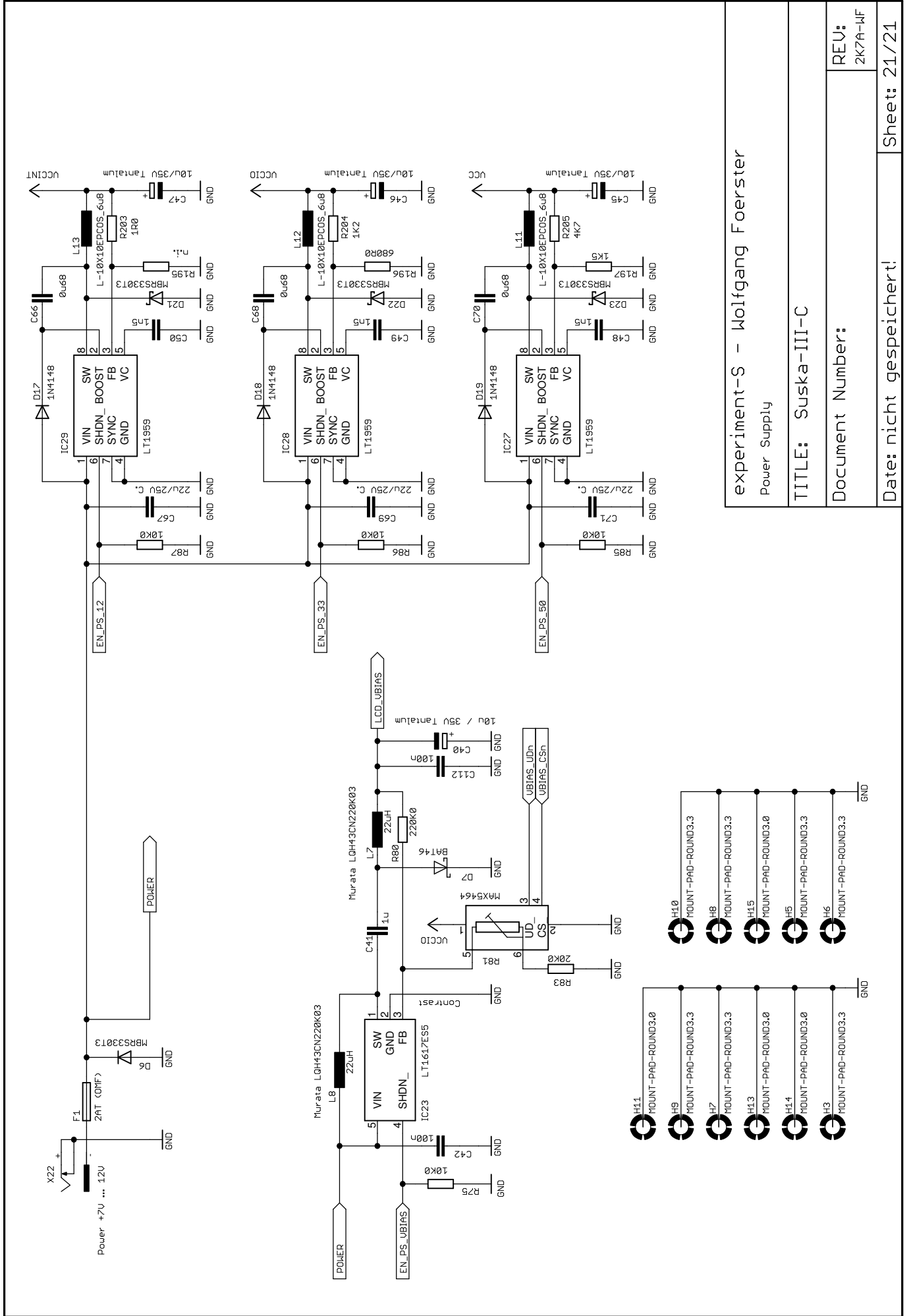
experiment-S - Wolfgang Foerster
 Carroll-Interface (PS/2-Mouse and PS/2-Keyboard)
 TITLE: Suska-III-C
 Document Number:
 Date: nicht gespeichert!
 REV: 2K7A-WF
 Sheet: 18/21



experiment-S - Wolfgang Foerster	
Video LCD, SD-Card Interface	
TITLE: Suska-III-C	REV: 2K7A-WF
Document Number:	
Date: nicht gespeichert!	Sheet: 19/21



experiment-S - Wolfgang Foerster
 System Control, Bootstrap-Loader
 TITLE: Suska-III-C
 Document Number:
 Date: nicht gespeichert!
 REV: 2K7A-WF
 Sheet: 20/21



experiment-S - Wolfgang Foerster
Power Supply

TITLE: Suska-III-C

Document Number:

REV:
2K7A-WF

Date: nicht gespeichert!

Sheet: 21/21