

IC1

PHDRSTN	M5	B1-/O1	R8	CH1_OUT
JOY_RLN	M6	B1-/O2	T1	BOOT_RE0
JOY_RLN	M7	B1-/O3	T2	BOOT_ACK
BUTTONN	M8	B1-/O4	T3	CONF1G1
SCSI_RSTN	N1	B1-/O5	T5	CONF1G2
MC_SPT_DIN	N2	B1-/O6	T6	XFF827E_D4
LDATA1	N3	B1-/O7	U1	XFF827E_D2
LDATA0	N4	B1-/O8	U2	MC_SPL_DOUT
JOY_MEN	N5	B1-/O9	U3	CONF1G3
JOY_LAL	N6	B1-/O10	U4	RAM_CLK
XFF827E_D3	P1	B1-/O11	V1	MC_SPL_CLK
XFF827E_D5	P2	B1-/O12	V2	CONF1G5
SCSI_RDN	P3	B1-/O13	V4	UDATA3
MMK	P4	B1-/O14	W1	UDATA2
MMEN	P5	B1-/O15	W2	UDATA1
SCSI_HRN	P6	B1-/O16	W3	CONF1G6
XFF827E_D6	R1	B1-/O17	W4	DAC_SYNCN
XFF827E_D7	R2	B1-/O18	W5	HDRON
MMD	R4	B1-/O19	Y1	UDATA0
CLK	R5	B1-/O20	Y2	LDATA3
DAC_SDATA	R6	B1-/O42	Y3	LDATA2
DAC_SCLK	R7	B1-/O44	Y4	DAC_LDACN

EP2C35F484

SCSI_DCN	A3	B3-/O1	C9	IDE_T0HRN
SCSI_BUSYN	A4	B3-/O2	C10	IDE_T0DRN
ACSI_RDN	A5	B3-/O3	D7	IDE_INTR0
SCSI_SELN	A6	B3-/O4	D8	IDE_INTR0
SCSI_DP	A7	B3-/O5	D9	83848_MDI0
SCSI_D1	A8	B3-/O6	D11	IDE_CS0N
SCSI_D3	A9	B3-/O7	E7	83848_RXD3
SCSI_D5	A10	B3-/O8	E8	SCSI_IDN_3
SCSI_D7	A11	B3-/O9	E9	SCSI_IDN_2
SCSI_REGN	B3	B3-/O28	E11	IDE_CS1N
SCSI_FISGN	B4	B3-/O10	F8	83848_RXD2
ACSI_HRN	B4	B3-/O11	F9	SCSI_IDN_1
SCSI_CTRL_ENN	B6	B3-/O12	F10	IDE_D_EN_INN
SCSI_ACKN	B7	B3-/O13	F11	IDE_D_EN_OUTN
SCSI_D0	B8	B3-/O14	G7	83848_RXD1
SCSI_D2	B9	B3-/O15	G11	SCSI_IDN
SCSI_D4	B10	B3-/O16	H7	83848_RXD0
SCSI_D6	B11	B3-/O17	H11	83848_RX_DU
83848_RX_CLK	C7	B3-/O18		
		B3-/O19		

EP2C35F484

B1-/O23	R8	CH1_OUT
B1-/O24	T1	BOOT_RE0
B1-/O25	T2	BOOT_ACK
B1-/O26	T3	CONF1G1
B1-/O27	T5	CONF1G2
B1-/O28	T6	XFF827E_D4
B1-/O29	U1	XFF827E_D2
B1-/O30	U2	MC_SPL_DOUT
B1-/O31	U3	CONF1G3
B1-/O32	U4	RAM_CLK
B1-/O33	V1	MC_SPL_CLK
B1-/O34	V2	CONF1G5
B1-/O35	V4	UDATA3
B1-/O36	W1	UDATA2
B1-/O37	W2	UDATA1
B1-/O38	W3	CONF1G6
B1-/O39	W4	DAC_SYNCN
B1-/O40	W5	HDRON
B1-/O41	Y1	UDATA0
B1-/O42	Y2	LDATA3
B1-/O43	Y3	LDATA2
B1-/O44	Y4	DAC_LDACN

EP2C35F484

IC1G\$8

RAM_D0H1L	R11	B8-/O1	AA3	FDD_LDUN
BOOT_LED	T7	B8-/O2	AA4	FDD_MPN
RAM_D0H0	T8	B8-/O3	AA5	FDD_RDN
RAM_D0H0L	T11	B8-/O4	AA6	FDD_DISEL
PLL_FAULT	U8	B8-/O5	AA7	LPT_BSY
RAM_RAS1N	U9	B8-/O6	AA8	LPT_D6
RAM_CAS0N	U10	B8-/O7	AA9	LPT_D4
KEYB_RXD	V8	B8-/O8	AA10	LPT_D0
KEYB_TXD	V9	B8-/O8	AA11	LPT_D0
RAM_RAS0N	V11	B8-/O9	AB3	FDD_IPN
DS132Z_CSN	W7	B8-/O10	AB4	FDD_MON
DS132Z_SCL	W8	B8-/O11	AB5	FDD_DIRCN
RAM_CAS1N	W11	B8-/O12	AB6	RESETN
FDD_SDSEL	Y5	B8-/O14	AB7	LPT_D7
FDD_MGN	Y6	B8-/O15	AB8	LPT_D5
FDD_D0SEL	Y7	B8-/O16	AB9	LPT_D3
FDTYPE	Y9	B8-/O17	AB10	LPT_D1
FDD_STEPN	Y10	B8-/O18	AB11	LPT_STRB
		B8-/O19		

EP2C35F484

CS0N  
ASD0  
Configuration-  
signals

IC1G\$2

CRI_H0N0	C1	B2-/O1	G2	CRI_R4
CRI_B4	C2	B2-/O2	G3	CD6
CS0N	C3	B2-/O3	G5	CD5
ASD0	C4	B2-/O4	G6	MIDI_TLR
CRI_B5	D1	B2-/O23	H1	CRI_R5
CRI_B6	D2	B2-/O24	H2	CRI_R6
CD0	D3	B2-/O25	H3	HSYNC
H0IN1N	D4	B2-/O26	H4	MIDI_QLR
S0C_AVR_CLK	D5	B2-/O27	H5	CD7
HDRACKN	D6	B2-/O28	H6	MIDI_IN
CRI_B7	E1	B2-/O29	J1	CRI_B7
CRI_G4	E2	B2-/O30	J2	USYNC
CD1	E3	B2-/O31	J3	83848_TXD1
CD3	E4	B2-/O32	J4	SPDIF_IN
CRI_G5	F1	B2-/O33	J5	83848_TXD0
CRI_G6	F2	B2-/O34	J6	UART_MIDI_P1SN
CD2	F3	B2-/O35	L7	UART_MIDI_DCCN
CD4	F4	B2-/O36	L8	UART_MIDI_C1SN
CRI_G7	G1	B2-/O37		

EP2C35F484

Inventronik GmbH - Wolfgang Foerster  
FP6A (part1)

TITLE: Suska-III-C\_Series-1

Document Number:

REV: 2K9A-WF

Date: 09.09.09 15:09

Sheet: 1/21

IC16\$4

ADR15	A13	B4-I/O1	C14	ADR18	H16	ROM4N
ADR16	A14	B4-I/O2	C16	ADR20	H17	ROM3N
ADR17	A15	B4-I/O3	C17	ADR22	H18	ROM2N
ADR18	A16	B4-I/O4	C18	ADR21	H19	COM_RXD
ADR19	A17	B4-I/O5	D14	33848_CRS_DU	H21	DATA11
ADR20	A18	B4-I/O6	D15	ADR19	H22	DATA10
ADR21	A19	B4-I/O7	D16	ADR23	J15	ROM1N
ADR22	A20	B4-I/O8	E14	33848_TX_CLK	J17	COM_TXD
ADR23	B13	B4-I/O9	E15	33848_COL	J18	COM_RI
ADR24	B14	B4-I/O10	F12	FLASH_OEN	J19	COM_RTS
ADR25	B15	B4-I/O11	F13	FLASH_CEN	J20	COM_CTS
ADR26	B16	B4-I/O12	F14	FLASH_WEN	J21	DATA13
ADR27	B17	B4-I/O13	F15	FLASH_ADR19	J22	DATA12
ADR28	B18	B4-I/O14	G16	FLASH_ADR18	K17	AUECN
ADR29	B19	B4-I/O15	H14	33848_INT_	K18	COM_DTR
ADR30	B20	B4-I/O16	H15	FLASH_RDY	K20	COM_DCD
ADR31	C13	B4-I/O17	J14	33848_RX_ER	K21	DATA15
ADR32					K22	DATA14
ADR33					L17	ROM4N
ADR34					L18	ROM5N
ADR35					L19	ROM6N

EP2C35F484

IC16\$5

3421_M0SI	C19	B5-I/O1	R14	RAM_BA0	AA13	RAM_D15
33848_TX_EN	C20	B5-I/O2	R15	RAM_ADR3	AA14	RAM_D13
DATA1	C21	B5-I/O3	R16	RAM_ADR2	AA15	RAM_D11
DATA0	C22	B5-I/O4	T16	RAM_ADR1	AA16	RAM_D9
3421_M1S0	D19	B5-I/O5	U13	RAM_D1	AA17	RAM_ADR12
33848_TXD2	D20	B5-I/O6	U14	RAM_KEN	AA18	RAM_ADR9
DATA3	D21	B5-I/O7	U15	RAM_D0M1H	AA19	RAM_ADR7
DATA2	D22	B5-I/O8	V14	RAM_BA1	AA20	RAM_ADR5
3421_SCLK	E18	B5-I/O9	V15	RAM_ADR0	AB12	CONF164
3421_SS_	E19	B5-I/O10	W14	RAM_ADR10	AB13	RAM_D14
33848_TXD3	E20	B5-I/O11	W15	RAM_D4	AB14	RAM_D12
DATA5	E21	B5-I/O12	Y13	RAM_D5	AB15	RAM_D10
DATA4	E22	B5-I/O13	Y14	RAM_D2	AB16	RAM_D8
33848_MDC	F20	B5-I/O14	Y16	RAM_D3	AB17	RAM_ADR11
DATA7	F21	B5-I/O15	Y17	RAM_D6	AB18	RAM_ADR8
DATA6	F22	B5-I/O16	AA12	RAM_D7	AB19	RAM_ADR6
CODEC_SCLK	G17	B5-I/O17		RAM_D0	AB20	RAM_ADR4
CODEC_SDIN	G18	B5-I/O18				
3421_INT	G20	B5-I/O19				
DATA9	G21	B5-I/O20				
DATA8	G22	B5-I/O21				

EP2C35F484

IC16\$7

RAM_BA0	R14	B7-I/O18	AA13	RAM_D15
RAM_ADR3	R15	B7-I/O19	AA14	RAM_D13
RAM_ADR2	R16	B7-I/O20	AA15	RAM_D11
RAM_ADR1	T16	B7-I/O21	AA16	RAM_D9
RAM_D1	U13	B7-I/O22	AA17	RAM_ADR12
RAM_KEN	U14	B7-I/O23	AA18	RAM_ADR9
RAM_D0M1H	U15	B7-I/O24	AA19	RAM_ADR7
RAM_BA1	V14	B7-I/O25	AA20	RAM_ADR5
RAM_ADR0	V15	B7-I/O26	AB12	CONF164
RAM_ADR10	W14	B7-I/O27	AB13	RAM_D14
RAM_D4	W15	B7-I/O28	AB14	RAM_D12
RAM_D5	W16	B7-I/O29	AB15	RAM_D10
RAM_D2	Y13	B7-I/O30	AB16	RAM_D8
RAM_D3	Y14	B7-I/O31	AB17	RAM_ADR11
RAM_D6	Y16	B7-I/O32	AB18	RAM_ADR8
RAM_D7	Y17	B7-I/O33	AB19	RAM_ADR6
RAM_D0	AA12	B7-I/O34	AB20	RAM_ADR4

EP2C35F484

Inventronik GmbH - Wolfgang Foerster

FP6A (part 2)

TITLE: Suska-III-C\_Series-1

Document Number:

REV: 2K9A-WF

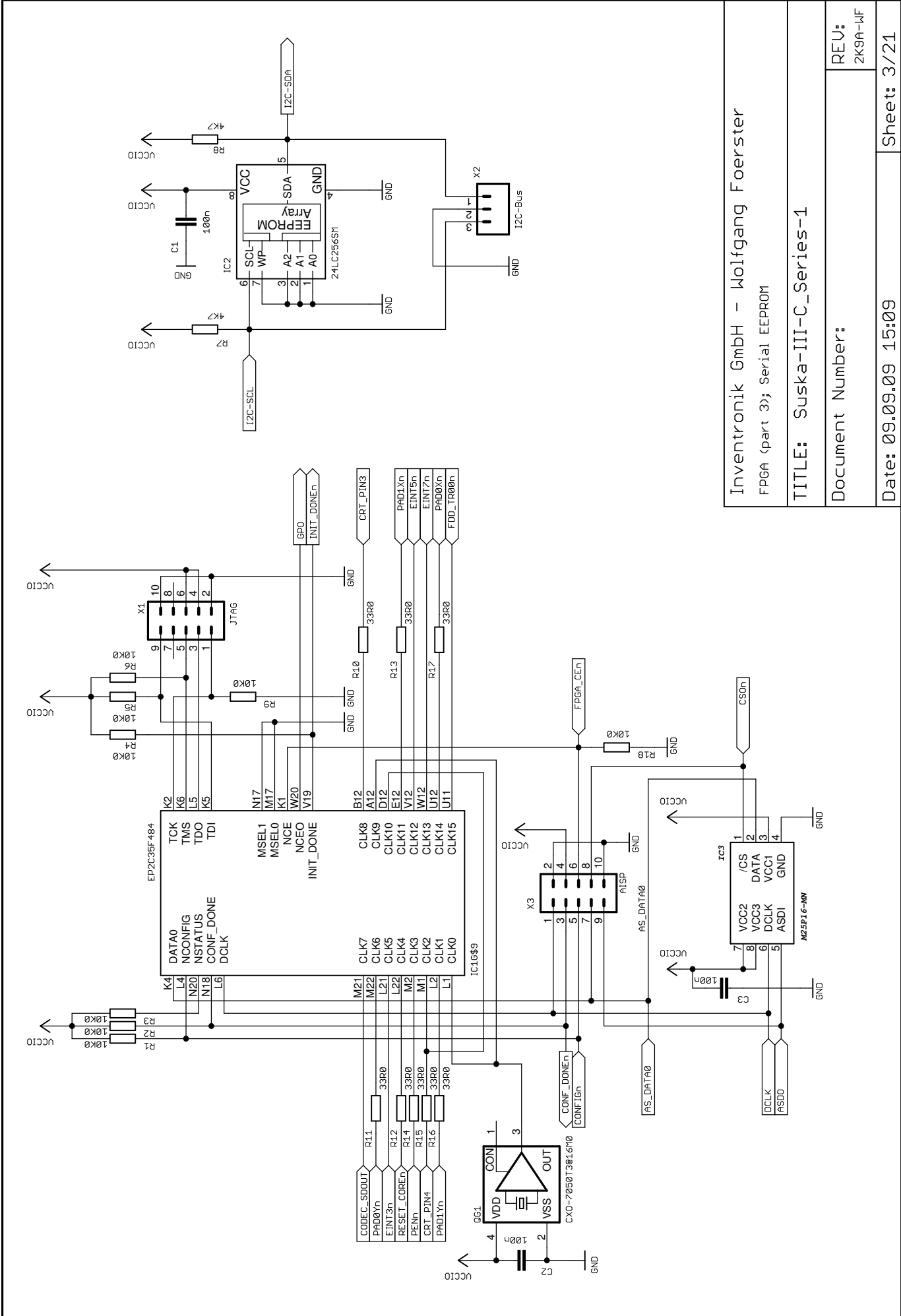
Date: 09.09.09 15:09

Sheet: 2/21

IC16\$6

LFS	M15	B6-I/O1	T18	SDC_AVR_PID_DMAN	B6-I/O21
LLCLK	M16	B6-I/O2	T21	B6ACKN	B6-I/O22
CLK_AUX	M18	B6-I/O3	T22	BRN	B6-I/O23
CODEC_SSYNC	M19	B6-I/O4	U18	SDC_AVR_DO	B6-I/O24
UDCLK	N15	B6-I/O5	U19	SDC_AVR_CLR_CHD	B6-I/O25
RUN	N21	B6-I/O6	U20	SDC_AVR_RHN	B6-I/O26
BERRN	N22	B6-I/O7	U21	UPRN	B6-I/O27
SDC_AVR_D7	P15	B6-I/O8	U22	DTACKN	B6-I/O28
SDC_AVR_D6	P17	B6-I/O9	V20	SDC_AVR_DONE	B6-I/O29
SDC_AVR_D5	P18	B6-I/O10	V21	FC1	B6-I/O30
SDC_AVR_D4	P19	B6-I/O11	W18	FC2	B6-I/O31
SDC_AVR_D3	P20	B6-I/O12	W21	UMAN	B6-I/O32
LDSN	P21	B6-I/O13	W22	FC0	B6-I/O33
LDSN	P22	B6-I/O14	Y18	Y1_OUT_A	B6-I/O34
SDC_AVR_D2	R17	B6-I/O15	Y19	Y1_OUT_B	B6-I/O35
SDC_AVR_D1	R18	B6-I/O16	Y20	Y1_OUT_C	B6-I/O36
SDC_AVR_D0	R19	B6-I/O17	Y21	F	B6-I/O37
HDCSN	R20	B6-I/O18	Y22	B6GN	B6-I/O38
HALTN	R21	B6-I/O19			B6-I/O39
ASN	R22	B6-I/O20			

EP2C35F484



Inventronik GmbH – Wolfgang Foerster  
 FPGA (part 3); Serial EEPROM

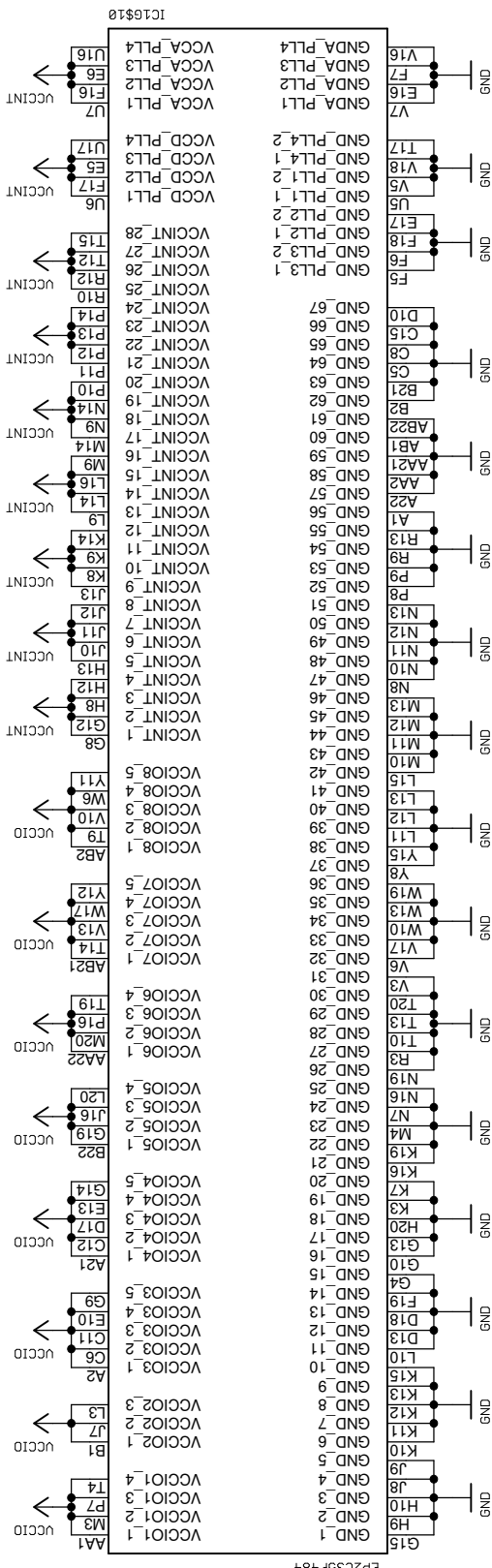
TITLE: Suska-III-C-Series-1

Document Number:

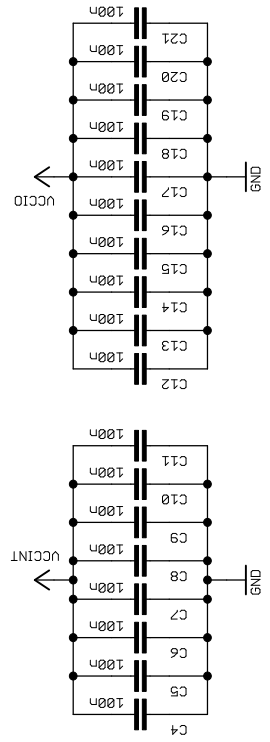
REV:  
 2K9A-WF

Date: 09.09.09 15:09

Sheet: 3/21



EP2C35F484



Inventronik GmbH - Wolfgang Foerster  
 FPG6 (part 4)

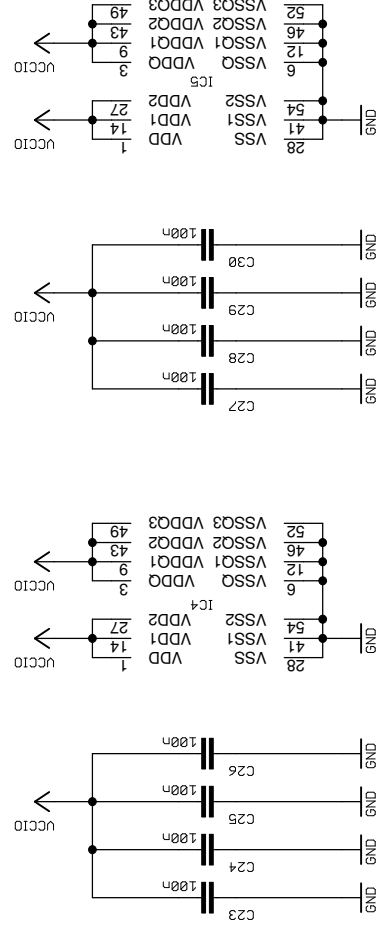
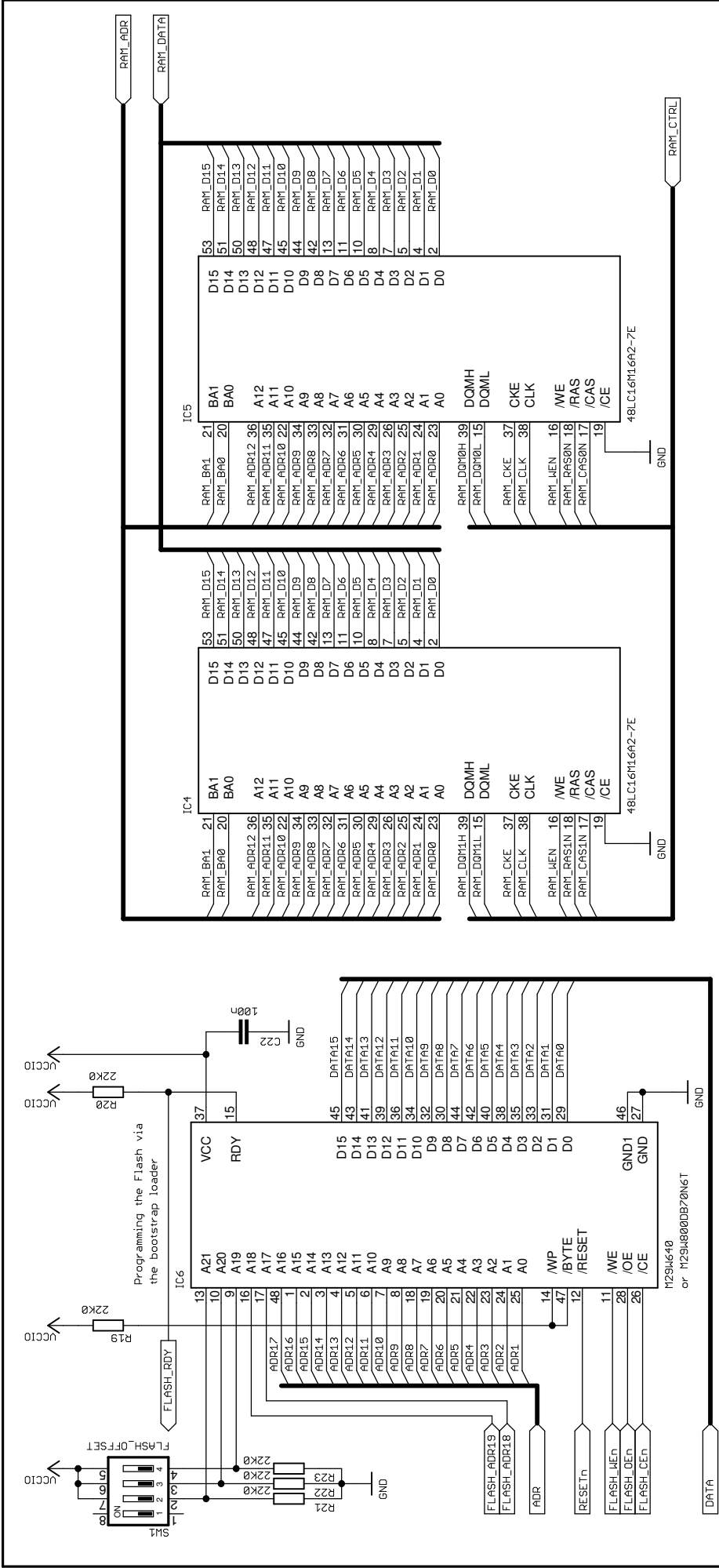
TITLE: Suska-III-C-Series-1

Document Number:

REV:  
2K9A-WF

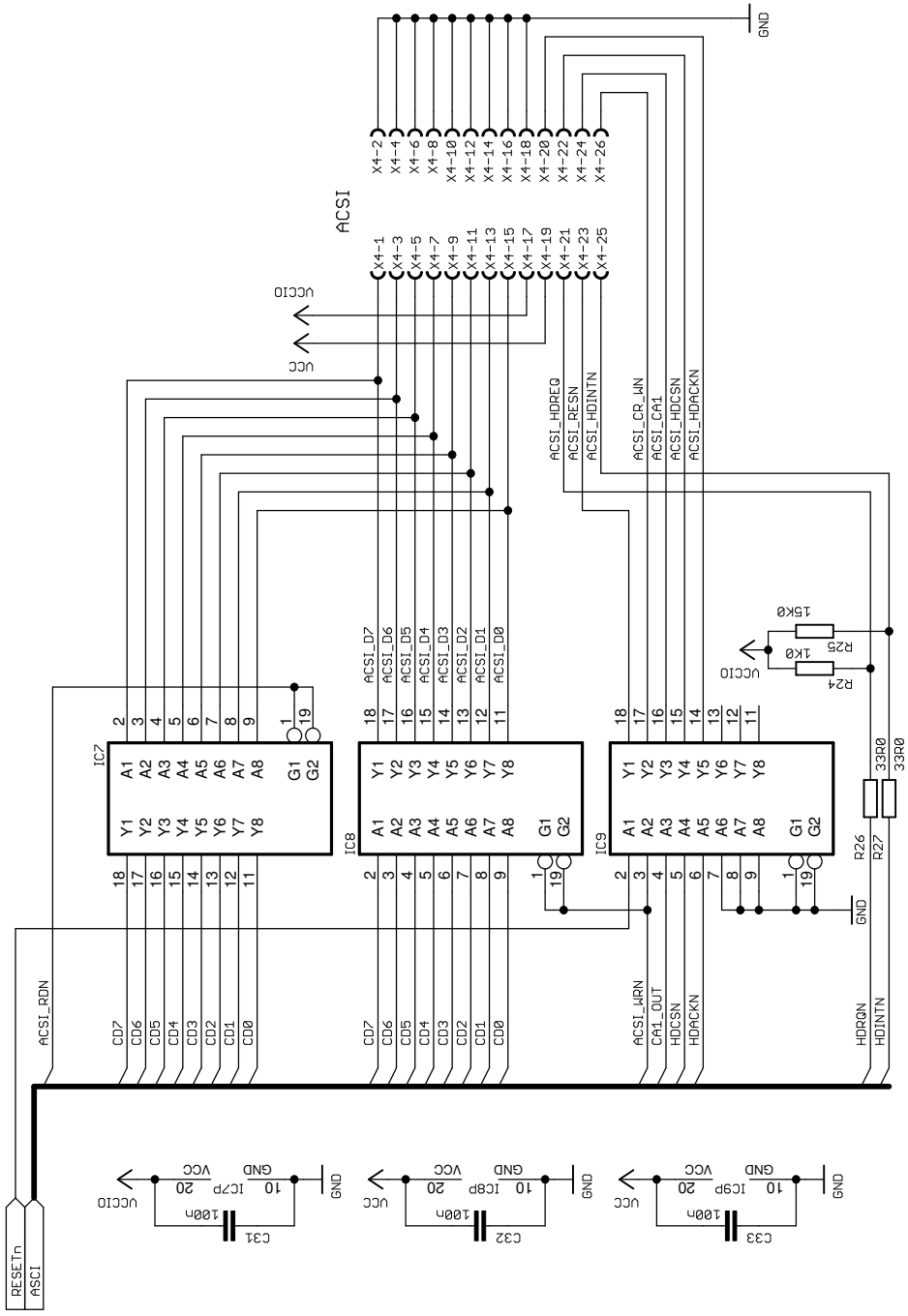
Date: 09.09.09 15:09

Sheet: 4/21



Inventronik GmbH – Wolfgang Foerster  
 Operating System Flash Device, SDRAMs  
 TITLE: Suska-III-C\_Series-1  
 Document Number:  
 Date: 09.09.09 15:09  
 Sheet: 5/21

REV:  
 2K9A-WF



Inventronik GmbH – Wolfgang Foerster  
 ACSI-Interface

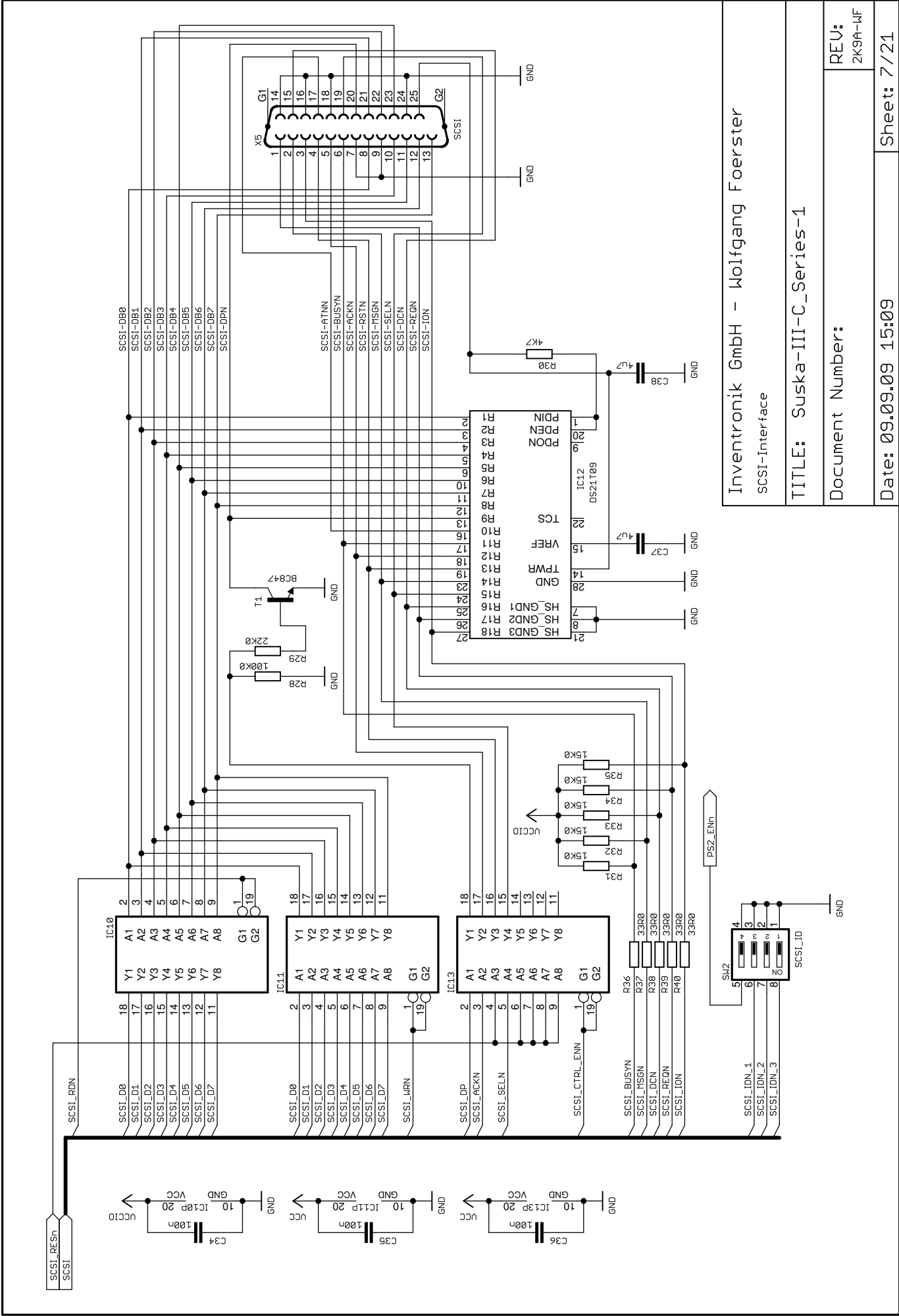
TITLE: Suska-III-C-Series-1

Document Number:

REV:  
 2K9A-WF

Date: 09.09.09 15:09

Sheet: 6/21



Inventronik GmbH - Wolfgang Foerster  
 SCSI-Interface

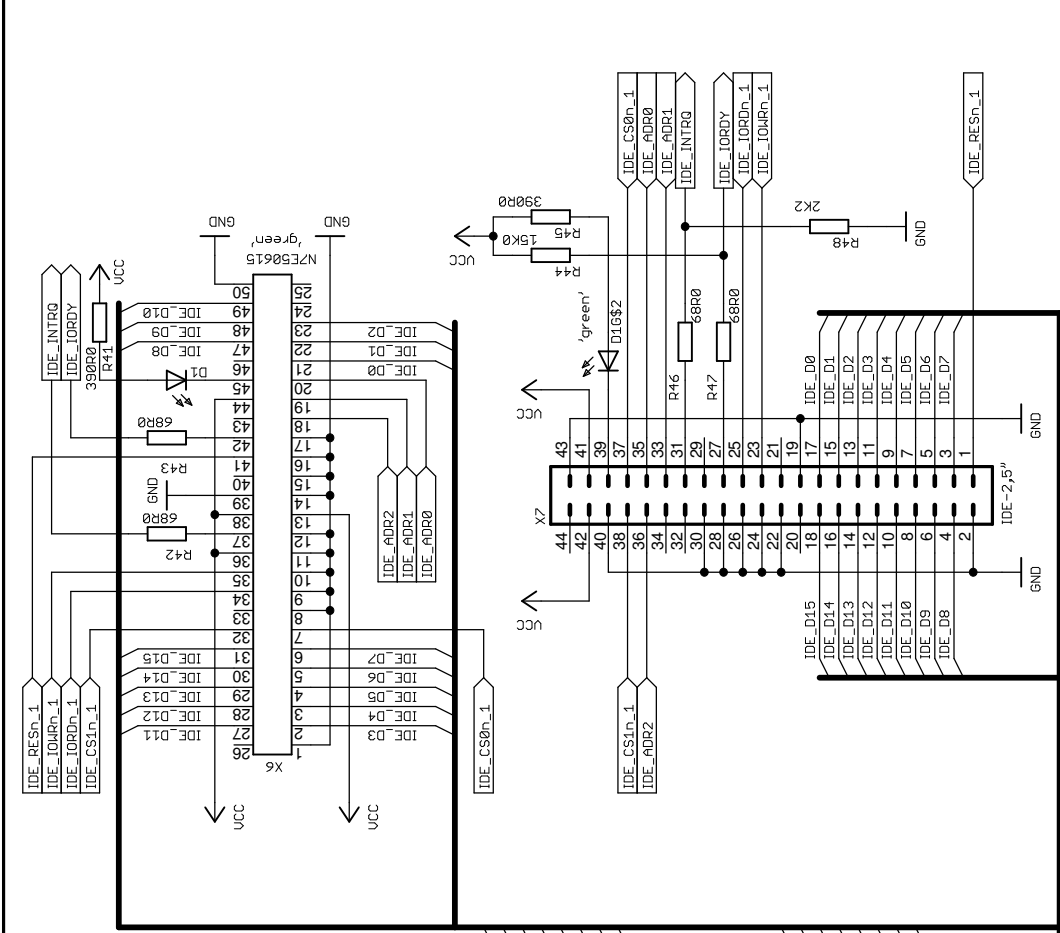
TITLE: Suska-III-C-Series-1

Document Number:

REV:  
 2K9A-WF

Date: 09.09.09 15:09

Sheet: 7 / 21



Inventronik GmbH - Wolfgang Foerster

IDE-Interface

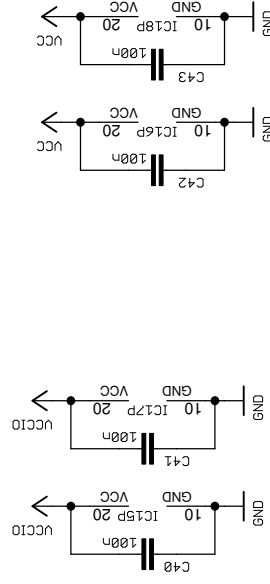
TITLE: Suska-III-C-Series-1

Document Number:

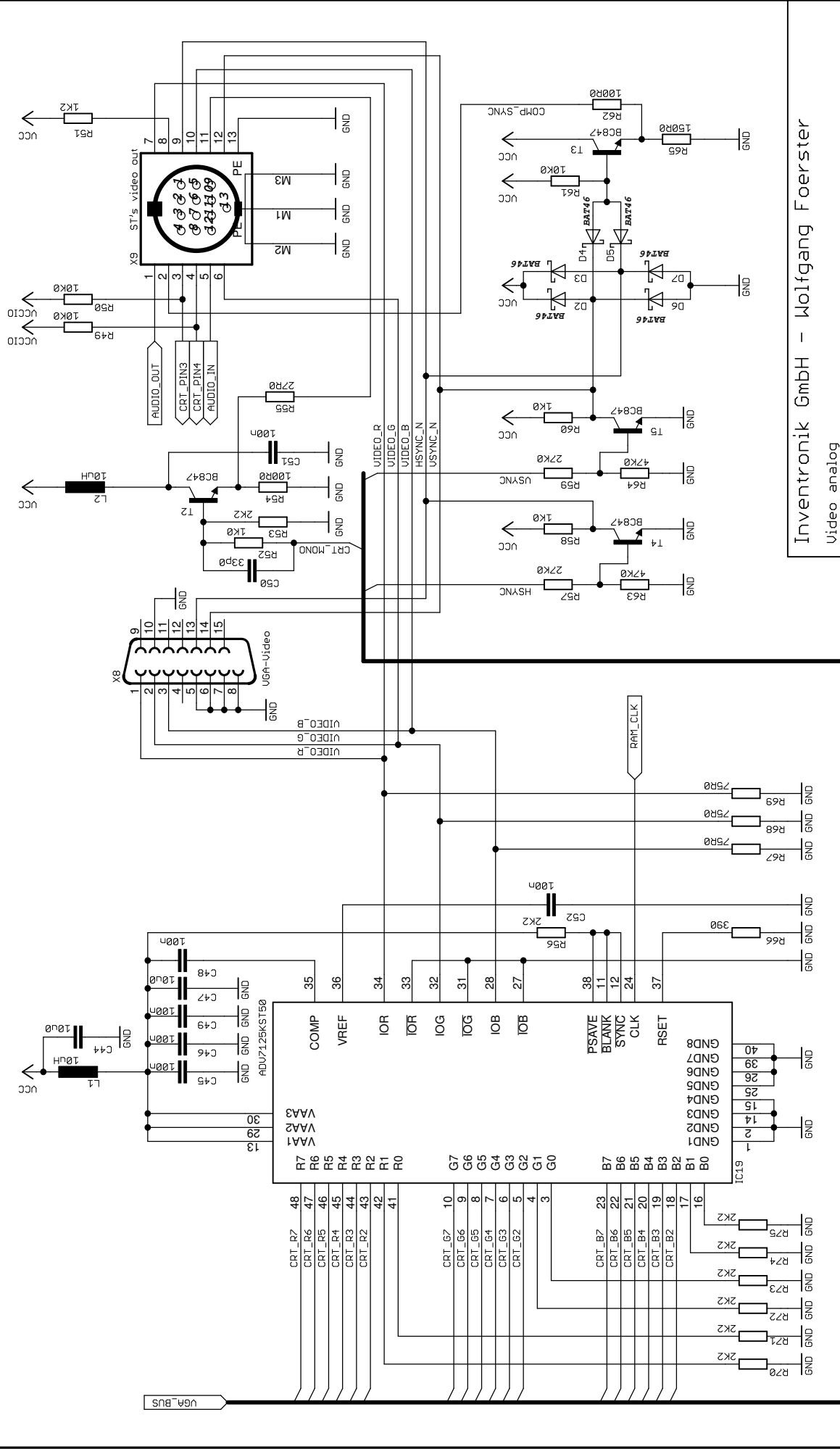
REV:  
2K9A-WF

Date: 09.09.09 15:09

Sheet: 8/21







Inventronik GmbH - Wolfgang Foerster  
Video analog

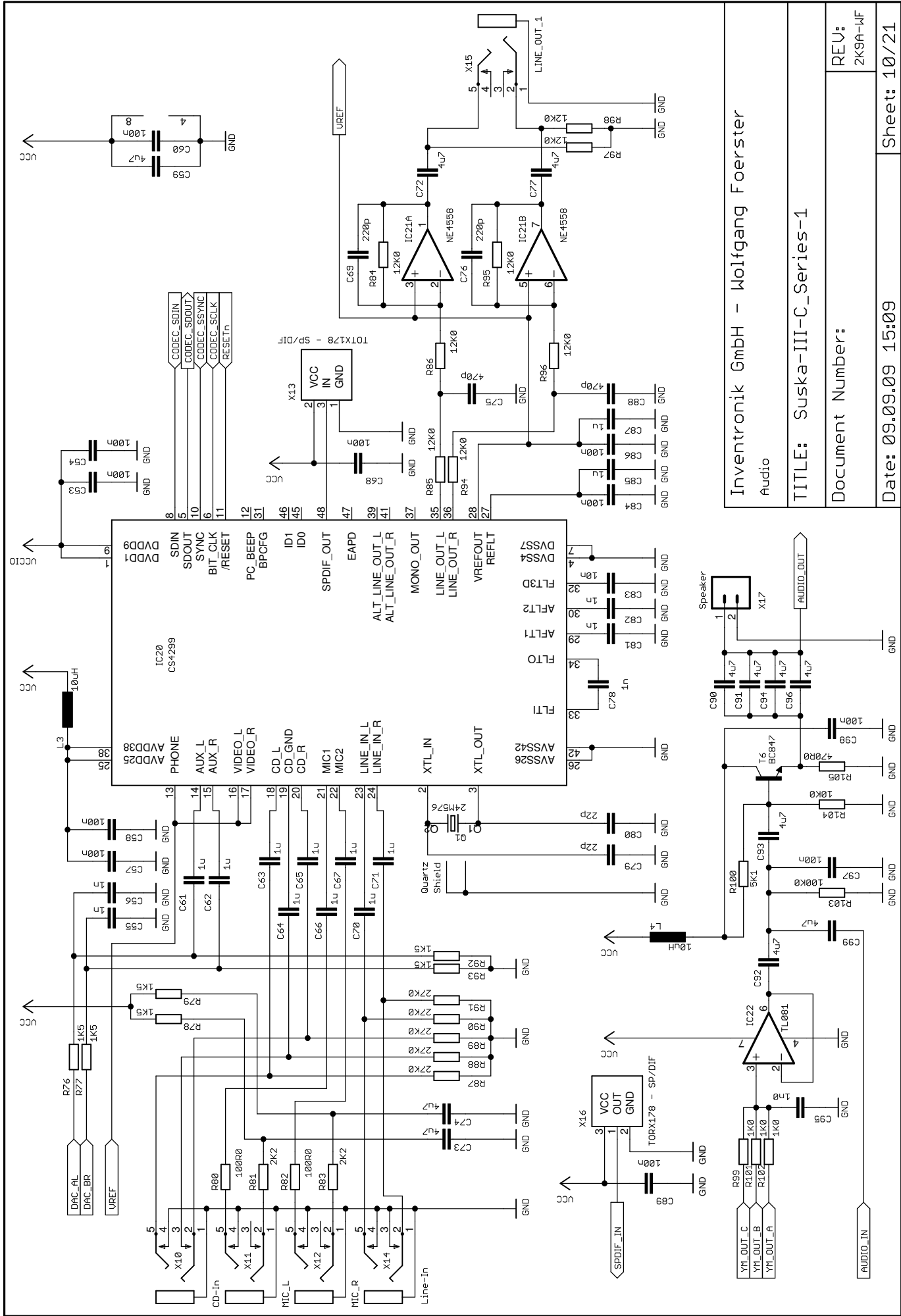
TITLE: Suska-III-C\_Series-1

Document Number:

REV:  
2K9A-WF

Date: 09.09.09 15:09

Sheet: 9/21



Inventronik GmbH - Wolfgang Foerster

Audio

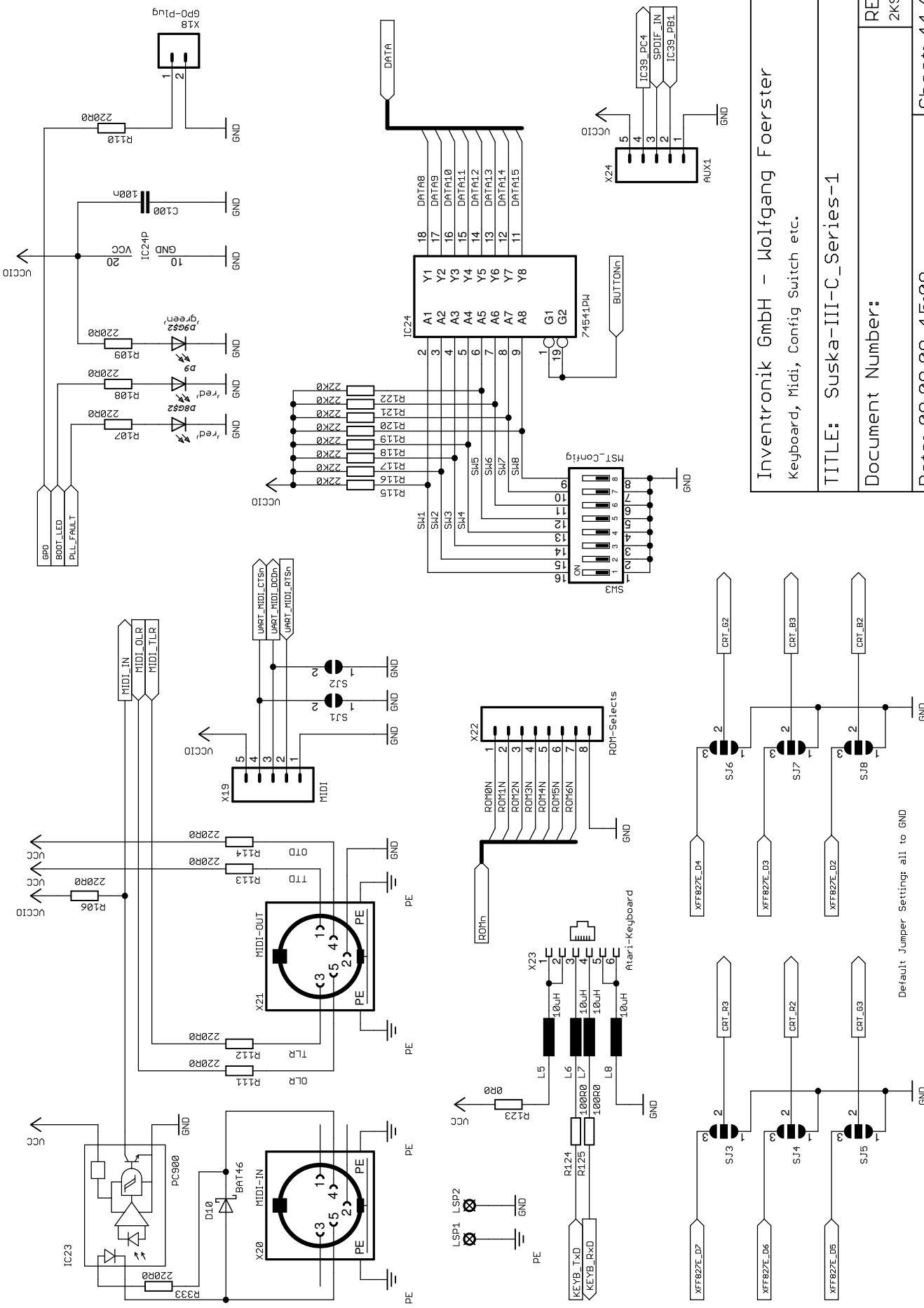
TITLE: Suska-III-C\_Series-1

Document Number:

REV:  
2K9A-WF

Date: 09.09.09 15:09

Sheet: 10/21



Inventronik GmbH – Wolfgang Foerster  
 Keyboard, Midi, Config Switch etc.

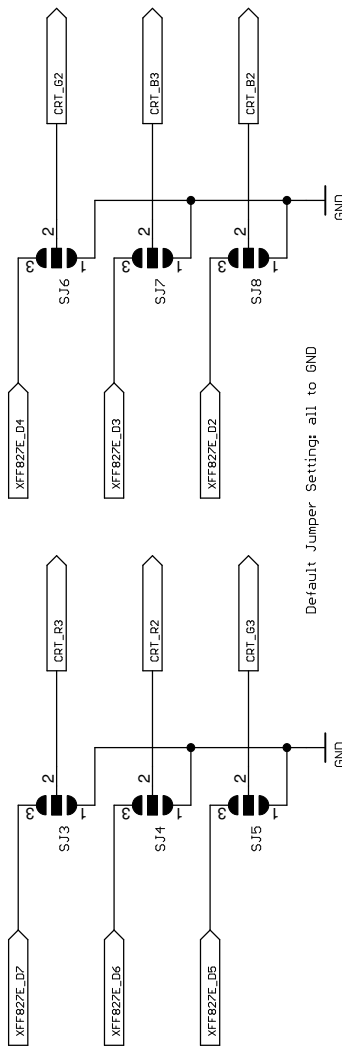
TITLE: Suska-III-C\_Series-1

Document Number:

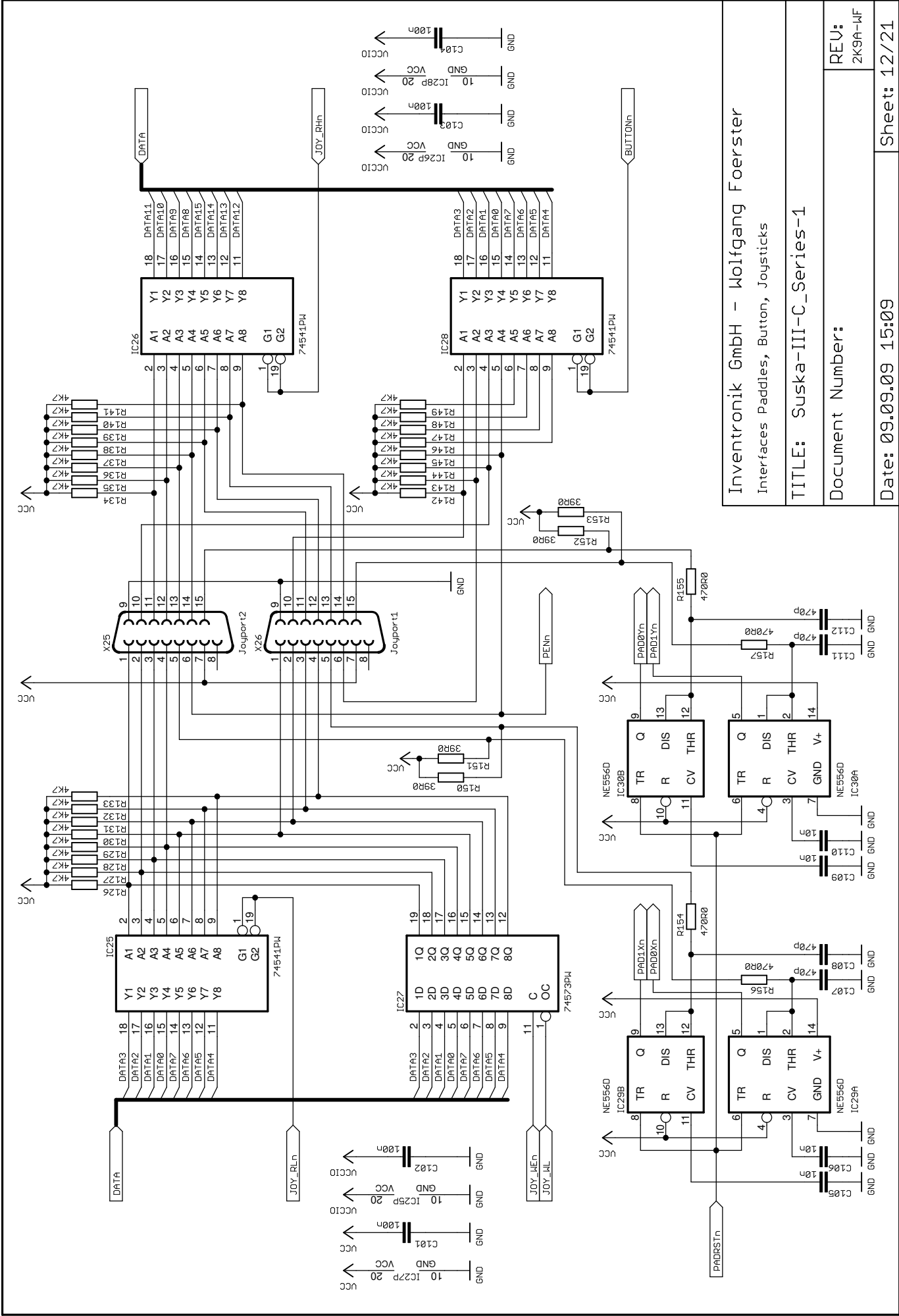
REV:  
2K9A-WF

Date: 09.09.09 15:09

Sheet: 11/21



Default Jumper Settings: all to GND



Inventronik GmbH – Wolfgang Foerster  
 Interfaces Paddles, Button, Joysticks

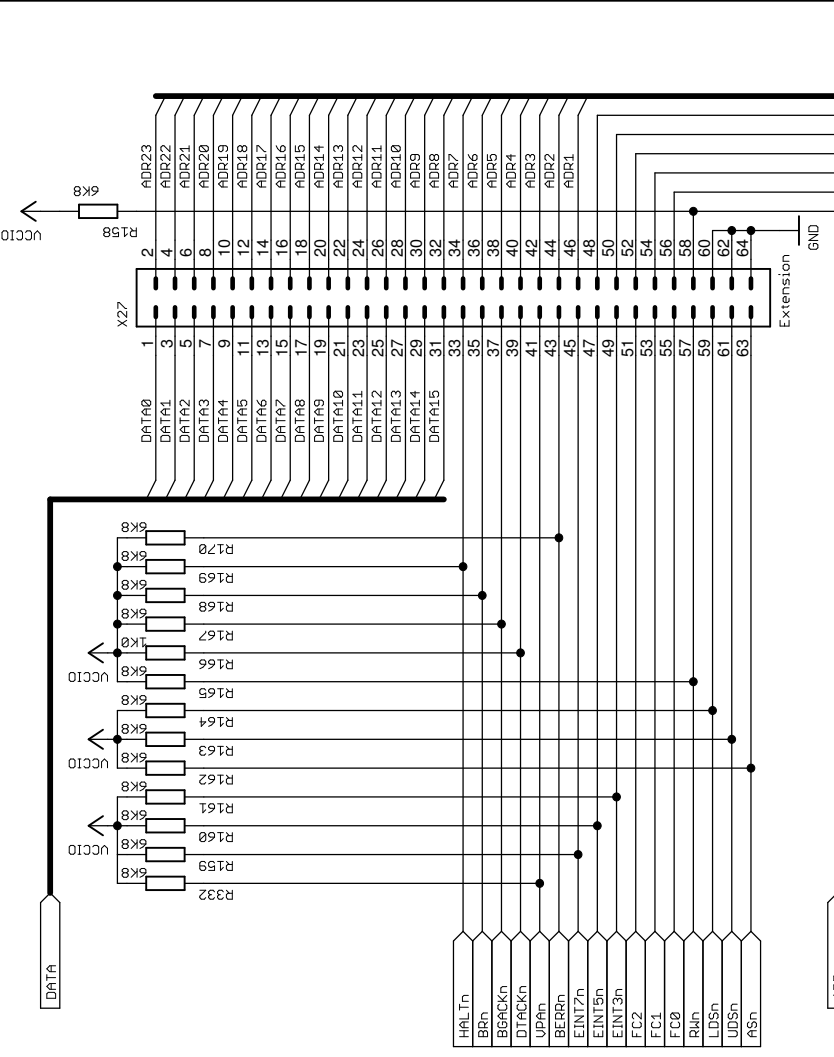
TITLE: Suska-III-C\_Series-1

Document Number:

REV:  
2K9A-WF

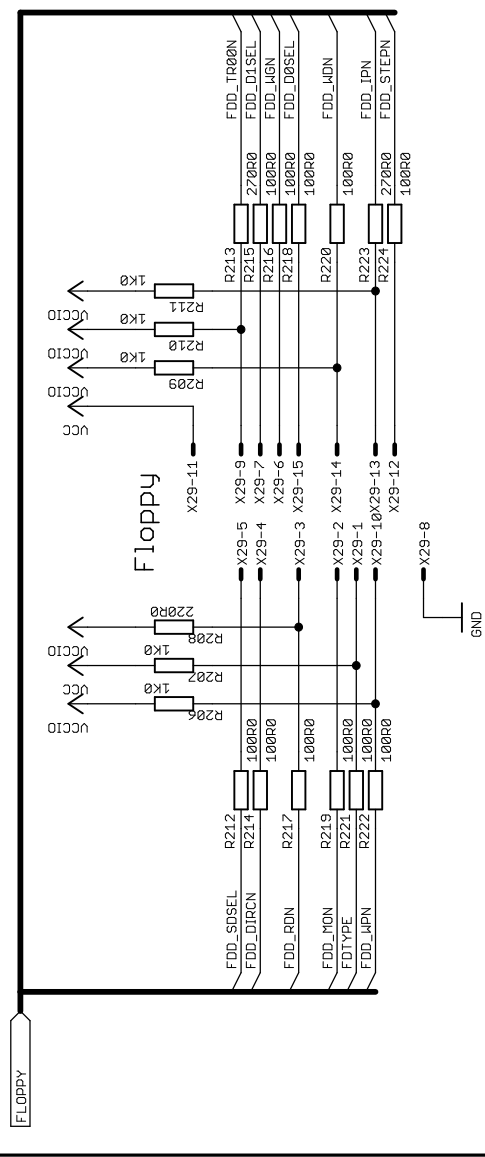
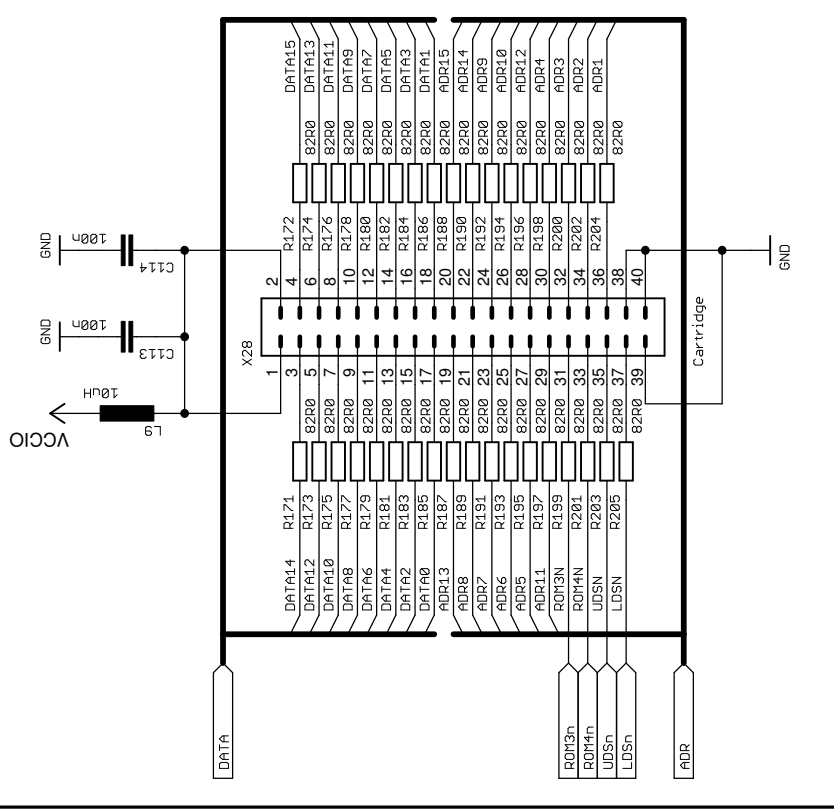
Date: 09.09.09 15:09

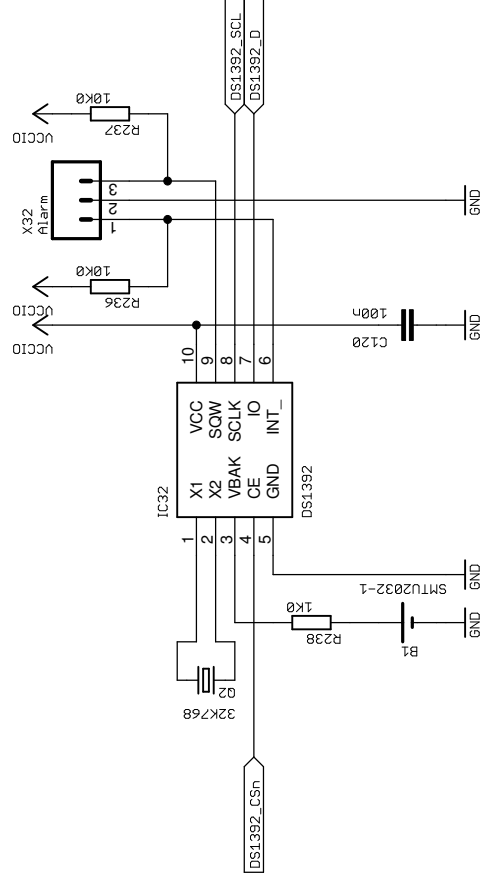
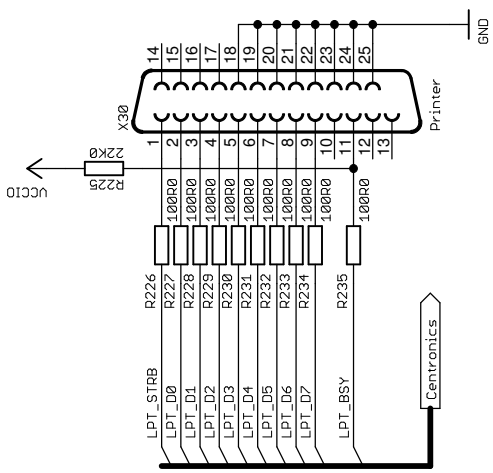
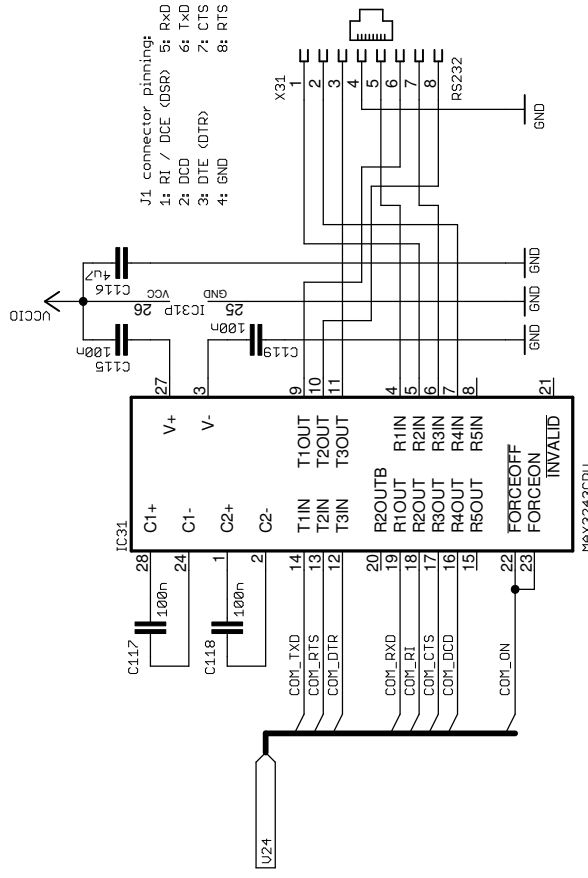
Sheet: 12/21



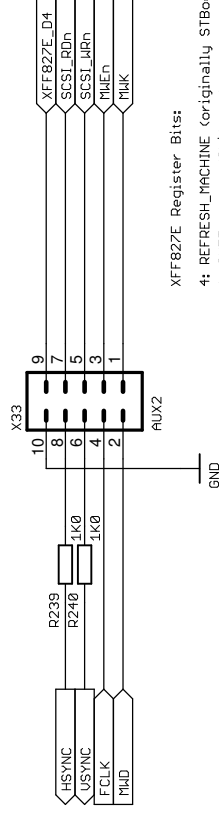
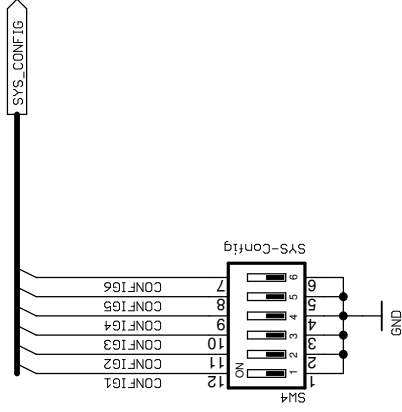
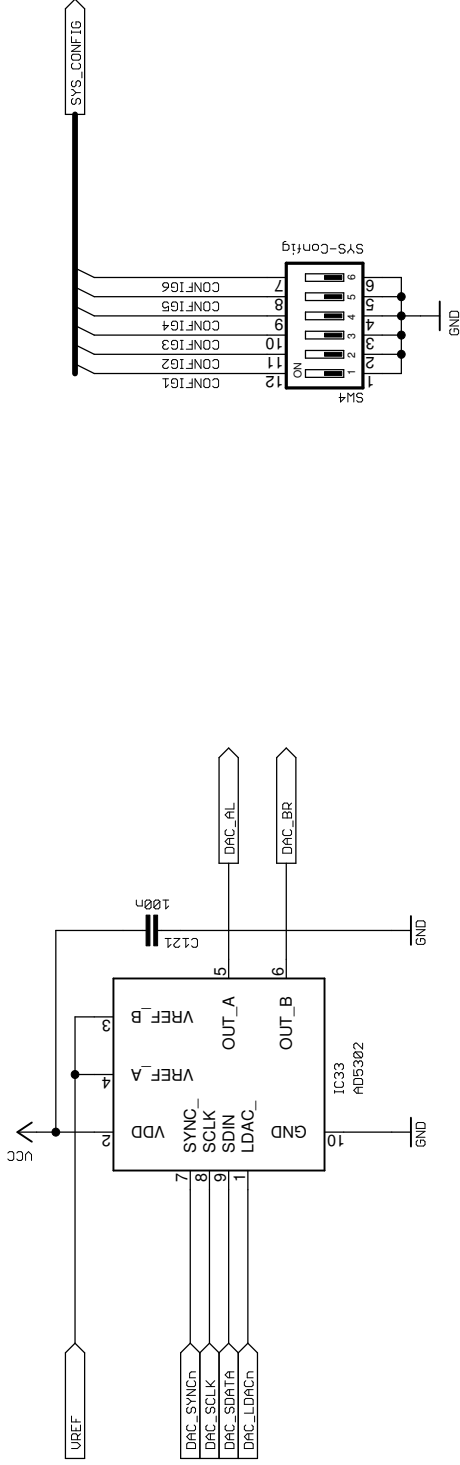
Invetronik GmbH - Wolfgang Foerster  
 Extension Plug, Floppy-Interface  
**TITLE: Suska-III-C\_Series-1**  
 Document Number:  
 Date: 09.09.09 15:09  
 Sheet: 13/21

REVISION: 2K9A-WF





Inventronik GmbH – Wolfgang Foerster	
U24-Interface, Centronics-Interface, Real Time Clock	
TITLE: Suska-III-C_Series-1	
Document Number:	REV: 2K9A-WF
Date: 09.09.09 15:09	Sheet: 14/21



XFF82ZE Register Bits:

- 4: REFRESH\_MACHINE (originally STBook),
- 1: SHFT output (Shifter data stream control, STBook),
- 0: SHADOW chip off (STBook).

Inventronik GmbH – Wolfgang Foerster  
 Audio-DA-Converter, Spares

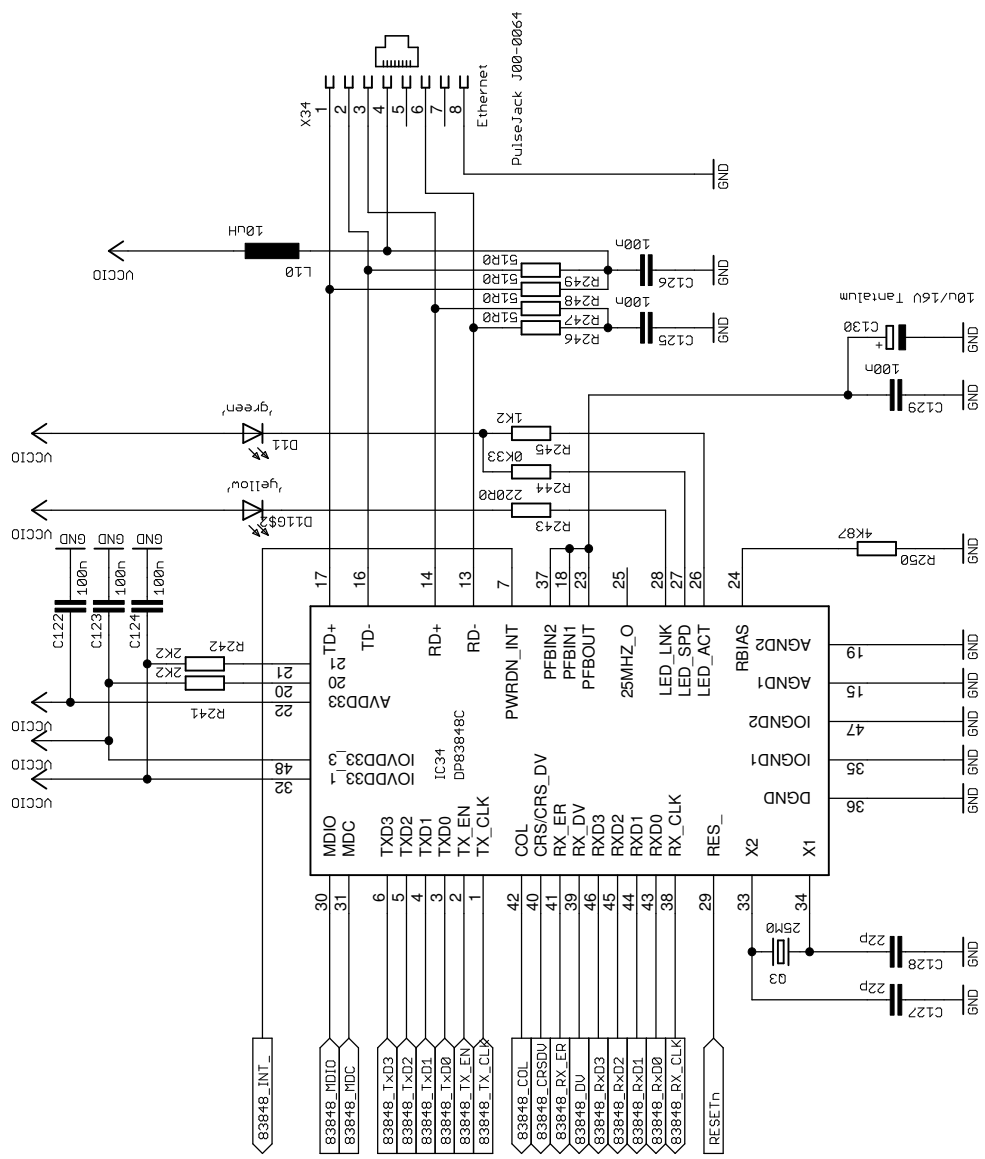
TITLE: Suska-III-C-Series-1

Document Number:

REV:  
2K9A-WF

Date: 09.09.09 15:09

Sheet: 15/21



Inventronik GmbH - Wolfgang Foerster  
TCP/IP-Interface

TITLE: Suska-III-C\_Series-1

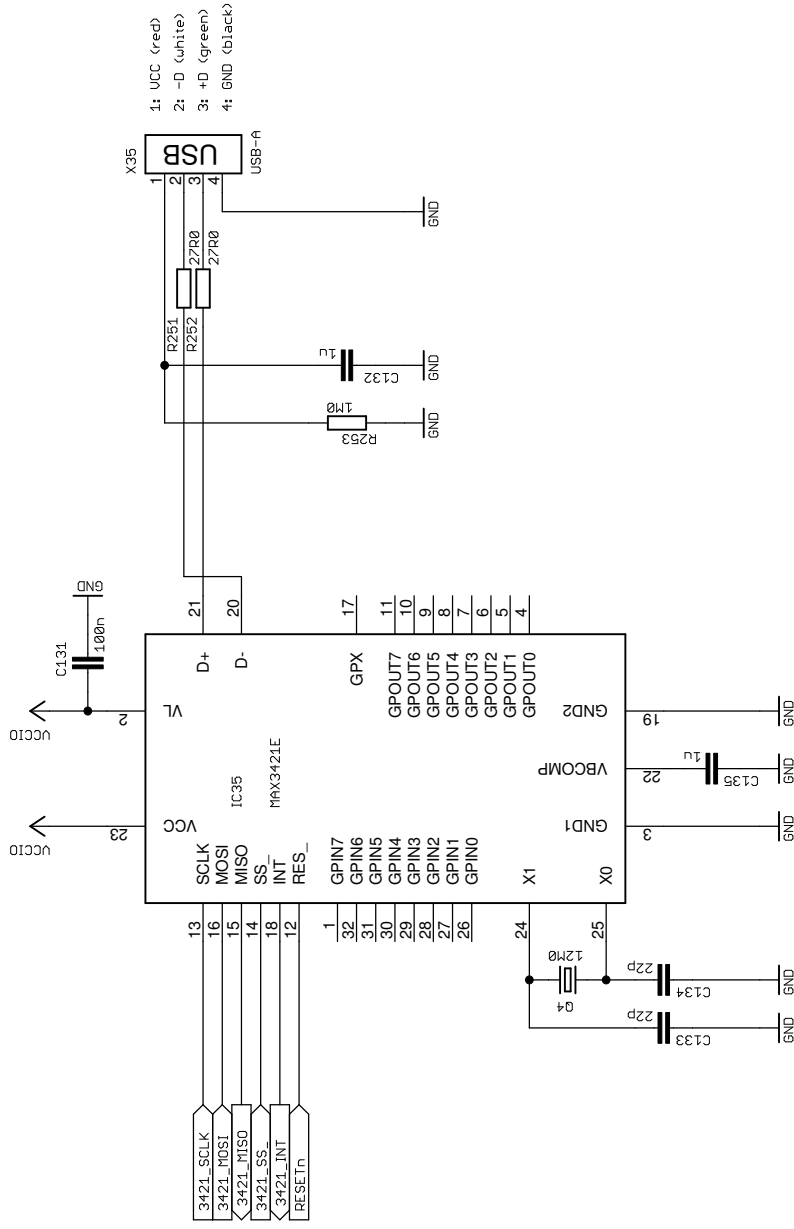
Document Number:

REV:  
2K9A-WF

Date: 09.09.09 15:09

Sheet: 16/21





Inventronik GmbH – Wolfgang Foerster  
 USB20 Host/Device Interface

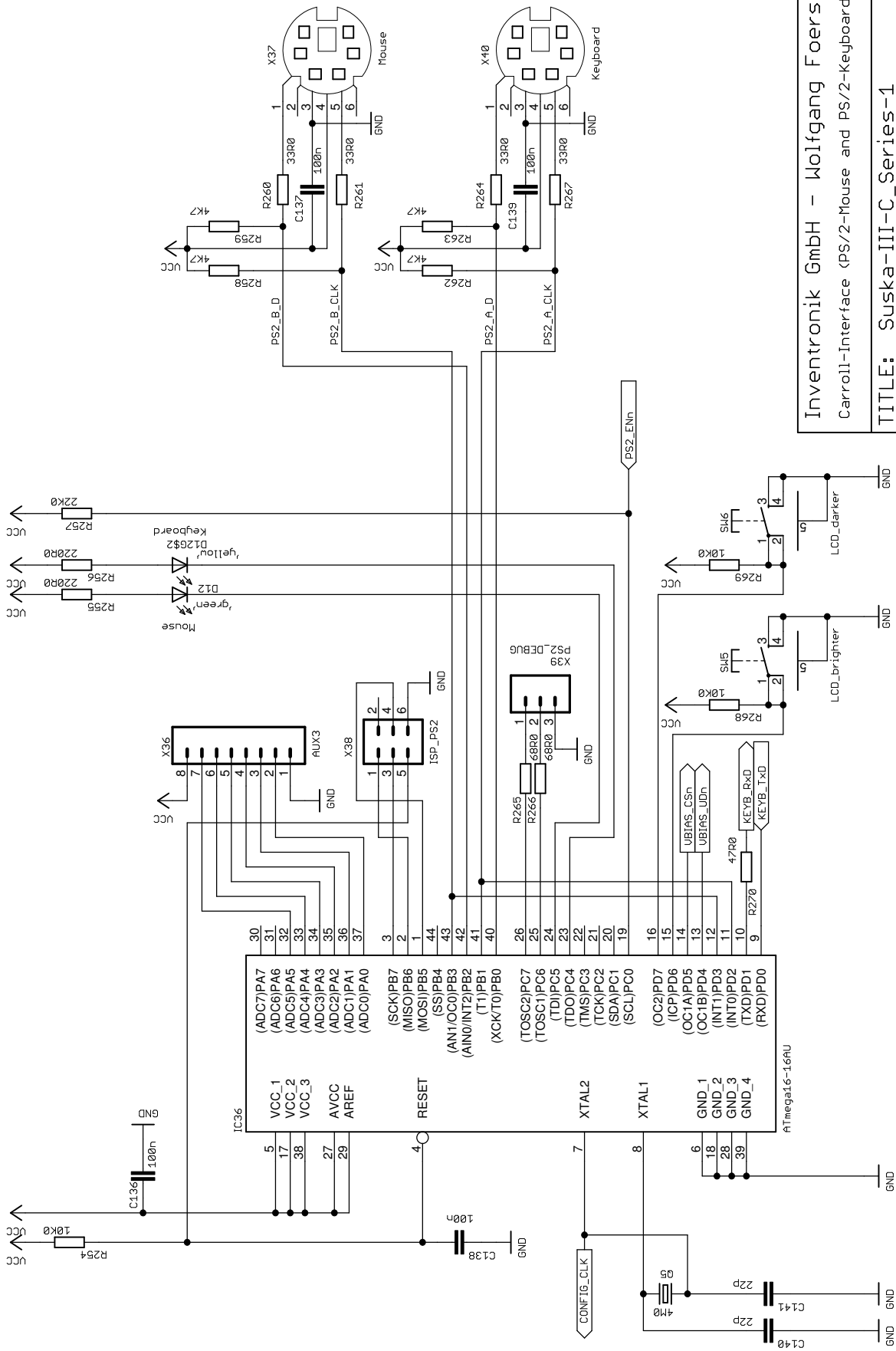
TITLE: Suska-III-C-Series-1

Document Number:

REV:  
 2K9A-WF

Date: 09.09.09 15:09

Sheet: 17/21



Inventronik GmbH – Wolfgang Foerster  
 Carroll-Interface (PS/2-Mouse and PS/2-Keybaord)

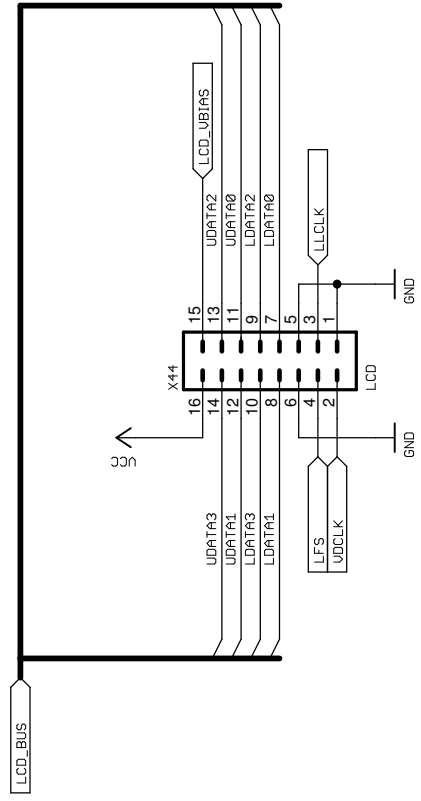
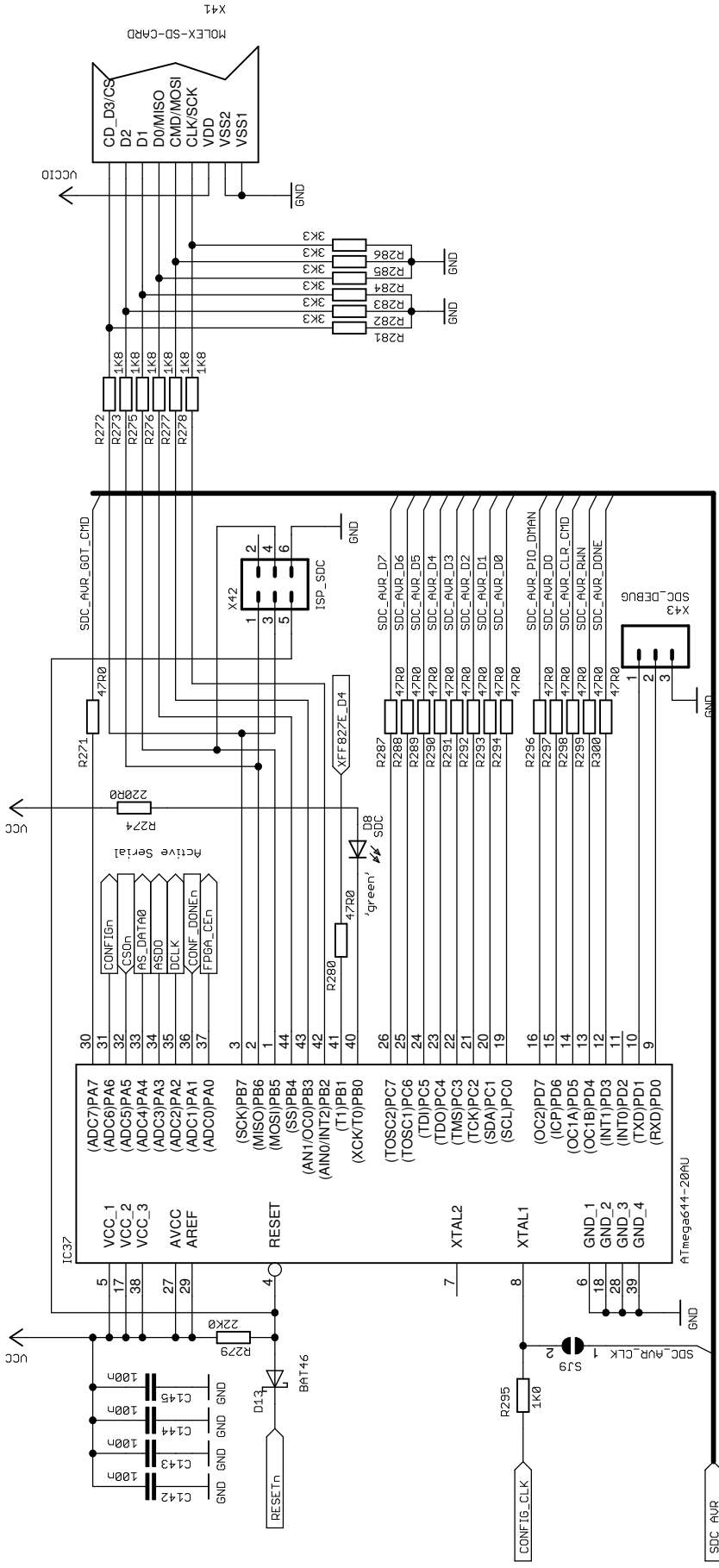
TITLE: Suska-III-C\_Series-1

Document Number:

REV:  
2K9A-WF

Date: 09.09.09 15:09

Sheet: 18/21



Inventronik GmbH - Wolfgang Foerster  
Video LCD, SD-Card Interface

TITLE: Suska-III-C-Series-1

Document Number:

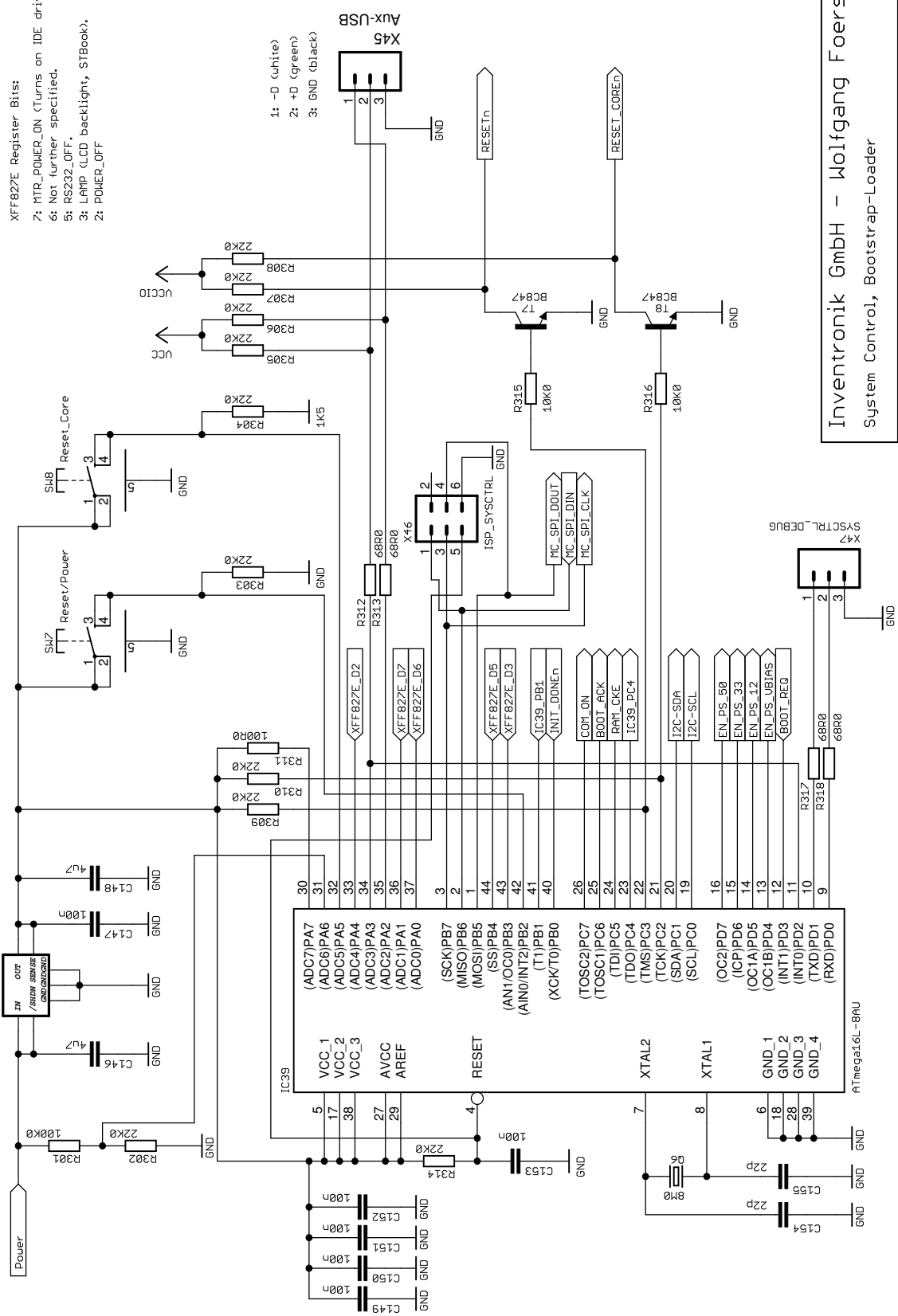
REV:  
2K9A-WF

Date: 09.09.09 15:09

Sheet: 19/21

IC38  
LT1963ESB-3V3

IC39  
XFF827E Register Bits:  
7: MTR\_POWER\_ON (Turns on IDE drive motor).  
6: Not further specified.  
5: RS232\_OFF.  
3: LAMP (LCD backlight, STBook).  
2: POWER\_OFF



1: -D (white)  
2: +D (green)  
3: GND (black)

Inventronik GmbH - Wolfgang Foerster  
System Control, Bootstrap-Loader

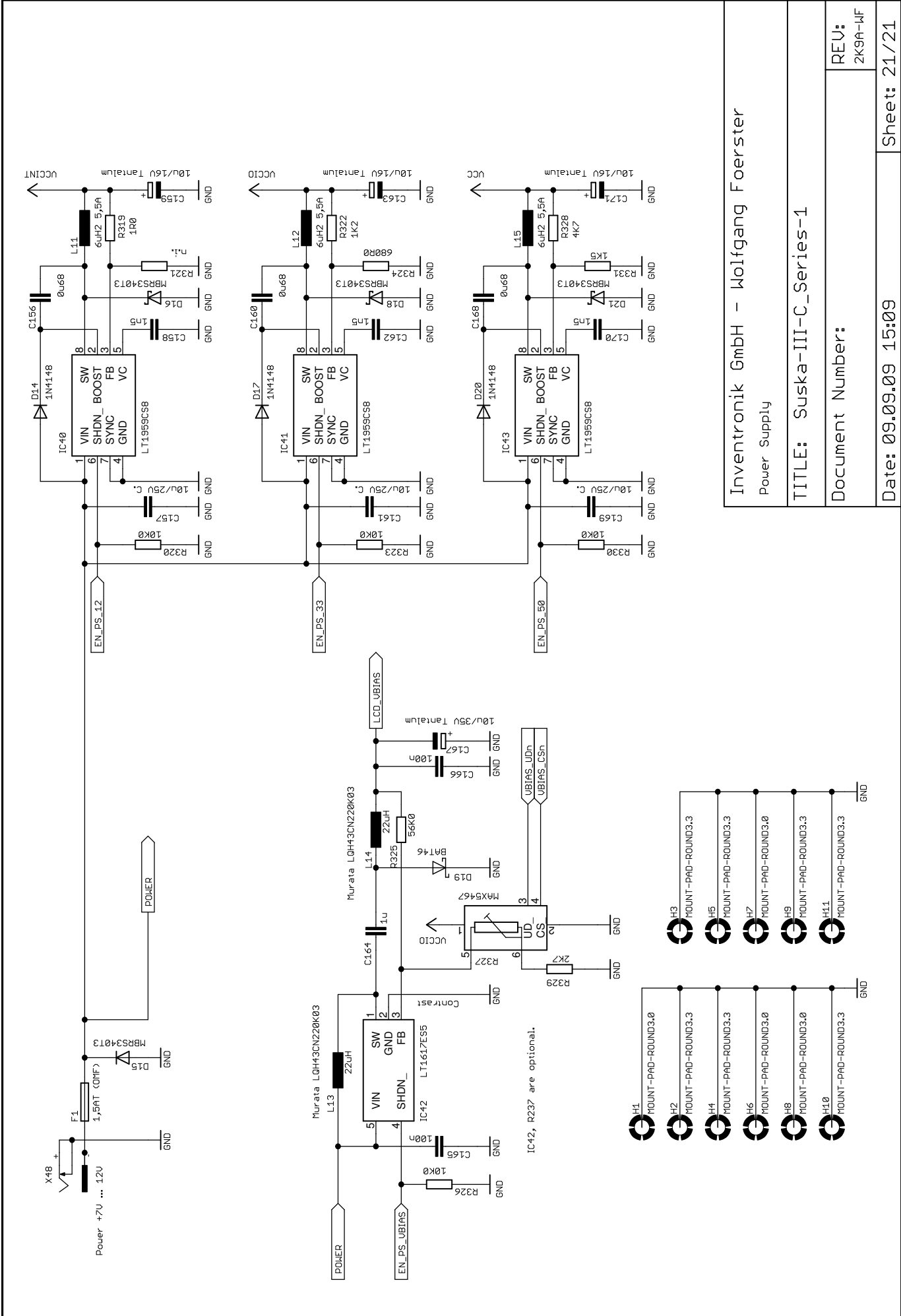
TITLE: Suska-III-C\_Series-1

Document Number:

REV:  
2K9A-WF

Date: 09.09.09 15:09

Sheet: 20/21



Inventronik GmbH - Wolfgang Foerster

Power Supply

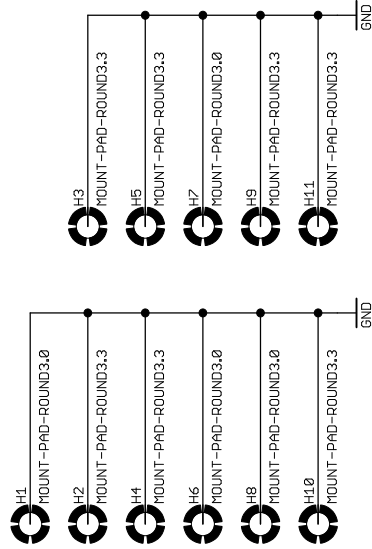
TITLE: Suska-III-C\_Series-1

Document Number:

REV:  
2K9A-WF

Date: 09.09.09 15:09

Sheet: 21/21



IC42, R237 are optional.