

IC1

PADRSTN	M5	B1-/O23	R8	CA1_OUT
JOY_RHN	M6	B1-/O24	T1	BOOT_RE0
JOY_RLN	M7	B1-/O25	T2	BOOT_ACK
BUUTTONN	M8	B1-/O26	T3	CONF_I01
SCSI_RSTN	N1	B1-/O27	T5	CONF_I02
RC_SPL_DIN	N2	B1-/O28	T6	XFF827E_D4
LDATA1	N3	B1-/O29	U1	XFF827E_D2
LDATA0	N4	B1-/O30	U2	RC_SPL_DOUT
JOY_JEN	N5	B1-/O31	U3	CONF_I03
JOY_JLN	N6	B1-/O32	U4	RAM_CLK
XFF827E_D3	P1	B1-/O33	V1	MC_SPL_CLK
XFF827E_D5	P2	B1-/O34	V2	UDATA3
SCSI_RDN	P3	B1-/O35	V4	CONF_I05
PIK	P4	B1-/O36	W1	UDATA2
PIKEN	P5	B1-/O37	W2	UDATA1
SCSI_LRN	P6	B1-/O38	W3	CONF_I06
XFF827E_D6	R1	B1-/O39	W4	DAC_SYNCN
XFF827E_D7	R2	B1-/O40	W5	HDREN
PKD	R4	B1-/O41	Y1	UDATA0
FCLK	R5	B1-/O42	Y2	LDATA0
DAC_SDATA	R6	B1-/O43	Y3	LDATA2
DAC_SCLK	R7	B1-/O44	Y4	DAC_LDACN

EP2C35F484

IC16\$3

SCSI_DCN	A3	B3-/O1	C9	IDE_IDARN
SCSI_BUSYN	A4	B3-/O2	C10	IDE_IDORN
ASCI_RDN	A5	B3-/O3	D7	IDE_IDRDY
SCSI_SELN	A6	B3-/O4	D8	IDE_INTR0
SCSI_DP	A7	B3-/O5	D9	83848_MDIO
SCSI_D1	A8	B3-/O25	D11	IDE_CS0N
SCSI_D3	A9	B3-/O26	E7	83848_RXD3
SCSI_D5	A10	B3-/O27	E8	SCSI_IDN_3
SCSI_D7	A11	B3-/O28	E9	SCSI_IDN_2
SCSI_REGN	B3	B3-/O29	E11	IDE_CS1N
SCSI_HSGN	B4	B3-/O30	F8	83848_RXD2
ASCI_LRN	B5	B3-/O31	F9	SCSI_IDN_1
SCSI_CTRL_ENN	B6	B3-/O12	F10	IDE_D_EN_INN
SCSI_ACKN	B7	B3-/O13	F11	IDE_D_EN_OUTN
SCSI_D0	B8	B3-/O14	G7	83848_RXD1
SCSI_D2	B9	B3-/O15	G11	SCSI_IGN
SCSI_D4	B10	B3-/O16	H7	83848_RXD0
SCSI_D6	B11	B3-/O17	H11	83848_RX_DV
83848_RX_CLK	C7	B3-/O18		
		B3-/O19		

EP2C35F484

IC16\$2

CRT_MONO	C1	B2-/O1	G2	CRT_R4
CRT_B4	C2	B2-/O2	G3	CD6
CS0N	C3	B2-/O3	G5	CD5
ASD0	C4	B2-/O4	G6	MIDI_TLR
CRT_B5	D1	B2-/O5	H1	CRT_R5
CRT_B6	D2	B2-/O24	H2	CRT_R6
CD0	D3	B2-/O25	H3	HSYNC
HDINTN	D4	B2-/O26	H4	MIDI_OLR
SOC_AVR_CLK	D5	B2-/O7	H5	CD7
HDACKN	D6	B2-/O8	H6	MIDI_IN
CRT_B7	E1	B2-/O9	J1	CRT_R7
CRT_G4	E2	B2-/O10	J2	USYNC
CD1	E3	B2-/O11	J3	83848_TXD1
CD3	E4	B2-/O12	J4	SPDIF_IN
CRT_G5	F1	B2-/O13	J5	83848_TXD0
CRT_G6	F2	B2-/O14	J6	UART_MIDI_RTSN
CD2	F3	B2-/O15	L7	UART_MIDI_DCON
CD4	F4	B2-/O16	L8	UART_MIDI_CTSN
CRT_G7	G1	B2-/O17		
		B2-/O18		
		B2-/O19		

EP2C35F484

CS0N  
ASD0  
Configuration-  
signals

IC16\$8

RAM_D0H1L	R11	B8-/O20	AA3	FDD_IDN
BOOT_LED	T7	B8-/O21	AA4	FDD_LRN
RAM_D0H0L	T8	B8-/O22	AA5	FDD_RDN
RAM_D0H0H	T11	B8-/O23	AA6	FDD_D1SEL
PLL_FAULT	U8	B8-/O24	AA7	LPT_BSY
RAM_CAS0N	U9	B8-/O25	AA8	LPT_D4
RAM_CAS0N	U10	B8-/O26	AA9	LPT_D4
KEYB_TXD	V8	B8-/O27	AA10	LPT_D2
KEYB_RXD	V9	B8-/O28	AA11	LPT_D0
RAM_PAS0N	V11	B8-/O29	AB3	FDD_IPN
DS1392_CS	W7	B8-/O30	AB4	FDD_MON
DS1392_SCL	W8	B8-/O31	AB5	FDD_DIRCN
DS1392_D	W9	B8-/O32	AB6	RESETN
RAM_CAS1N	W11	B8-/O33	AB7	LPT_D7
FDD_SDSEL	Y5	B8-/O34	AB8	LPT_D5
FDD_LGN	Y6	B8-/O35	AB9	LPT_D3
FDD_D0SEL	Y7	B8-/O36	AB10	LPT_D1
FDTYPE	Y9	B8-/O37	AB11	LPT_STRB
FDD_STEPN	Y10			

EP2C35F484

Inventronik GmbH - Wolfgang Foerster  
FPGA (part1)

TITLE: Suska-III-C\_Series-1

Document Number:

REV:  
2K9A-WF

Date: 08.06.09 15:08

Sheet: 1/21

IC16\$4

ADR13	A13	B4-I/O1	C14	ADR18
ADR14	A14	B4-I/O2	C16	ADR20
ADR11	A15	B4-I/O3	C17	ADR22
ADR9	A16	B4-I/O4	C18	ADR21
ADR7	A17	B4-I/O21	D14	83848_TXD2
ADR5	A18	B4-I/O23	D15	ADR19
ADR3	A19	B4-I/O26	D16	ADR23
ADR1	A20	B4-I/O7	E14	83848_TX_CLK
ADR16	B13	B4-I/O8	E15	83848_COL
ADR14	B14	B4-I/O10	F12	FLASH_OEN
ADR12	B15	B4-I/O27	F13	FLASH_CEN
ADR10	B16	B4-I/O28	F14	FLASH_EN
ADR8	B17	B4-I/O29	F15	FLASH_ADR19
ADR6	B18	B4-I/O13	G16	FLASH_ADR18
ADR4	B19	B4-I/O14	H14	83848_INT
ADR2	B20	B4-I/O15	H15	FLASH_RDY
ADR17	C13	B4-I/O16	J14	83848_RX_ER
		B4-I/O17		

EP2C35F484

IC16\$5

3421_HDS1	C19	B5-I/O1	H16	ROM4N
83848_TX_EN	C20	B5-I/O2	H17	ROM3N
DATR1	C21	B5-I/O3	H18	ROM2N
DATR0	C22	B5-I/O4	H19	COM_RXD
3421_HIS0	D19	B5-I/O5	H21	DATR11
83848_TXD2	D20	B5-I/O26	H22	DATR10
DATR3	D21	B5-I/O27	J15	ROM1N
DATR2	D22	B5-I/O28	J17	COM_TXD
3421_SCLK	E18	B5-I/O29	J18	COM_IRI
3421_SS	E19	B5-I/O30	J19	COM_RTS
83848_TXD3	E20	B5-I/O31	J20	COM_CTS
DATR5	E21	B5-I/O12	J21	DATR13
DATR4	E22	B5-I/O33	J22	DATR12
83848_MDC	F20	B5-I/O34	K17	AVECN
DATR7	F21	B5-I/O14	K18	COM_DTR
DATR6	F22	B5-I/O15	K20	COM_DCD
CODEC_SCLK	G17	B5-I/O16	K21	DATR15
CODEC_SDIN	G18	B5-I/O17	K22	DATR14
3421_INT	G20	B5-I/O18	L17	ROM8N
DATR9	G21	B5-I/O19	L18	ROM5N
DATR8	G22	B5-I/O20	L19	ROM6N
		B5-I/O42		

EP2C35F484

IC16\$7

RAM_BA0	R14	B7-I/O1	AA13	RAM_D15
RAM_ADR3	R15	B7-I/O2	AA14	RAM_D13
RAM_ADR2	R16	B7-I/O3	AA15	RAM_D11
RAM_ADR1	T16	B7-I/O4	AA16	RAM_D9
RAM_D1	U13	B7-I/O5	AA17	RAM_ADR2
RAM_LEN	U14	B7-I/O6	AA18	RAM_ADR9
RAM_DQM1H	U15	B7-I/O23	AA19	RAM_ADR7
RAM_BA1	V14	B7-I/O24	AA20	RAM_ADR5
RAM_ADR0	V15	B7-I/O25	AB12	CONF1G4
RAM_ADR10	W14	B7-I/O26	AB13	RAM_D14
RAM_D4	W15	B7-I/O27	AB14	RAM_D12
RAM_D5	W16	B7-I/O28	AB15	RAM_D10
RAM_D2	Y13	B7-I/O29	AB16	RAM_D8
RAM_D3	Y14	B7-I/O14	AB17	RAM_ADR11
RAM_D6	Y16	B7-I/O31	AB18	RAM_ADR8
RAM_D7	Y17	B7-I/O15	AB19	RAM_ADR6
RAM_D0	AA12	B7-I/O16	AB20	RAM_ADR4
		B7-I/O17		

EP2C35F484

Inventronik GmbH - Wolfgang Foerster  
 FPGA (part 2)

TITLE: Suska-III-C\_Series-1

Document Number:

REV: 2K9A-WF

Date: 08.06.09 15:08

Sheet: 2/21

IC16\$6

LFS	M15	B6-I/O21	T18	SDC_AUR_PIO_DMEN
LLCLK	M16	B6-I/O22	T21	BGACKN
CLK_AUX	M18	B6-I/O3	T22	BN
CODEC_SSYNC	M19	B6-I/O23	U18	SDC_AUR_D0
UDCLK	M15	B6-I/O24	U19	SDC_AUR_CLR_CHD
RIN	N21	B6-I/O25	U20	SDC_AUR_RIN
BERRN	N22	B6-I/O26	U21	UPAN
SDC_AUR_D7	P15	B6-I/O27	U22	DTACKN
SDC_AUR_D6	P17	B6-I/O28	V20	SDC_AUR_D0NE
SDC_AUR_D5	P18	B6-I/O29	V21	F C1
SDC_AUR_D4	P19	B6-I/O11	V22	F C2
SDC_AUR_D3	P20	B6-I/O32	W18	SDC_AUR_G0T_CHD
UDSN	P21	B6-I/O12	W21	UPAN
LDSN	P22	B6-I/O13	W22	F C0
SDC_AUR_D2	R17	B6-I/O14	Y18	Y1_OUT_A
SDC_AUR_D1	R18	B6-I/O15	Y19	Y1_OUT_B
SDC_AUR_D0	R19	B6-I/O16	Y20	Y1_OUT_C
HDCSN	R20	B6-I/O37	Y21	E
HALTN	R21	B6-I/O18	Y22	BG0N
ASN	R22	B6-I/O19		
		B6-I/O20		

EP2C35F484

Inventronik GmbH - Wolfgang Foerster  
 FPGA (part 3); Serial EEPROM

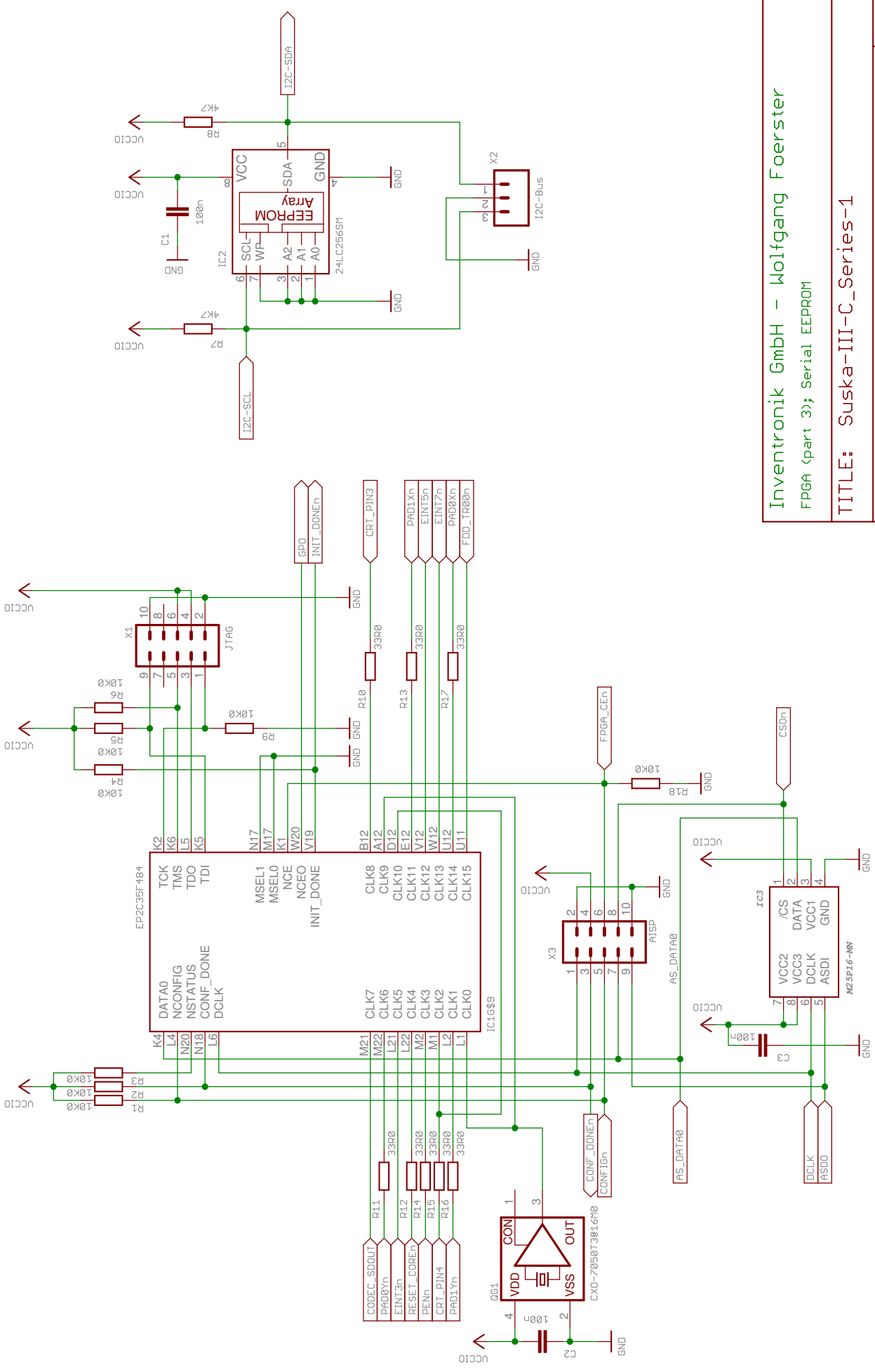
TITLE: Suska-III-C\_Series-1

Document Number:

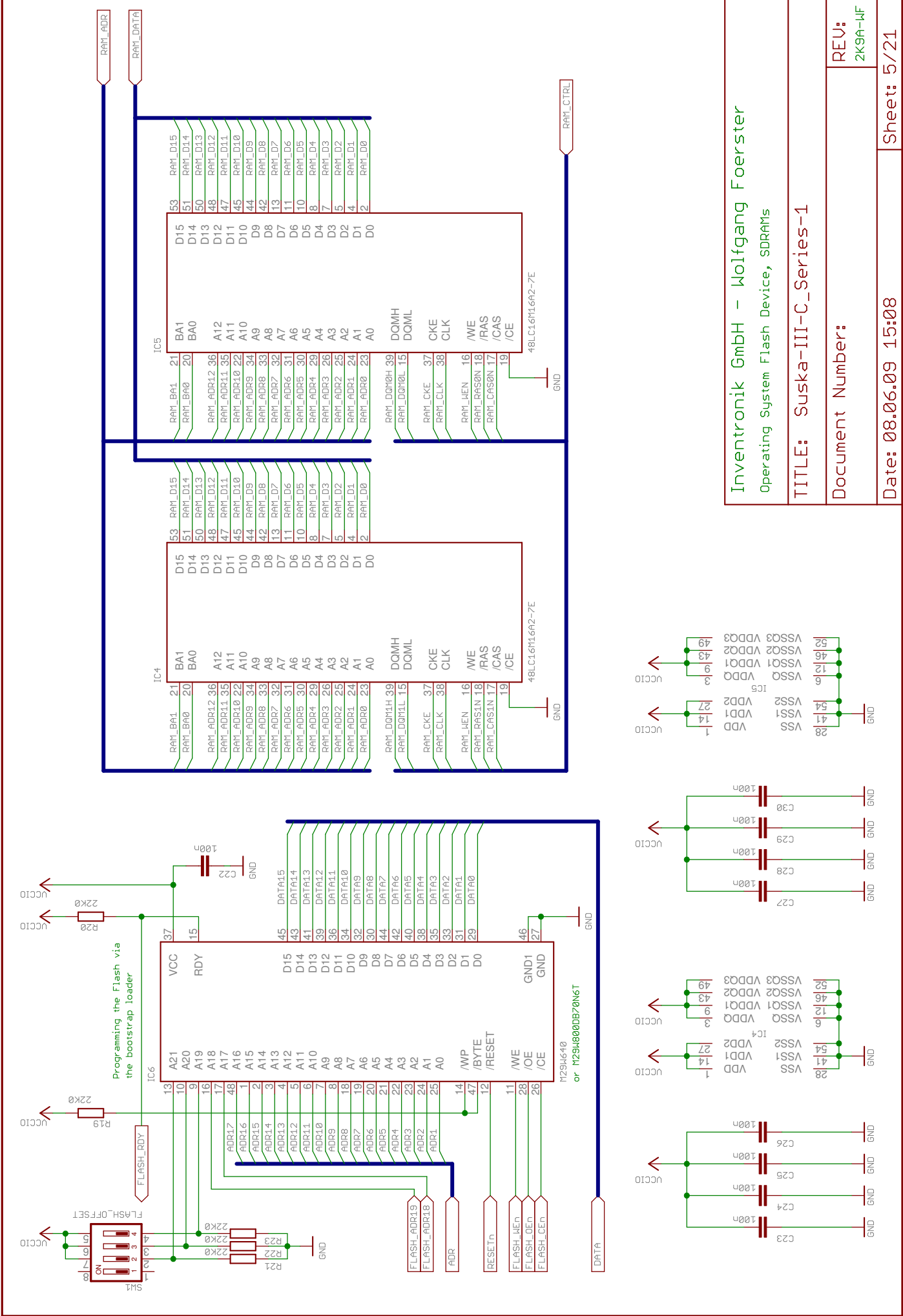
REV: 2K9A-WF

Date: 08.06.09 15:08

Sheet: 3/21







Inventronik GmbH - Wolfgang Foerster  
 Operating System Flash Device, SDRAMs

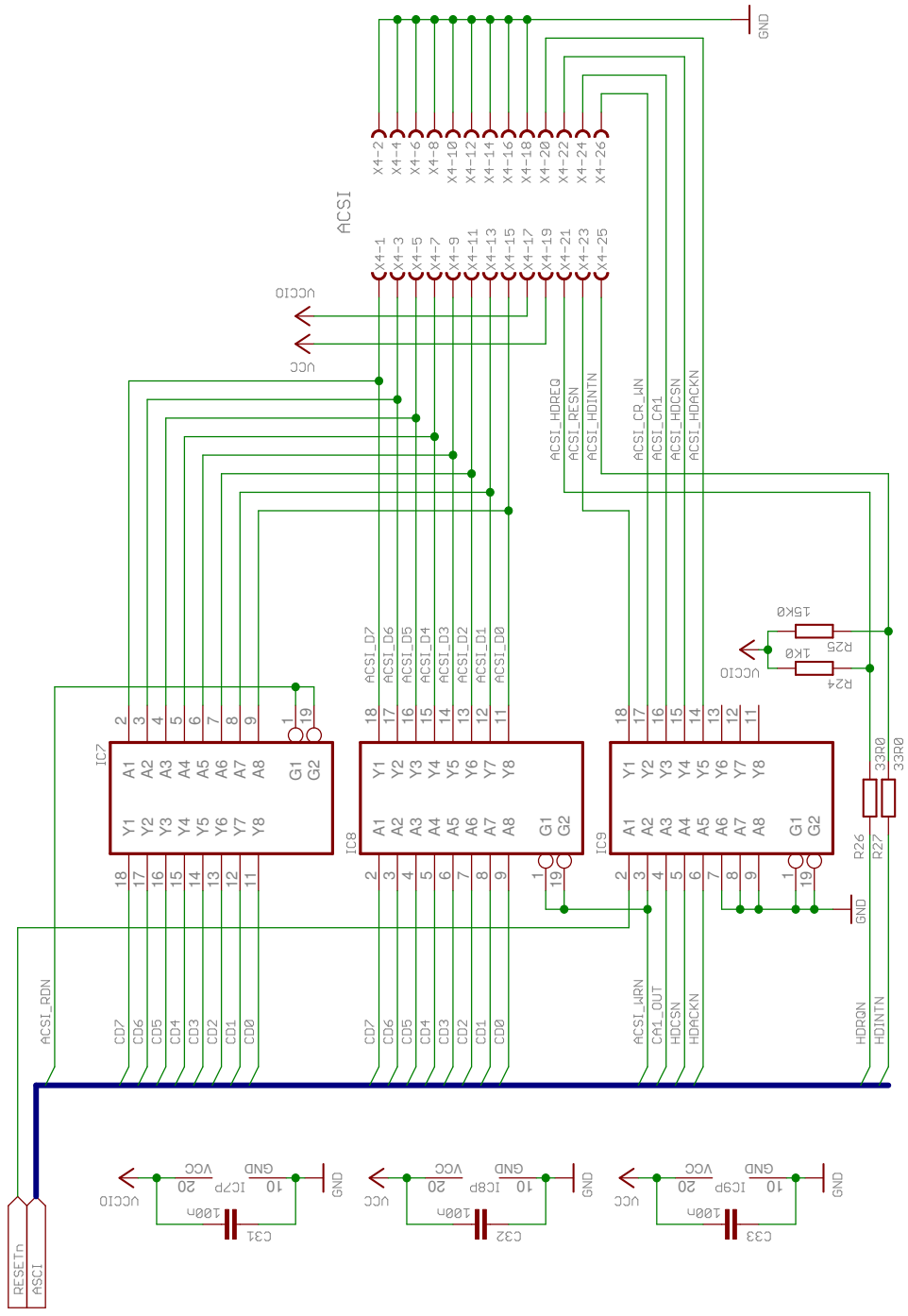
TITLE: Suska-III-C\_Series-1

Document Number:

REV:  
2K9A-WF

Date: 08.06.09 15:08

Sheet: 5/21



Inventronik GmbH - Wolfgang Foerster  
ACSI-Interface

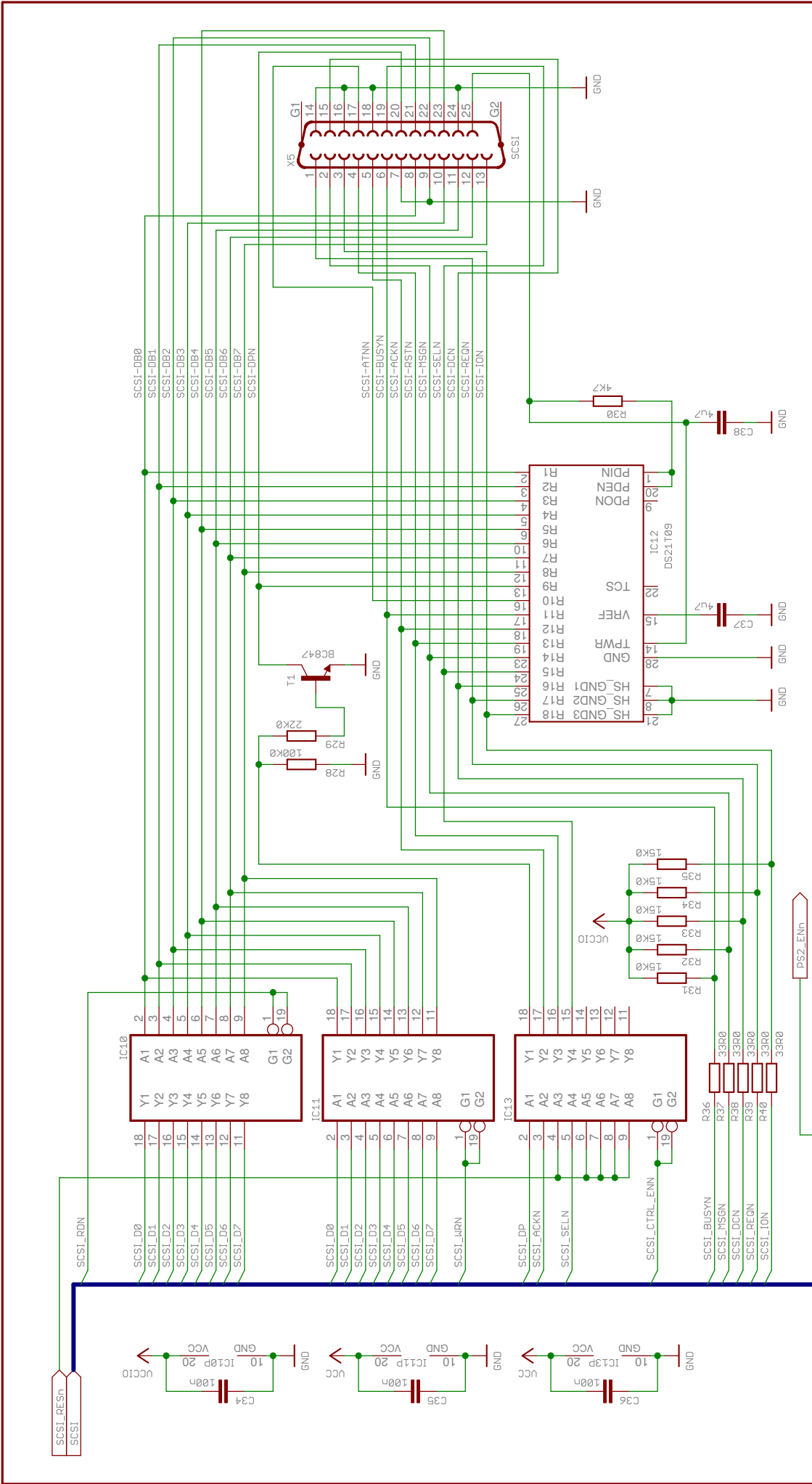
TITLE: Suska-III-C\_Series-1

Document Number:

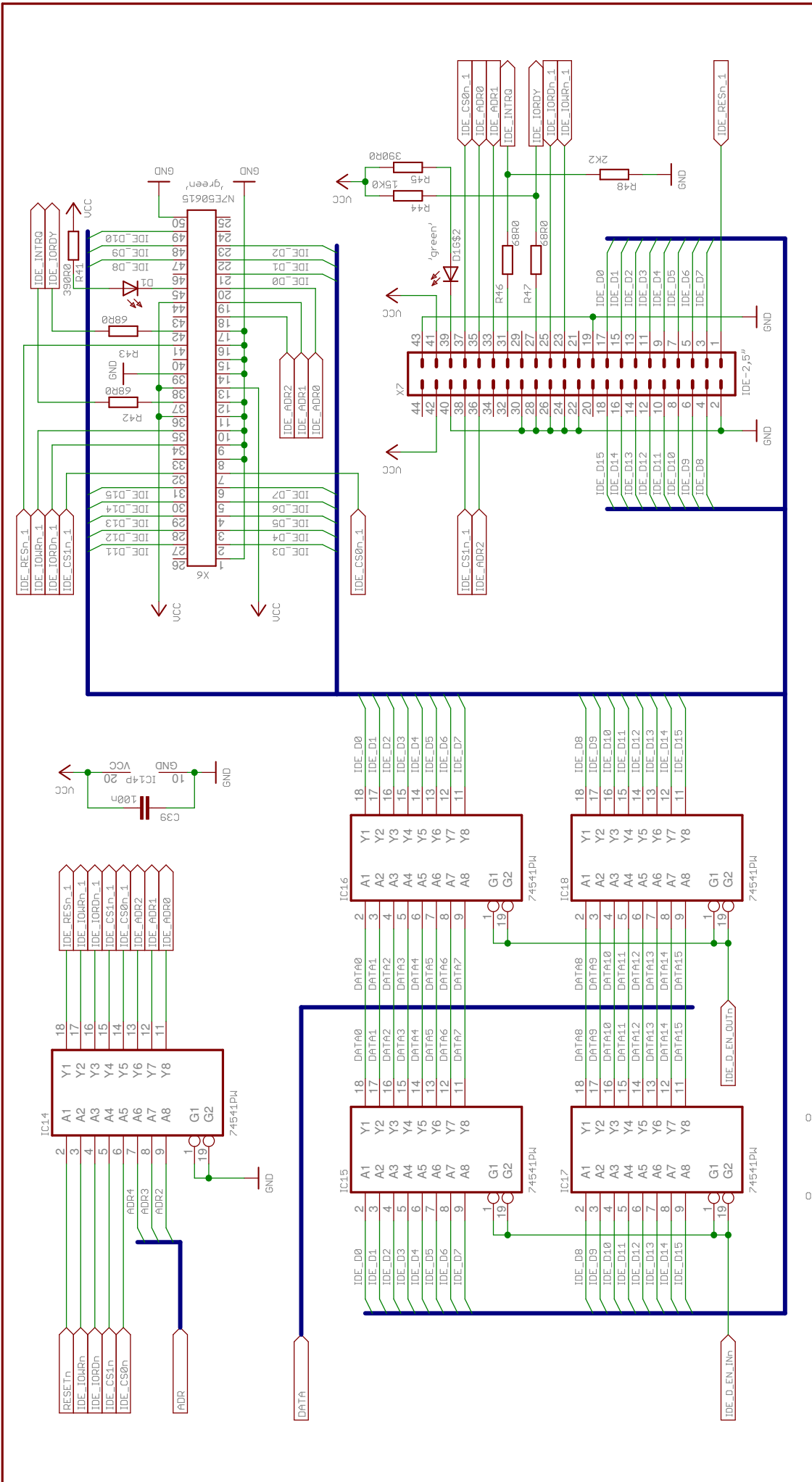
REV:  
2K9A-WF

Date: 08.06.09 15:08

Sheet: 6/21



Inventronik GmbH - Wolfgang Foerster  
 SCSI-Interface  
 TITLE: Suska-III-C\_Series-1  
 Document Number:  
 Date: 08.06.09 15:08  
 REV: 2K9A-WF  
 Sheet: 7/21



Inventronik GmbH - Wolfgang Foerster  
 IDE-Interface

**TITLE:** Suska-III-C\_Series-1

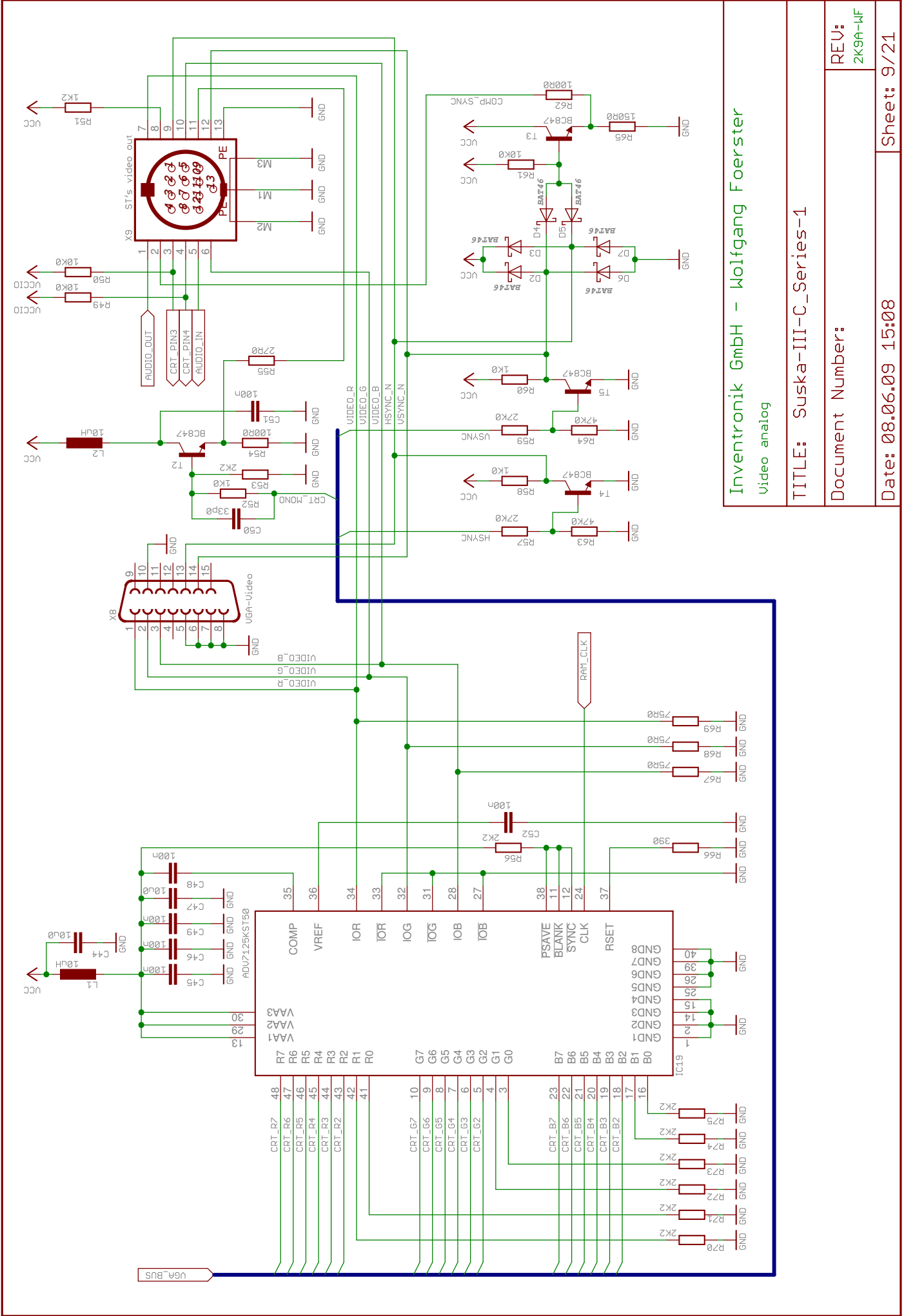
**Document Number:**

**REV:** 2K9A-WF

**Date:** 08.06.09 15:08

**Sheet:** 8/21





Inventronik GmbH - Wolfgang Foerster  
Video analog

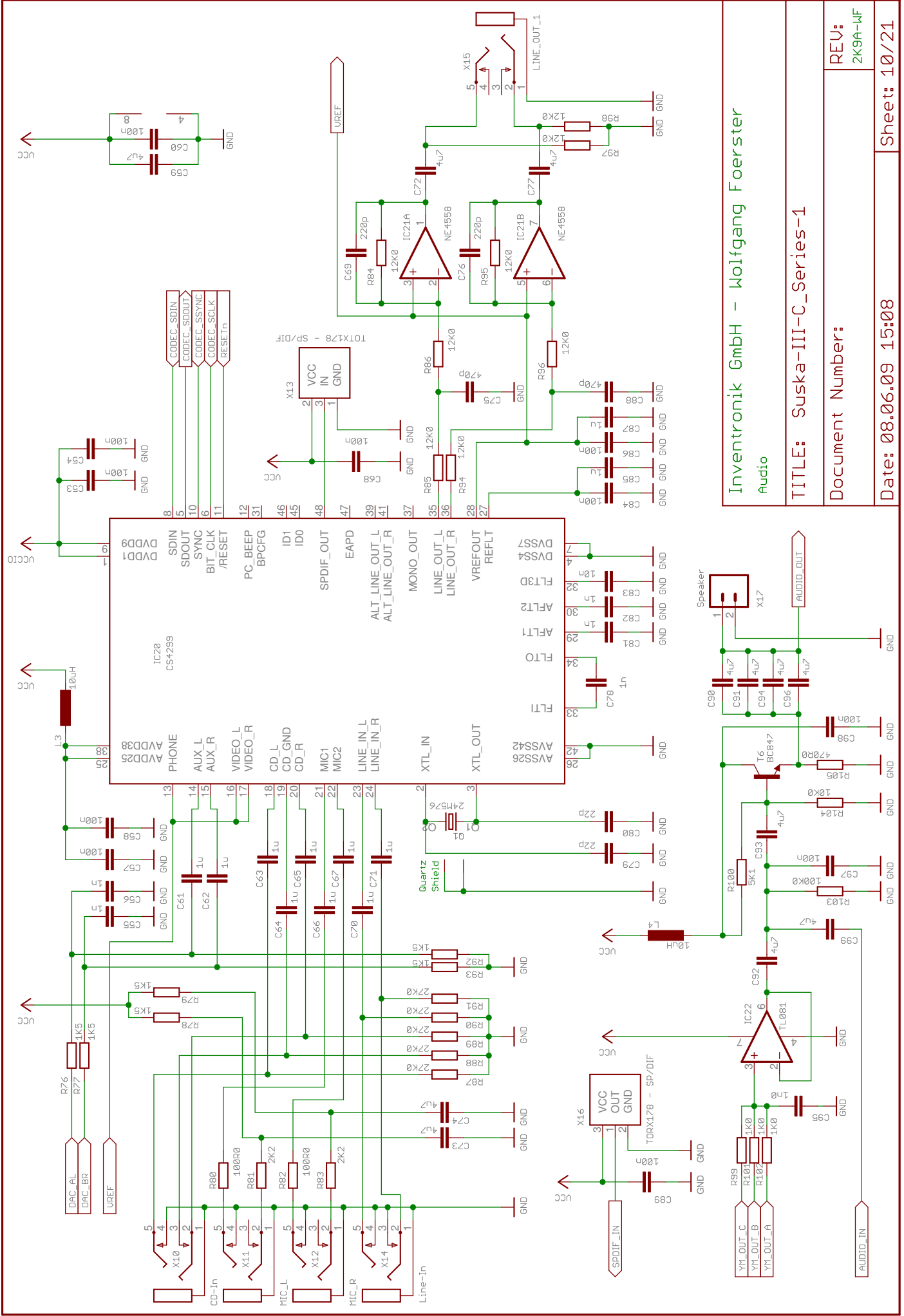
TITLE: Suska-III-C\_Series-1

Document Number:

REV: 2K9A-WF

Date: 08.06.09 15:08

Sheet: 9/21



Inventronik GmbH - Wolfgang Foerster  
Audio

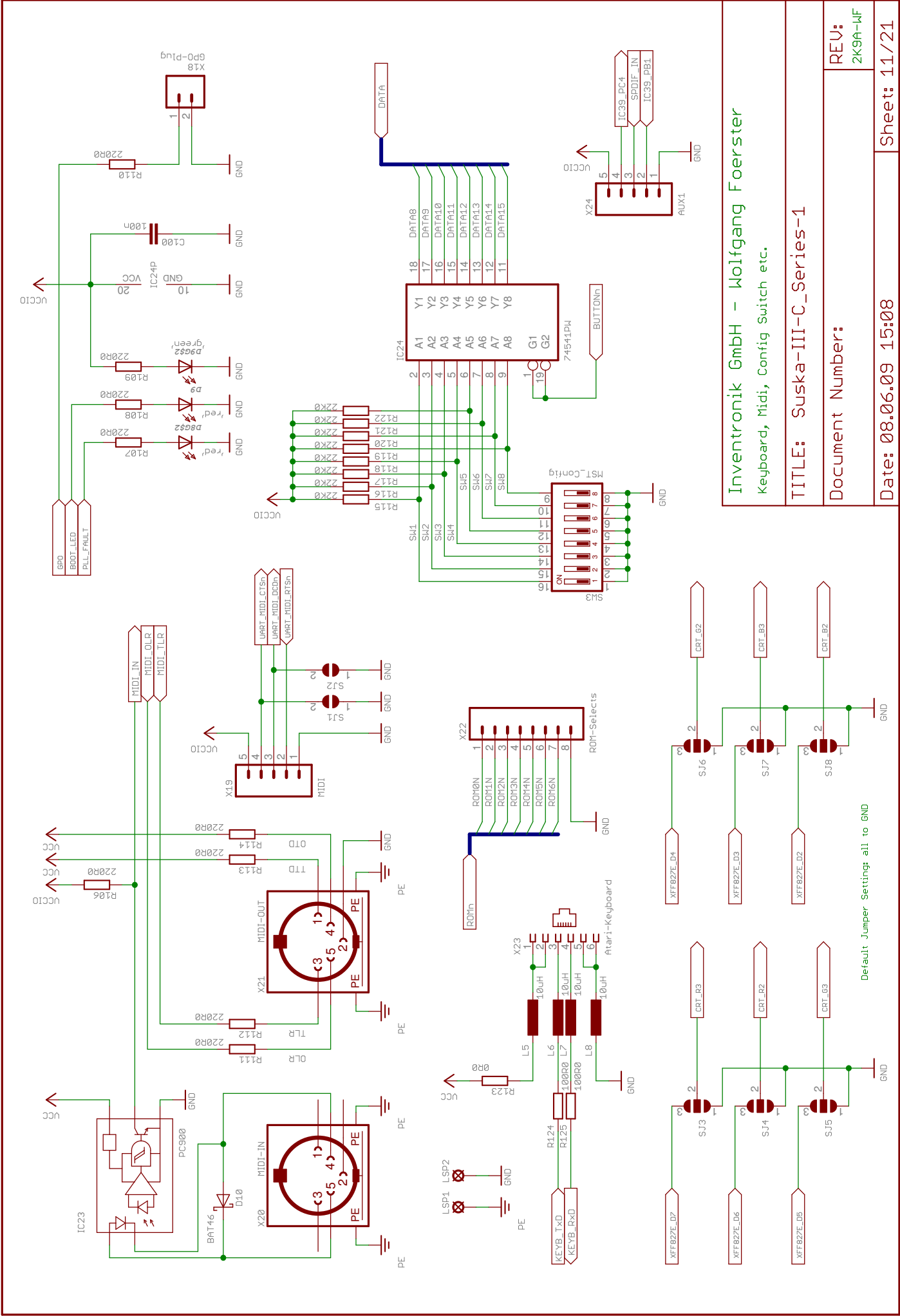
TITLE: Suska-III-C\_Series-1

Document Number:

REV: 2K9A-WF

Date: 08.06.09 15:08

Sheet: 10/21



Inventronik GmbH - Wolfgang Foerster  
 Keyboard, Midi, Config Switch etc.

TITLE: Suska-III-C\_Series-1

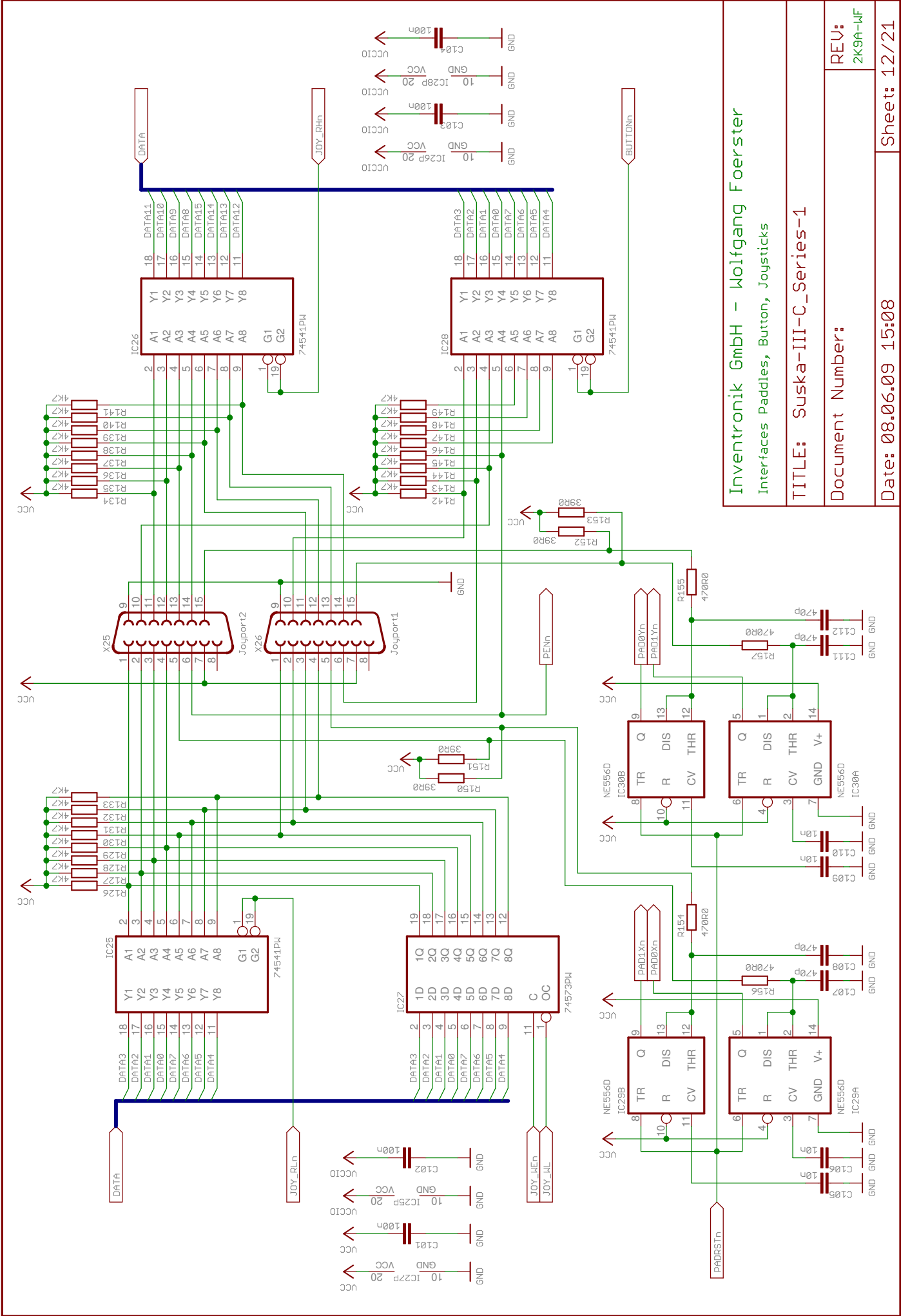
Document Number:

REV: 2K9A-WF

Date: 08.06.09 15:08

Sheet: 11/21

Default Jumper Setting: all to GND



Inventronik GmbH - Wolfgang Foerster  
 Interfaces Paddies, Button, Joysticks

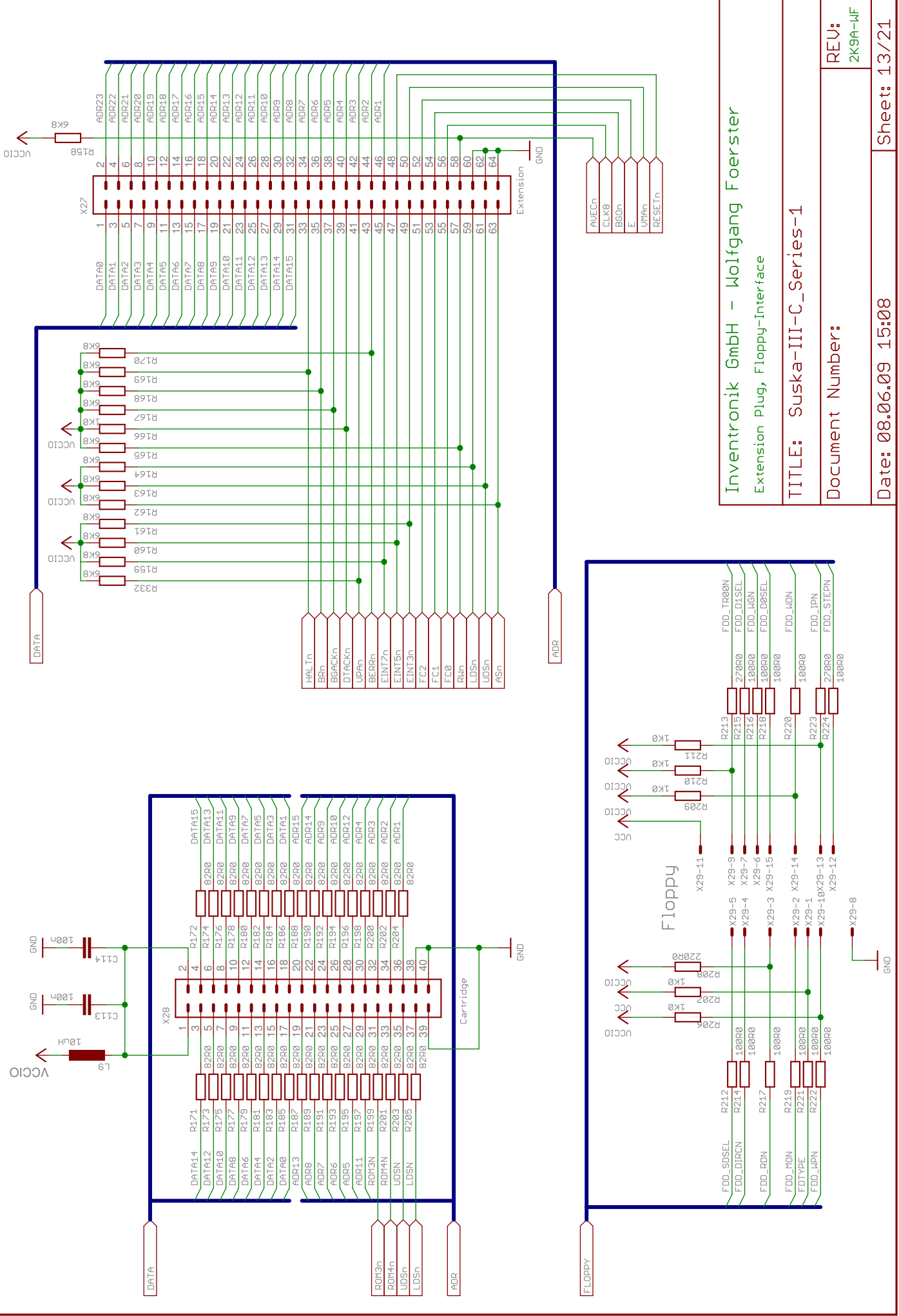
TITLE: Suska-III-C\_Series-1

Document Number:

REV: 2K9A-WF

Date: 08.06.09 15:08

Sheet: 12/21



Inventronik GmbH - Wolfgang Foerster  
 Extension Plug, Floppy-Interface

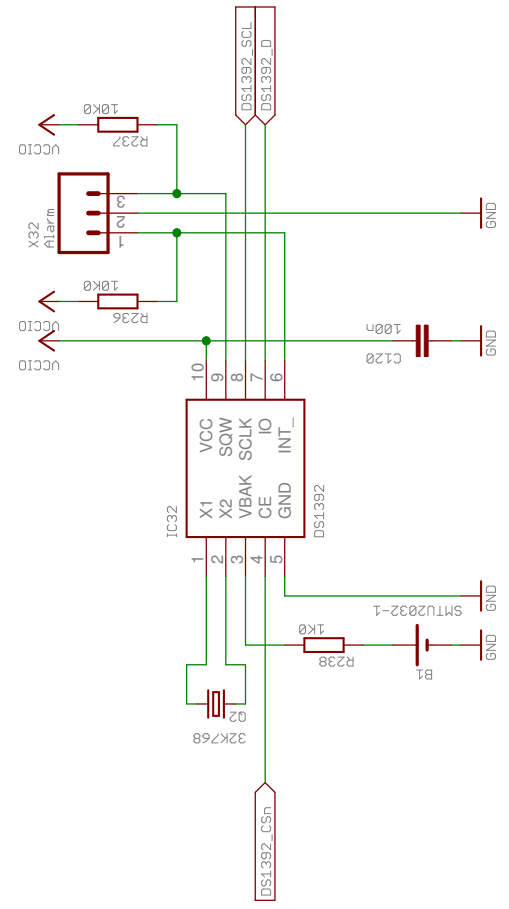
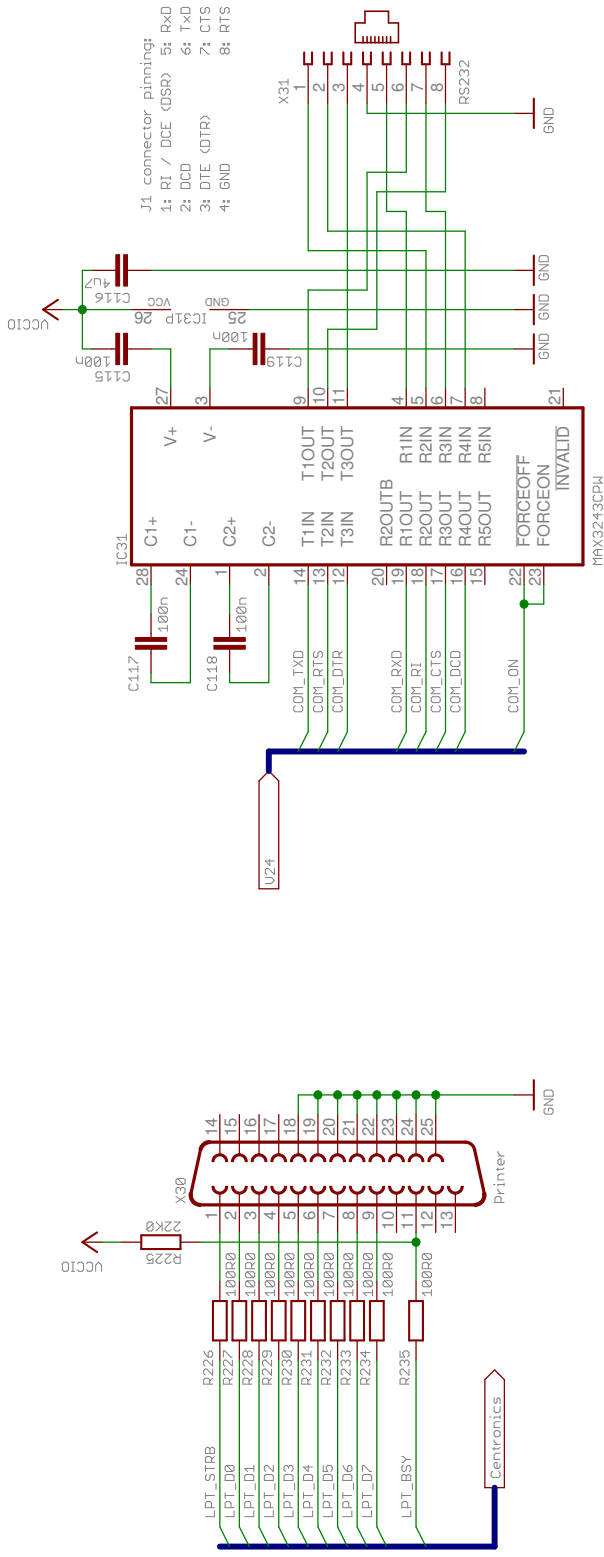
TITLE: Suska-III-C\_Series-1

Document Number:

REV:  
2K9A-WF

Date: 08.06.09 15:08

Sheet: 13/21



Inventronik GmbH - Wolfgang Foerster  
 v24-Interface, Centronics-Interface, Real Time Clock

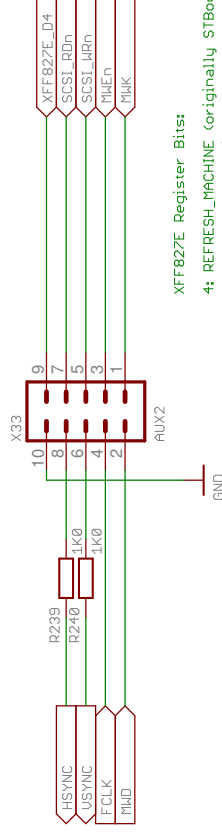
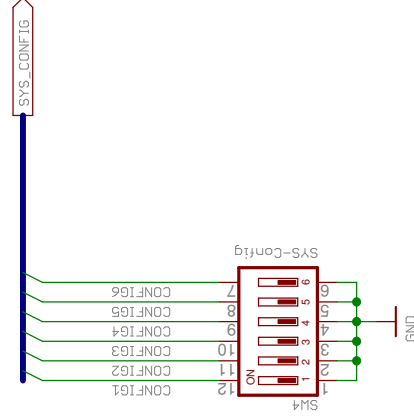
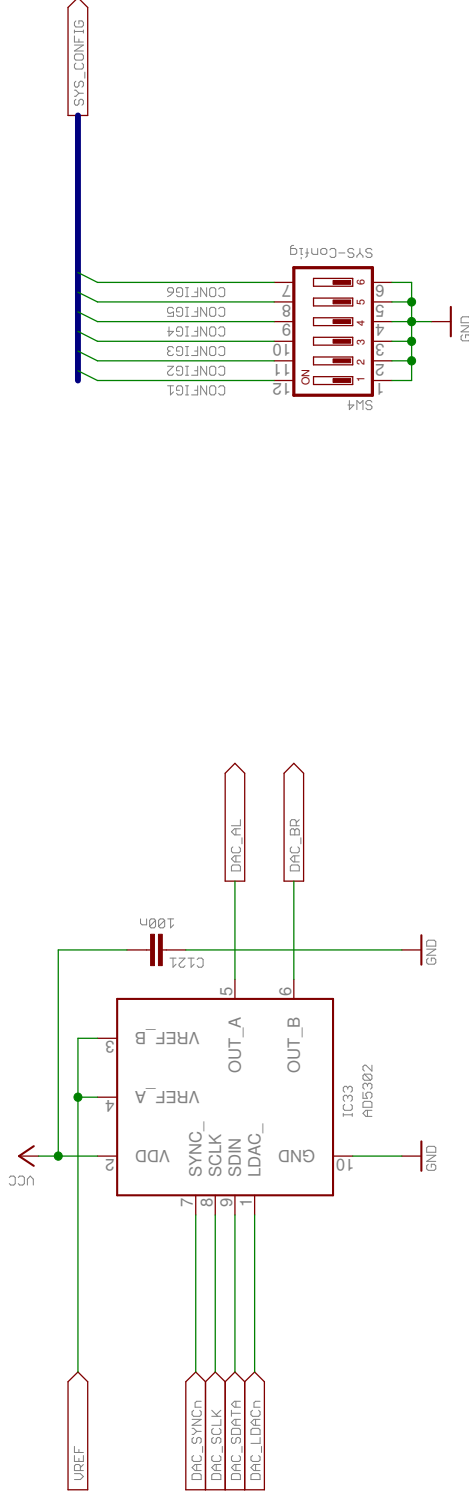
TITLE: Suska-III-C\_Series-1

Document Number:

REV:  
2K9A-WF

Date: 08.06.09 15:08

Sheet: 14/21



XFF827E Register Bits:  
 4: REFRESH\_MACHINE (originally STBook),  
 1: SHFT output (Shifter data stream control, STBook),  
 0: SHADDH chip off (STBook).

Inventronik GmbH - Wolfgang Foerster  
 Audio-DA-Converter, Spares

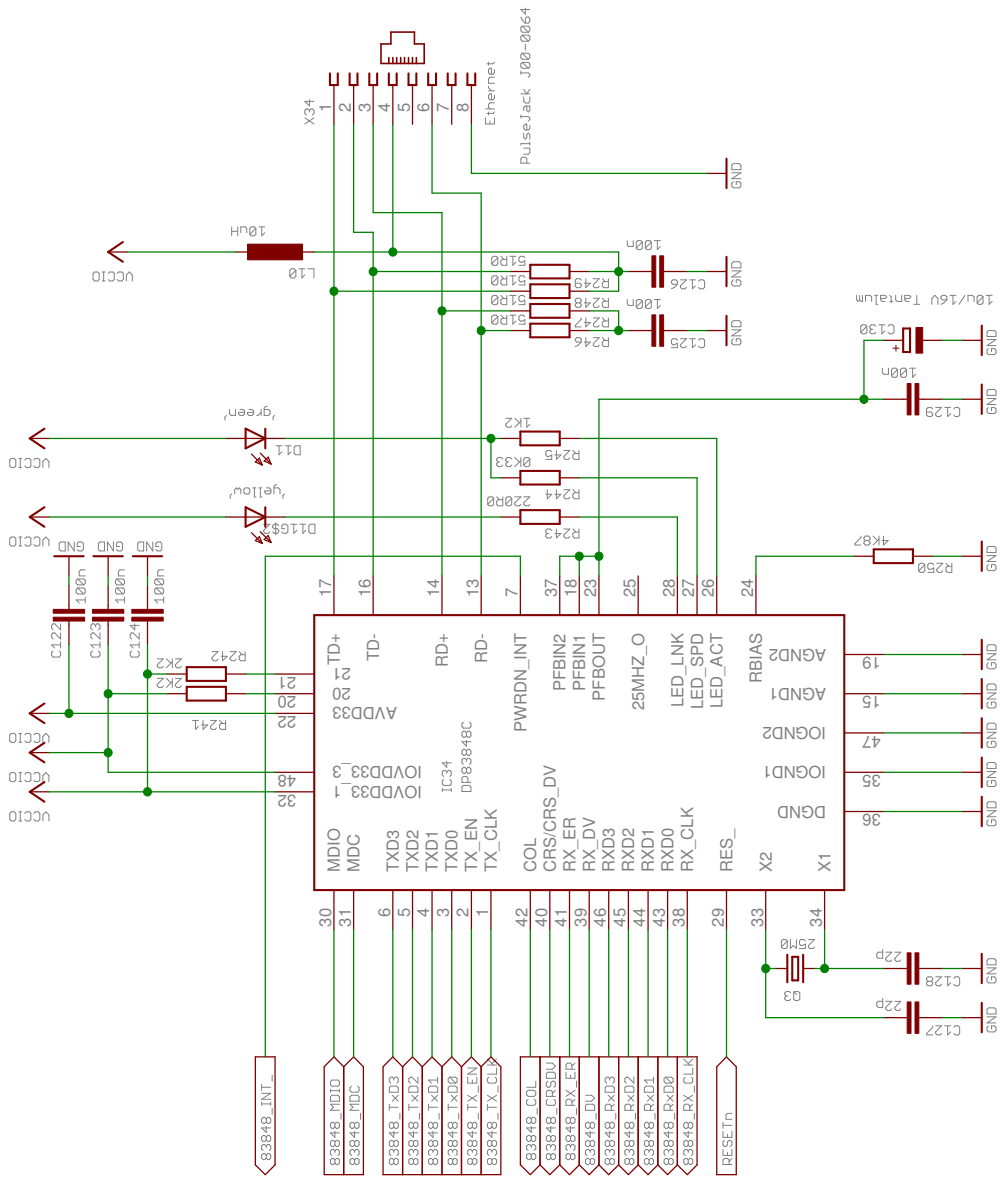
TITLE: Suska-III-C\_Series-1

Document Number:

REV:  
2K9A-WF

Date: 08.06.09 15:08

Sheet: 15/21



Inventronik GmbH - Wolfgang Foerster  
TCP/IP-Interface

TITLE: Suska-III-C\_Series-1

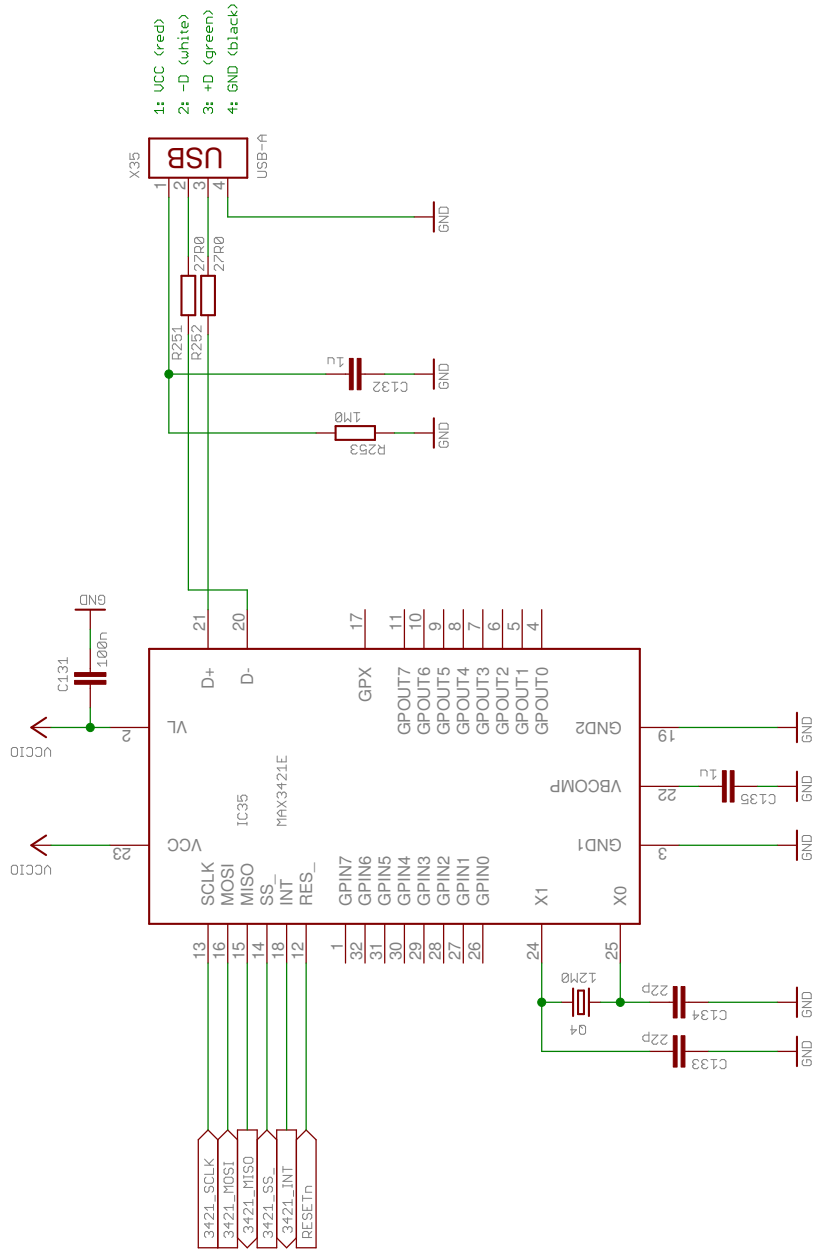
Document Number:

REV:  
2K9A-WF

Date: 08.06.09 15:08

Sheet: 16/21





Inventronik GmbH - Wolfgang Foerster  
 USB20 Host/Device Interface

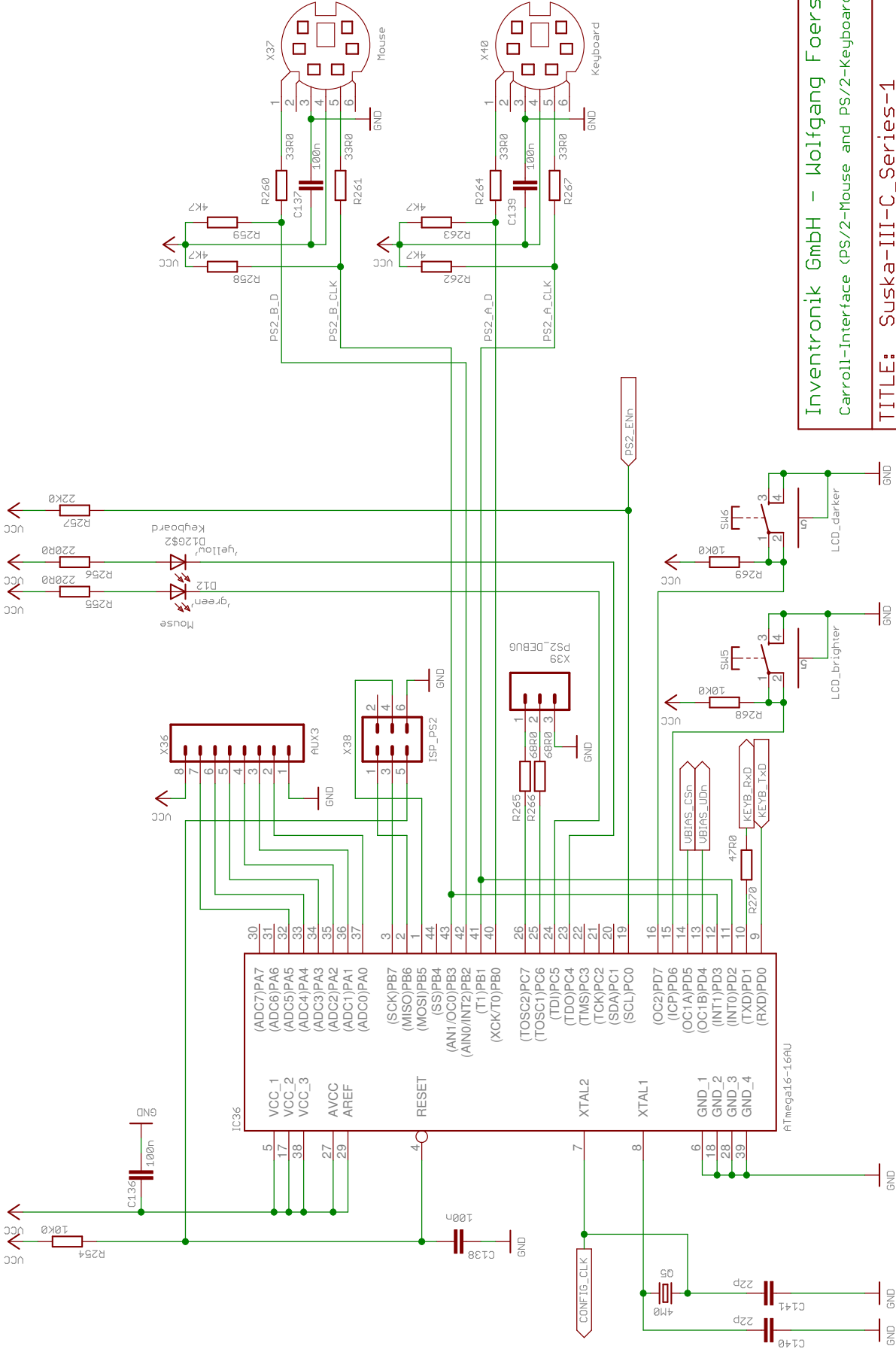
TITLE: Suska-III-C\_Series-1

Document Number:

REV:  
2K9A-WF

Date: 08.06.09 15:08

Sheet: 17/21



Inventronik GmbH - Wolfgang Foerster  
 Carroll-Interface (PS/2-Mouse and PS/2-Keyboard)

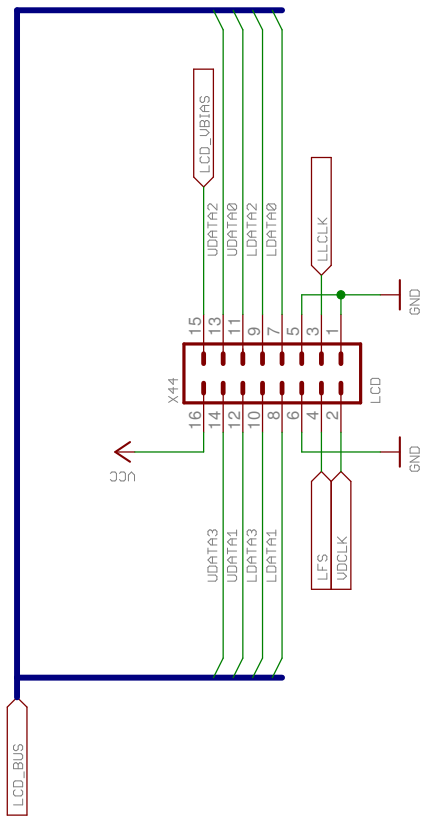
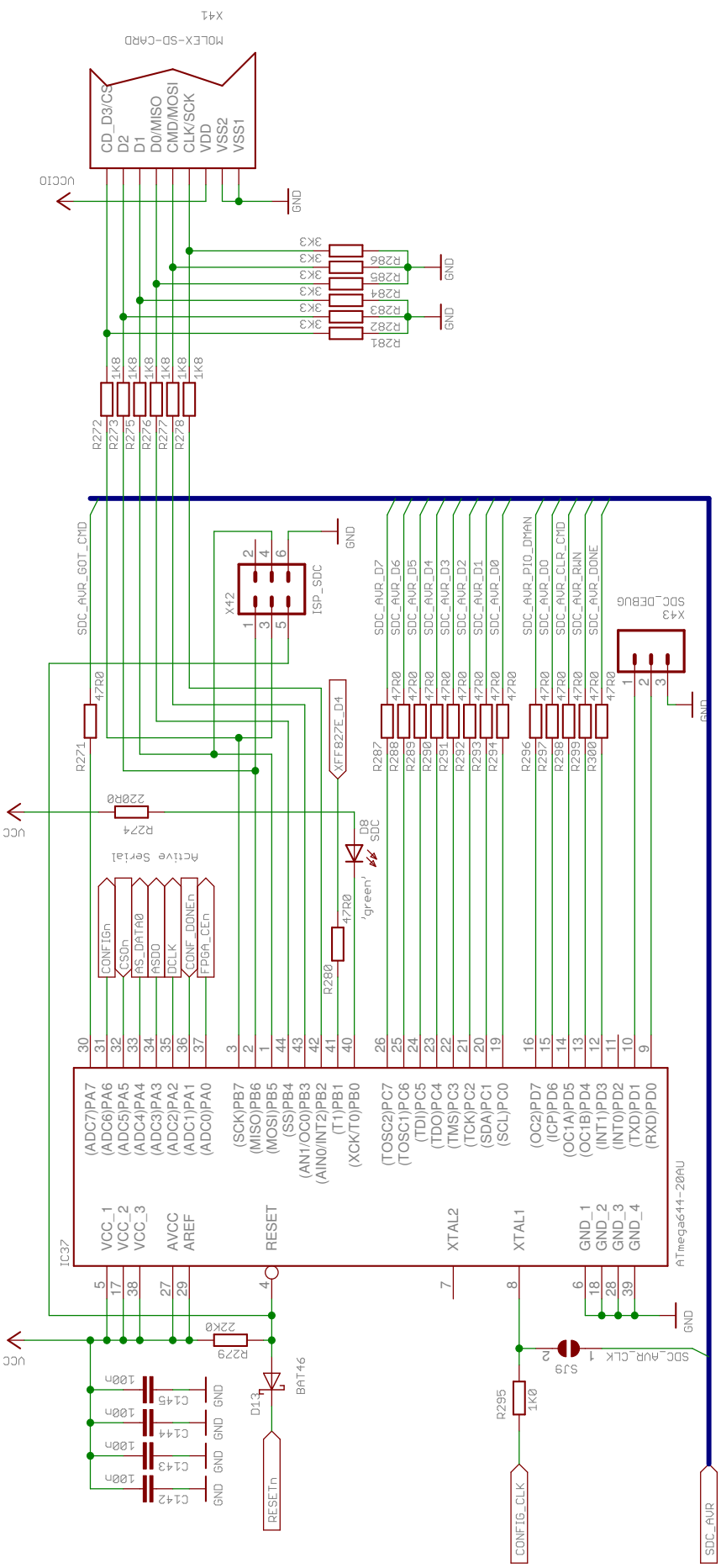
TITLE: Suska-III-C\_Series-1

Document Number:

REV:  
 2K9A-WF

Date: 08.06.09 15:08

Sheet: 18/21



Inventronik GmbH - Wolfgang Foerster  
Video LCD, SD-Card Interface

TITLE: Suska-III-C\_Series-1

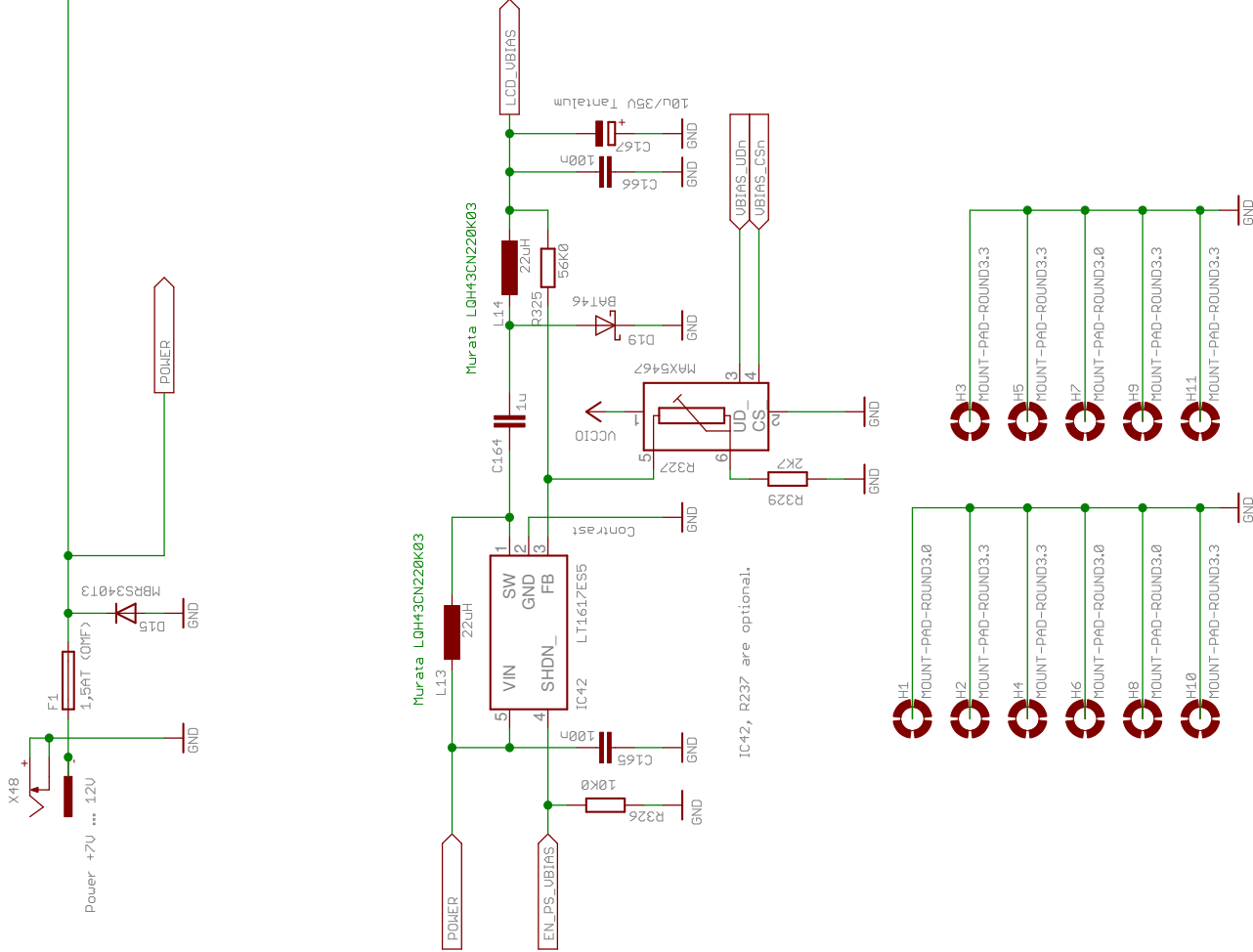
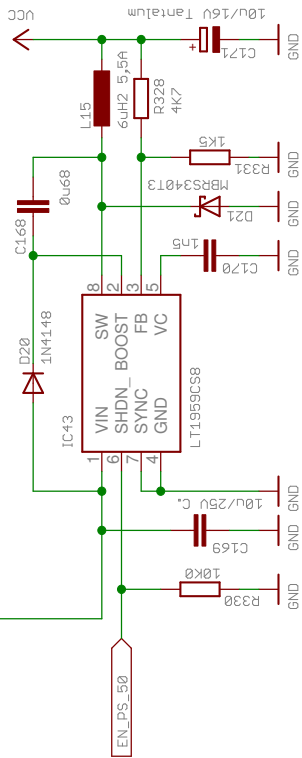
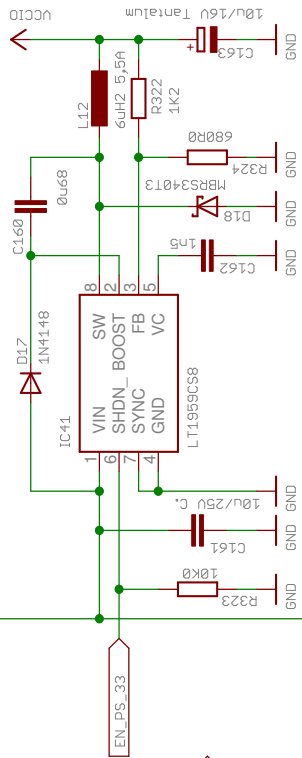
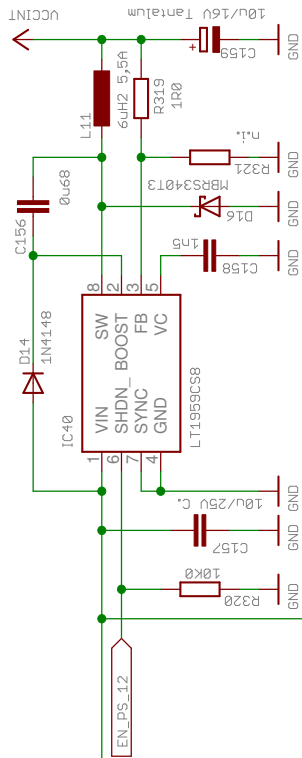
Document Number:

REV:  
2K9A-WF

Date: 08.06.09 15:08

Sheet: 19/21





Inventronik GmbH - Wolfgang Foerster  
 Power Supply  
 TITLE: Suska-III-C\_Series-1  
 Document Number:  
 Date: 08.06.09 15:08  
 REV: 2K9A-WF  
 Sheet: 21/21