

IC16\$2

CRT_R7	37	B2-I/O1	B2-I/O9	49	CRT_B7
CRT_R6	38	B2-I/O2	B2-I/O10	50	CRT_B6
CRT_R5	39	B2-I/O3	B2-I/O11	51	CRT_B5
CRT_R4	41	B2-I/O4	B2-I/O12	52	CRT_B4
CRT_G7	43	B2-I/O5	B2-I/O13	55	USYNC
CRT_G6	44	B2-I/O6	B2-I/O14	56	HSYNC
CRT_G5	45	B2-I/O7	B2-I/O15	57	SDC_CDN
CRT_G4	46	B2-I/O8			

EP3C25Q240

IC16\$7

ADR15	181	B7-I/O1	B7-I/O10	194	ADR14
ADR13	182	B7-I/O2	B7-I/O11	195	ADR12
ADR11	183	B7-I/O3	B7-I/O12	196	ADR10
ADR9	184	B7-I/O4	B7-I/O13	197	ADR8
ADR7	185	B7-I/O5	B7-I/O14	200	ADR6
ADR5	186	B7-I/O6	B7-I/O15	201	ADR4
ADR3	187	B7-I/O7	B7-I/O16	202	ADR2
ADR1	188	B7-I/O8	B7-I/O17	203	ADR17
ADR16	189	B7-I/O9	B7-I/O18	207	ADR18

EP3C25Q240

IC16\$3

SDC_D3	63	B3-I/O1	B3-I/O10	76	FLASH_OEN
SDC_D2	64	B3-I/O2	B3-I/O11	78	FLASH_CEN
SDC_D1	65	B3-I/O3	B3-I/O12	80	FLASH_WEN
JOY_A5	68	B3-I/O4	B3-I/O13	81	ADR22
JOY_A2	69	B3-I/O5	B3-I/O14	82	ADR21
INIT_DONE	70	B3-I/O6	B3-I/O15	83	ADR20
DS1392_CE	71	B3-I/O7	B3-I/O16	84	UDAC_CLK
DS1392_SCL	72	B3-I/O8	B3-I/O17	87	RAM_RASN
DS1392_D	73	B3-I/O9	B3-I/O18	88	RAM_CASN

EP3C25Q240

IC16\$8

ADR19	214	B8-I/O1	B8-I/O11	231	DATA9
DATA0	216	B8-I/O2	B8-I/O12	232	DATA10
DATA1	217	B8-I/O3	B8-I/O13	233	DATA11
DATA2	218	B8-I/O4	B8-I/O14	234	DATA12
DATA3	219	B8-I/O5	B8-I/O15	235	DATA13
DATA4	221	B8-I/O6	B8-I/O16	236	DATA14
DATA5	223	B8-I/O7	B8-I/O17	237	DATA15
DATA6	224	B8-I/O8	B8-I/O18	238	SDC_WP
DATA7	226	B8-I/O9	B8-I/O19	239	KEYB_TXD
DATA8	230	B8-I/O10	B8-I/O20	240	KEYB_RXD

EP3C25Q240

IC16\$4

RAM_ADR0	93	B4-I/O1	B4-I/O11	109	RAM_ADR10
RAM_ADR1	94	B4-I/O2	B4-I/O12	110	RAM_ADR11
RAM_ADR2	95	B4-I/O3	B4-I/O13	111	RAM_ADR12
RAM_ADR3	98	B4-I/O4	B4-I/O14	112	RAM_BA0
RAM_ADR4	99	B4-I/O5	B4-I/O15	113	RAM_BA1
RAM_ADR5	100	B4-I/O6	B4-I/O16	114	RAM_WEN
RAM_ADR6	103	B4-I/O7	B4-I/O17	117	RAM_CLK
RAM_ADR7	106	B4-I/O8	B4-I/O18	118	RAM_CKE
RAM_ADR8	107	B4-I/O9	B4-I/O19	119	RAM_DQMH
RAM_ADR9	108	B4-I/O10	B4-I/O20	120	RAM_DQML

EP3C25Q240

IC16\$1

RESETN	4	B1-I/O1	B1-I/O6	13	LED3
SDC_SPI_CLK	5	B1-I/O2	B1-I/O7	14	CS0N
MOSI	6	B1-I/O3	B1-I/O8	18	JOY_DIS
MISO	9	B1-I/O4	B1-I/O9	21	BOOT_ACK
ASDO	12	B1-I/O5	B1-I/O10	22	BOOT_REQ

ASDO/2.1D Configuration-signal

CS0N/2.2D Configuration-signal

EP3C25Q240

IC16\$6

CONFIG1	160	B6-I/O1	B6-I/O7	169	LED1
CONFIG2	161	B6-I/O2	B6-I/O8	171	DAC_SYNCN
CONFIG3	164	B6-I/O3	B6-I/O9	173	DAC_LDACN
CONFIG4	166	B6-I/O4	B6-I/O10	176	DAC_SDATA
CONFIG5	167	B6-I/O5	B6-I/O11	177	DAC_SCLK
CONFIG6	168	B6-I/O6			

EP3C25Q240

IC16\$5

RAM_D0	126	B5-I/O1	B5-I/O10	139	RAM_D9
RAM_D1	127	B5-I/O2	B5-I/O11	142	RAM_D10
RAM_D2	128	B5-I/O3	B5-I/O12	143	RAM_D11
RAM_D3	131	B5-I/O4	B5-I/O13	144	RAM_D12
RAM_D4	132	B5-I/O5	B5-I/O14	145	RAM_D13
RAM_D5	133	B5-I/O6	B5-I/O15	146	RAM_D14
RAM_D6	134	B5-I/O7	B5-I/O16	147	RAM_D15
RAM_D7	135	B5-I/O8	B5-I/O17	148	LED2
RAM_D8	137	B5-I/O9			

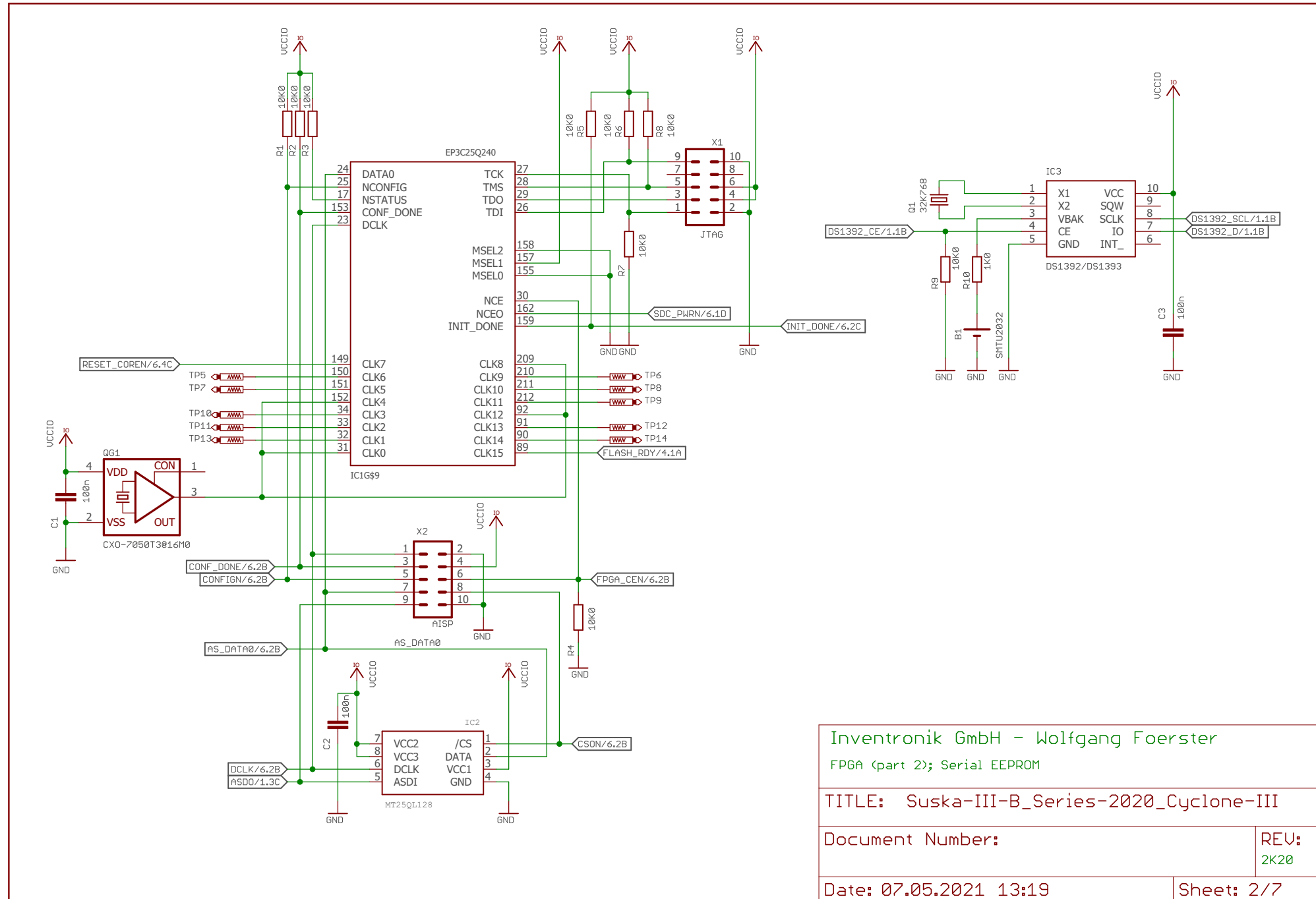
EP3C25Q240

Inventronik GmbH - Wolfgang Foerster

FPGA (part 1)

TITLE: Suska-III-B_Series-2020_Cyclone-III

Document Number:	REV: 2K20
Date: 07.05.2021 13:19	Sheet: 1/7

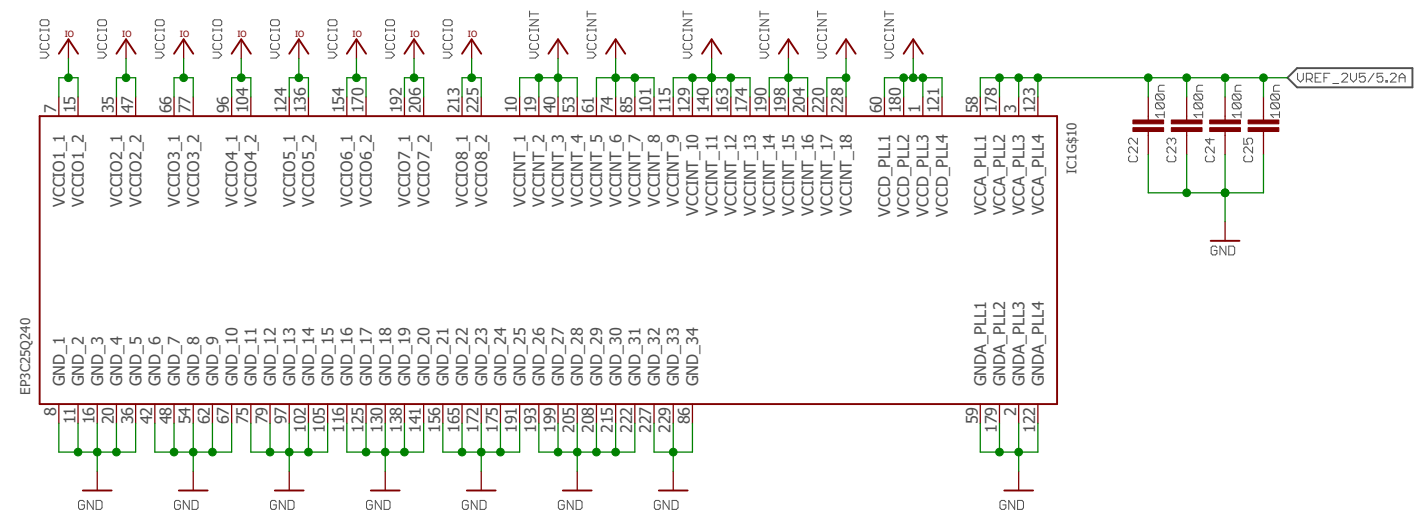
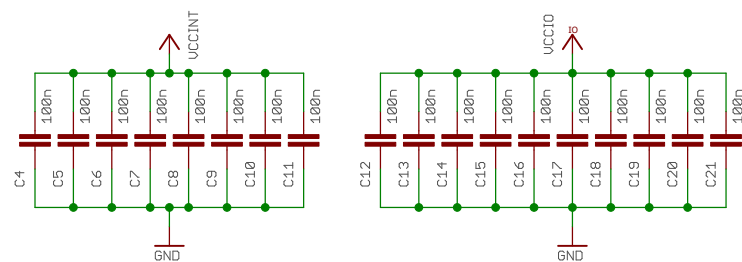


Inventronik GmbH - Wolfgang Foerster
 FPGA (part 2); Serial EEPROM

TITLE: Suska-III-B_Series-2020_Cyclone-III

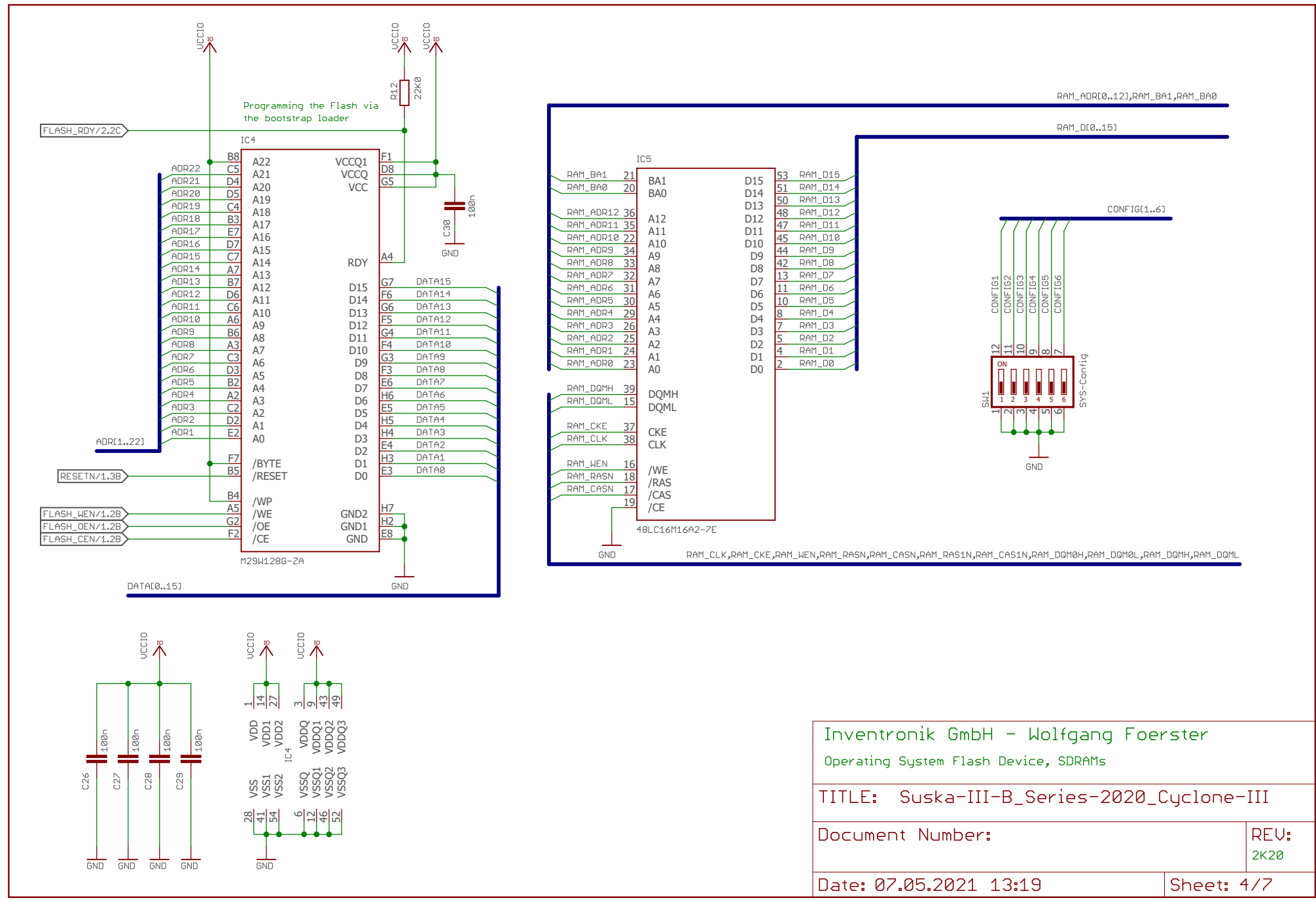
Document Number:	REV: 2K20
------------------	--------------

Date: 07.05.2021 13:19	Sheet: 2/7
------------------------	------------



Some power pins are not connected to enable vertical migration with the EP3C16Q240 device.

Inventronik GmbH - Wolfgang Foerster	
FPGA (part 3)	
TITLE: Suska-III-B_Series-2020_Cyclone-III	
Document Number:	REV: 2K20
Date: 07.05.2021 13:19	Sheet: 3/7

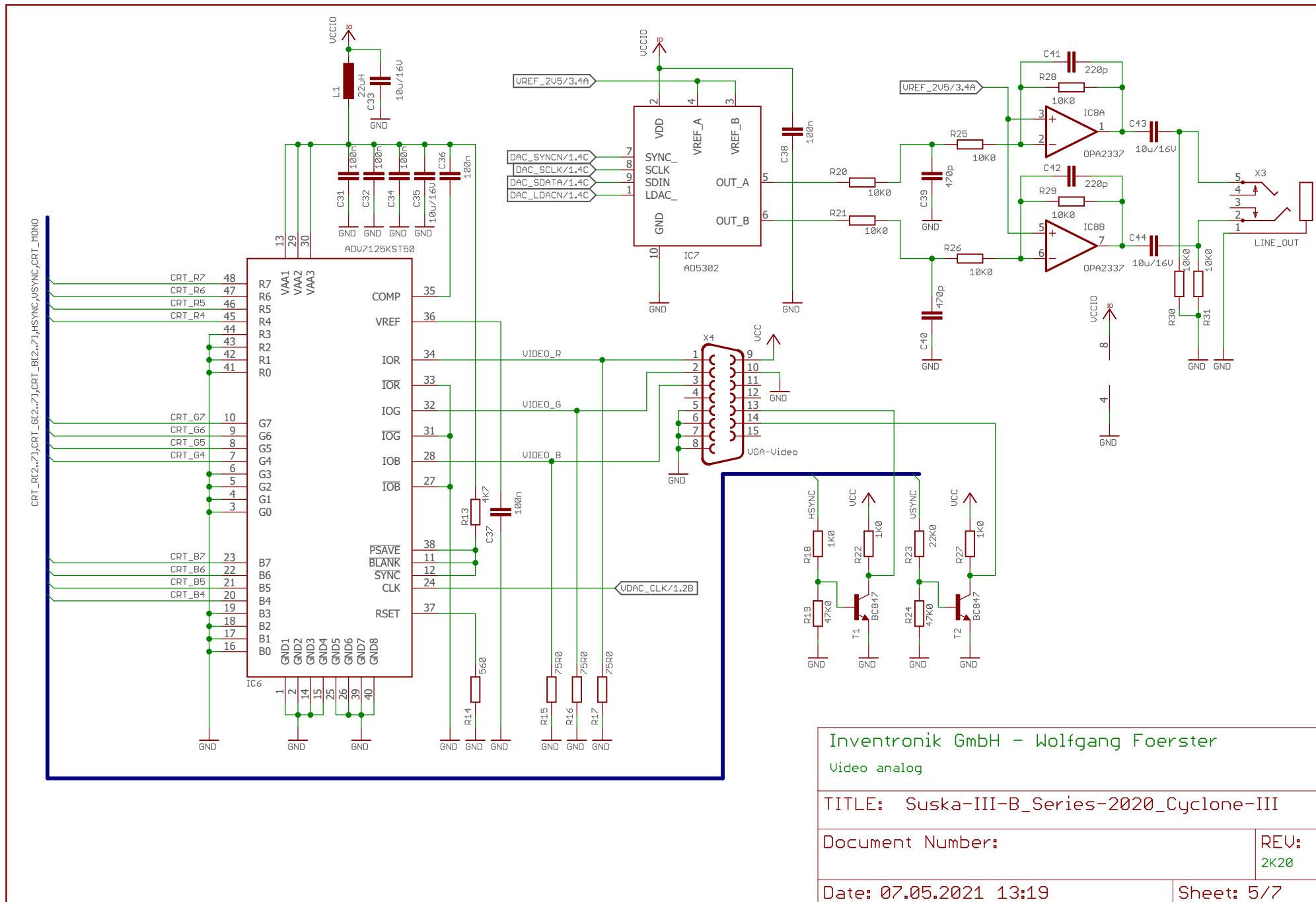


Inventronik GmbH - Wolfgang Foerster
 Operating System Flash Device, SDRAMs

TITLE: Suska-III-B_Series-2020_Cyclone-III

Document Number: _____ REV: 2K20

Date: 07.05.2021 13:19 Sheet: 4/7

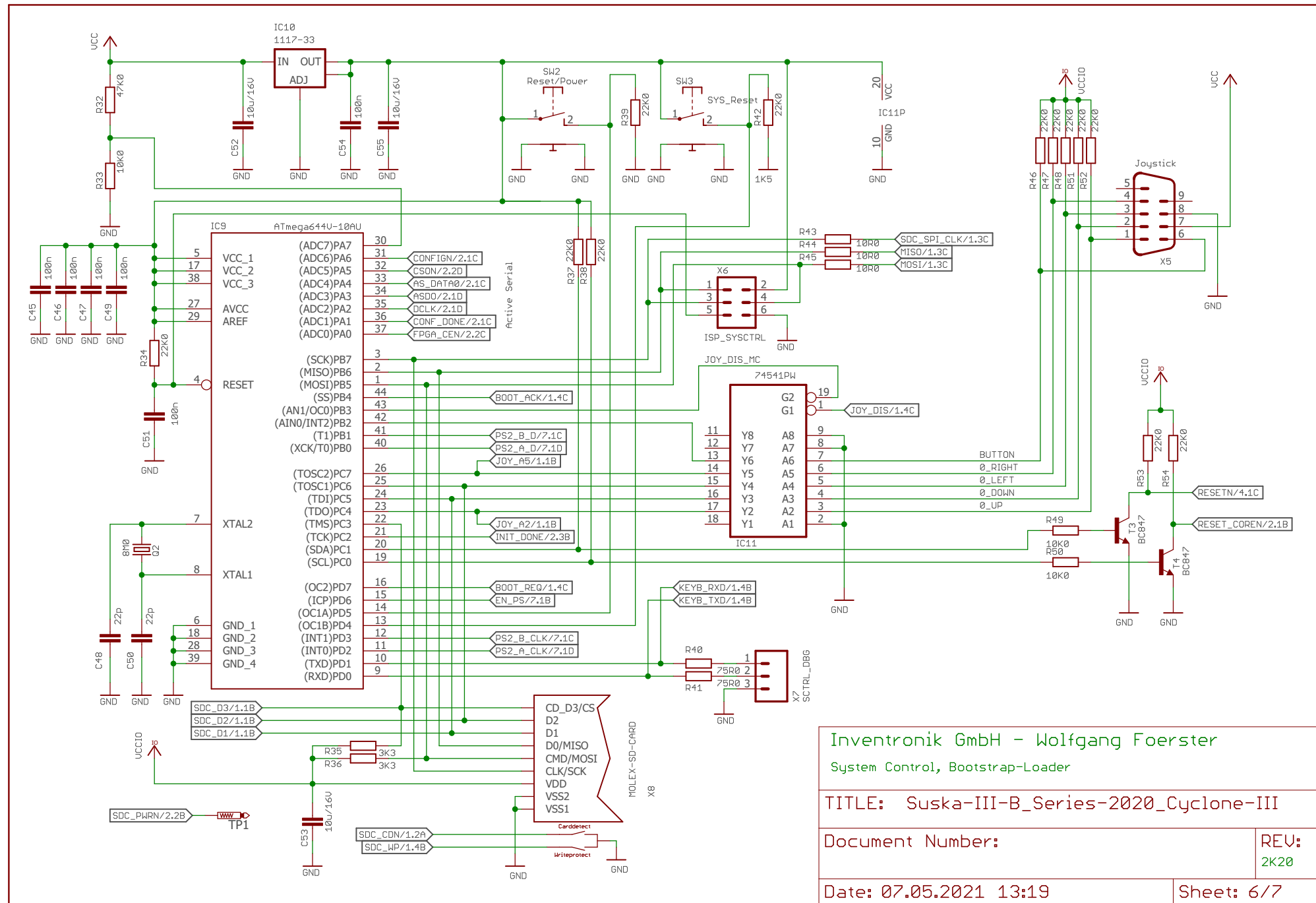


Inventronik GmbH - Wolfgang Foerster
 Video analog

TITLE: Suska-III-B_Series-2020_Cyclone-III

Document Number: REV: 2K20

Date: 07.05.2021 13:19 Sheet: 5/7

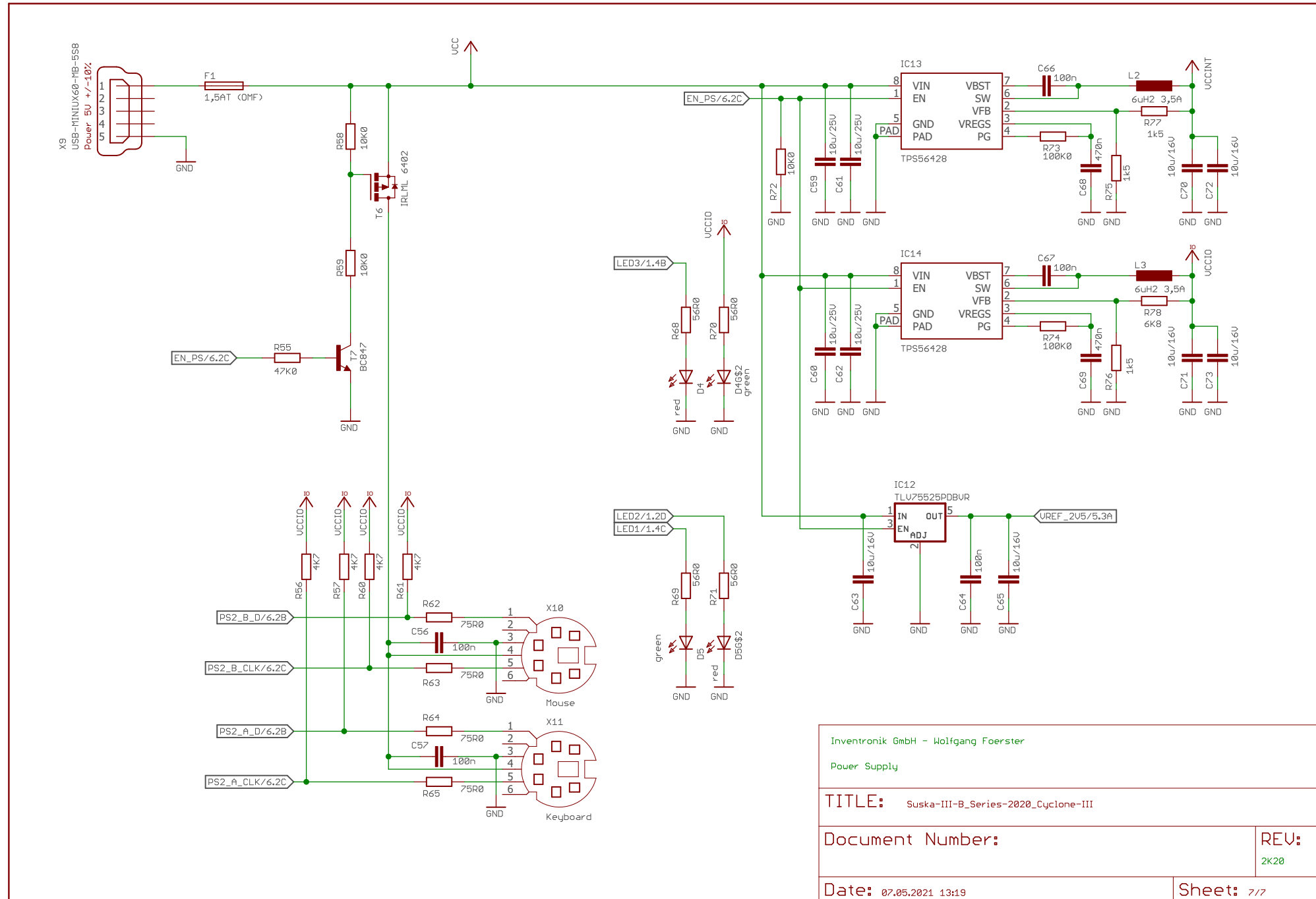


Inventronik GmbH - Wolfgang Foerster
 System Control, Bootstrap-Loader

TITLE: Suska-III-B-Series-2020_Cyclone-III

Document Number: _____ REV: 2K20

Date: 07.05.2021 13:19 Sheet: 6/7



Inventronik GmbH - Wolfgang Foerster	
Power Supply	
TITLE: Suska-III-B_Series-2020_Cyclone-III	
Document Number:	REV: 2k20
Date: 07.05.2021 13:19	Sheet: 7/7