

IC1					
PADRSTN	M5	B1-I/O1	B1-I/O23	R8	CA1_OUT
JOY_RHN	M6	B1-I/O2	B1-I/O24	T1	SYS_BOOT_REQ
JOY_RLN	M7	B1-I/O3	B1-I/O25	T2	SYS_BOOT_ACK
BUTTONN	M8	B1-I/O4	B1-I/O26	T3	CONFIG1
SCSI_RSTN	N1	B1-I/O5	B1-I/O27	T5	CONFIG2
SYS_MISO	N2	B1-I/O6	B1-I/O28	T6	XFF827E_D4
LDATA1	N3	B1-I/O7	B1-I/O29	U1	XFF827E_D2
LDATA0	N4	B1-I/O8	B1-I/O30	U2	SYS_MOSI
JOY_WL	N5	B1-I/O9	B1-I/O31	U3	CONFIG3
JOY_WEN	N6	B1-I/O10	B1-I/O32	U4	RAM_CLK
XFF827E_D3	P1	B1-I/O11	B1-I/O33	V1	SYS_SPI_CLK
XFF827E_D5	P2	B1-I/O12	B1-I/O34	V2	UDATA3
SCSI_RDN	P3	B1-I/O13	B1-I/O35	V4	CONFIG5
MWK	P4	B1-I/O14	B1-I/O36	W1	UDATA2
MWEN	P5	B1-I/O15	B1-I/O37	W2	UDATA1
SCSI_WRN	P6	B1-I/O16	B1-I/O38	W3	CONFIG6
XFF827E_D6	R1	B1-I/O17	B1-I/O39	W4	DAC_SYNCN
XFF827E_D7	R2	B1-I/O18	B1-I/O40	W5	HDRQN
MWD	R4	B1-I/O19	B1-I/O41	Y1	UDATA0
FCLK	R5	B1-I/O20	B1-I/O42	Y2	LDATA3
DAC_SDATA	R6	B1-I/O21	B1-I/O43	Y3	LDATA2
DAC_SCLK	R7	B1-I/O22	B1-I/O44	Y4	DAC_LDACN

EP2C35F484

IC16\$3					
SCSI_DCN	A3	B3-I/O1	B3-I/O20	C9	IDE_IOWRN
SCSI_BUSYN	A4	B3-I/O2	B3-I/O21	C10	IDE_IORDN
ACSI_RDN	A5	B3-I/O3	B3-I/O22	D7	IDE_IORDY
SCSI_SELN	A6	B3-I/O4	B3-I/O23	D8	IDE_INTRQ
SCSI_DP	A7	B3-I/O5	B3-I/O24	D9	83848_MDIO
SCSI_D1	A8	B3-I/O6	B3-I/O25	D11	IDE_CS0N
SCSI_D3	A9	B3-I/O7	B3-I/O26	E7	83848_RXD3
SCSI_D5	A10	B3-I/O8	B3-I/O27	E8	SCSI_IDN_3
SCSI_D7	A11	B3-I/O9	B3-I/O28	E9	SCSI_IDN_2
SCSI_REQN	B3	B3-I/O10	B3-I/O29	E11	IDE_CS1N
SCSI_MSGN	B4	B3-I/O11	B3-I/O30	F8	83848_RXD2
ACSI_WRN	B5	B3-I/O12	B3-I/O31	F9	SCSI_IDN_1
SCSI_CTRL_ENN	B6	B3-I/O13	B3-I/O32	F10	IDE_D_EN_INN
SCSI_ACKN	B7	B3-I/O14	B3-I/O33	F11	IDE_D_EN_OUTN
SCSI_D0	B8	B3-I/O15	B3-I/O34	G7	83848_RXD1
SCSI_D2	B9	B3-I/O16	B3-I/O35	G11	SCSI_I0N
SCSI_D4	B10	B3-I/O17	B3-I/O36	H7	83848_RXD0
SCSI_D6	B11	B3-I/O18	B3-I/O37	H11	83848_RX_DU
83848_RX_CLK	C7	B3-I/O19			

EP2C35F484

IC16\$8					
RAM_DQM1L	R11	B8-I/O1	B8-I/O20	AA3	FDD_WDN
BOOT_LED	T7	B8-I/O2	B8-I/O21	AA4	FDD_WPN
RAM_DQM0H	T8	B8-I/O3	B8-I/O22	AA5	FDD_RDN
RAM_DQM0L	T11	B8-I/O4	B8-I/O23	AA6	FDD_D1SEL
PLL_FAULT	U8	B8-I/O5	B8-I/O24	AA7	LPT_BSY
RAM_RAS1N	U9	B8-I/O6	B8-I/O25	AA8	LPT_D6
RAM_CAS0N	U10	B8-I/O7	B8-I/O26	AA9	LPT_D4
KEYB_TXD	V8	B8-I/O8	B8-I/O27	AA10	LPT_D2
KEYB_RXD	V9	B8-I/O9	B8-I/O28	AA11	LPT_D0
RAM_RAS0N	V11	B8-I/O10	B8-I/O29	AB3	FDD_IPN
DS1392_CE	W7	B8-I/O11	B8-I/O30	AB4	FDD_MON
DS1392_SCL	W8	B8-I/O12	B8-I/O31	AB5	FDD_DIRCN
DS1392_D	W9	B8-I/O13	B8-I/O32	AB6	RESETN
RAM_CAS1N	W11	B8-I/O14	B8-I/O33	AB7	LPT_D7
FDD_SDSEL	Y5	B8-I/O15	B8-I/O34	AB8	LPT_D5
FDD_WGN	Y6	B8-I/O16	B8-I/O35	AB9	LPT_D3
FDD_D0SEL	Y7	B8-I/O17	B8-I/O36	AB10	LPT_D1
FDTYPE	Y9	B8-I/O18	B8-I/O37	AB11	LPT_STRB
FDD_STEPN	Y10	B8-I/O19			

EP2C35F484

IC16\$2					
CRT_MONO	C1	B2-I/O1	B2-I/O20	G2	CRT_R4
CRT_B4	C2	B2-I/O2	B2-I/O21	G3	CD6
CS0	C3	B2-I/O3	B2-I/O22	G5	CD5
ASDO	C4	B2-I/O4	B2-I/O23	G6	MIDI_TLR
CRT_B5	D1	B2-I/O5	B2-I/O24	H1	CRT_R5
CRT_B6	D2	B2-I/O6	B2-I/O25	H2	CRT_R6
CD0	D3	B2-I/O7	B2-I/O26	H3	HSYNC
HDINTN	D4	B2-I/O8	B2-I/O27	H4	MIDI_OLR
SD_AVR_CLK	D5	B2-I/O9	B2-I/O28	H5	CD7
HDACKN	D6	B2-I/O10	B2-I/O29	H6	MIDI_IN
CRT_B7	E1	B2-I/O11	B2-I/O30	J1	CRT_R7
CRT_G4	E2	B2-I/O12	B2-I/O31	J2	USYNC
CD1	E3	B2-I/O13	B2-I/O32	J3	83848_TXD1
CD3	E4	B2-I/O14	B2-I/O33	J4	SPDIF_IN
CRT_G5	F1	B2-I/O15	B2-I/O34	J5	83848_TXD0
CRT_G6	F2	B2-I/O16	B2-I/O35	J6	UART_MIDI_RTSN
CD2	F3	B2-I/O17	B2-I/O36	L7	UART_MIDI_DCDN
CD4	F4	B2-I/O18	B2-I/O37	L8	UART_MIDI_CTSN
CRT_G7	G1	B2-I/O19			

EP2C35F484

CS0/3.2D
ASDO/3.1D
Configuration-signals

Inventronik GmbH - Wolfgang Foerster
FPGA (part1)

TITLE: Suska-III-C_Series-2

Document Number: _____ REV: 2K10B-WF

Date: 07.05.2021 13:12 Sheet: 1/21

IC1G\$4			
ADR15	A13	B4-I/O1	B4-I/O18
ADR13	A14	B4-I/O2	B4-I/O19
ADR11	A15	B4-I/O3	B4-I/O20
ADR9	A16	B4-I/O4	B4-I/O21
ADR7	A17	B4-I/O5	B4-I/O22
ADR5	A18	B4-I/O6	B4-I/O23
ADR3	A19	B4-I/O7	B4-I/O24
ADR1	A20	B4-I/O8	B4-I/O25
ADR16	B13	B4-I/O9	B4-I/O26
ADR14	B14	B4-I/O10	B4-I/O27
ADR12	B15	B4-I/O11	B4-I/O28
ADR10	B16	B4-I/O12	B4-I/O29
ADR8	B17	B4-I/O13	B4-I/O30
ADR6	B18	B4-I/O14	B4-I/O31
ADR4	B19	B4-I/O15	B4-I/O32
ADR2	B20	B4-I/O16	B4-I/O33
ADR17	C13	B4-I/O17	B4-I/O34
			C14 ADR18
			C16 ADR20
			C17 ADR22
			C18 ADR21
			D14 83848_CRS_DV
			D15 ADR19
			D16 ADR23
			E14 83848_TX_CLK
			E15 83848_COL
			F12 FLASH_OEN
			F13 FLASH_CEN
			F14 FLASH_WEN
			F15 FLASH_ADR19
			G16 FLASH_ADR18
			H14 83848_INT_
			H15 FLASH_RDY
			J14 83848_RX_ER

EP2C35F484

IC1G\$5			
3421_MOSI	C19	B5-I/O1	B5-I/O22
83848_TX_EN	C20	B5-I/O2	B5-I/O23
DATA1	C21	B5-I/O3	B5-I/O24
DATA0	C22	B5-I/O4	B5-I/O25
3421_MISO	D19	B5-I/O5	B5-I/O26
83848_TXD2	D20	B5-I/O6	B5-I/O27
DATA3	D21	B5-I/O7	B5-I/O28
DATA2	D22	B5-I/O8	B5-I/O29
3421_SCLK	E18	B5-I/O9	B5-I/O30
3421_SS_	E19	B5-I/O10	B5-I/O31
83848_TXD3	E20	B5-I/O11	B5-I/O32
DATA5	E21	B5-I/O12	B5-I/O33
DATA4	E22	B5-I/O13	B5-I/O34
83848_MDC	F20	B5-I/O14	B5-I/O35
DATA7	F21	B5-I/O15	B5-I/O36
DATA6	F22	B5-I/O16	B5-I/O37
CODEC_SCLK	G17	B5-I/O17	B5-I/O38
CODEC_SDOUT	G18	B5-I/O18	B5-I/O39
3421_INT	G20	B5-I/O19	B5-I/O40
DATA9	G21	B5-I/O20	B5-I/O41
DATA8	G22	B5-I/O21	B5-I/O42
		H16 ROM4N	
		H17 ROM3N	
		H18 ROM2N	
		H19 COM_RXD	
		H21 DATA11	
		H22 DATA10	
		J15 ROM1N	
		J17 COM_TXD	
		J18 COM_RI	
		J19 COM_RTS	
		J20 COM_CTS	
		J21 DATA13	
		J22 DATA12	
		K17 AVECN	
		K18 COM_DTR	
		K20 COM_DCD	
		K21 DATA15	
		K22 DATA14	
		L17 ROM0N	
		L18 ROM5N	
		L19 ROM6N	

EP2C35F484

IC1G\$6			
LFS	M15	B6-I/O1	B6-I/O21
LLCLK	M16	B6-I/O2	B6-I/O22
CLK_AUX	M18	B6-I/O3	B6-I/O23
CODEC_SSYNC	M19	B6-I/O4	B6-I/O24
VDCLK	N15	B6-I/O5	B6-I/O25
RWN	N21	B6-I/O6	B6-I/O26
BERRN	N22	B6-I/O7	B6-I/O27
SD_SPI_SS0	P15	B6-I/O8	B6-I/O28
SD_SPI_SS1	P17	B6-I/O9	B6-I/O29
SD_SPI_SS2	P18	B6-I/O10	B6-I/O30
SD_RFU2	P19	B6-I/O11	B6-I/O31
SD_RFU1	P20	B6-I/O12	B6-I/O32
UDSN	P21	B6-I/O13	B6-I/O33
LDSN	P22	B6-I/O14	B6-I/O34
SD_RESET	R17	B6-I/O15	B6-I/O35
SD_RESET_CORE	R18	B6-I/O16	B6-I/O36
SD_BOOT_ACK	R19	B6-I/O17	B6-I/O37
HDCSN	R20	B6-I/O18	B6-I/O38
HALTN	R21	B6-I/O19	B6-I/O39
ASN	R22	B6-I/O20	
			T18 SD_SPI_MOSI
			T21 BGACKN
			T22 BRN
			U18 SD_SPI_MISO
			U19 SD_SPI_CLK
			U20 SD_RFU3
			U21 UPAN
			U22 DTACKN
			V20 SD_AVR_EN
			V21 FC1
			V22 FC2
			W18 SD_BOOT_REQ
			W21 UMAN
			W22 FC0
			Y18 YM_OUT_A
			Y19 YM_OUT_B
			Y20 YM_OUT_C
			Y21 E
			Y22 BGON

EP2C35F484

IC1G\$7			
RAM_BA0	R14	B7-I/O1	B7-I/O18
RAM_ADR3	R15	B7-I/O2	B7-I/O19
RAM_ADR2	R16	B7-I/O3	B7-I/O20
RAM_ADR1	T16	B7-I/O4	B7-I/O21
RAM_D1	U13	B7-I/O5	B7-I/O22
RAM_WEN	U14	B7-I/O6	B7-I/O23
RAM_DQM1H	U15	B7-I/O7	B7-I/O24
RAM_BA1	V14	B7-I/O8	B7-I/O25
RAM_ADR0	V15	B7-I/O9	B7-I/O26
RAM_ADR10	W14	B7-I/O10	B7-I/O27
RAM_D4	W15	B7-I/O11	B7-I/O28
RAM_D5	W16	B7-I/O12	B7-I/O29
RAM_D2	Y13	B7-I/O13	B7-I/O30
RAM_D3	Y14	B7-I/O14	B7-I/O31
RAM_D6	Y16	B7-I/O15	B7-I/O32
RAM_D7	Y17	B7-I/O16	B7-I/O33
RAM_D0	AA12	B7-I/O17	B7-I/O34
		AA13 RAM_D15	
		AA14 RAM_D13	
		AA15 RAM_D11	
		AA16 RAM_D9	
		AA17 RAM_ADR12	
		AA18 RAM_ADR9	
		AA19 RAM_ADR7	
		AA20 RAM_ADR5	
		AB12 CONFIG4	
		AB13 RAM_D14	
		AB14 RAM_D12	
		AB15 RAM_D10	
		AB16 RAM_D8	
		AB17 RAM_ADR11	
		AB18 RAM_ADR8	
		AB19 RAM_ADR6	
		AB20 RAM_ADR4	

EP2C35F484

Inventronik GmbH - Wolfgang Foerster

FPGA (part 2)

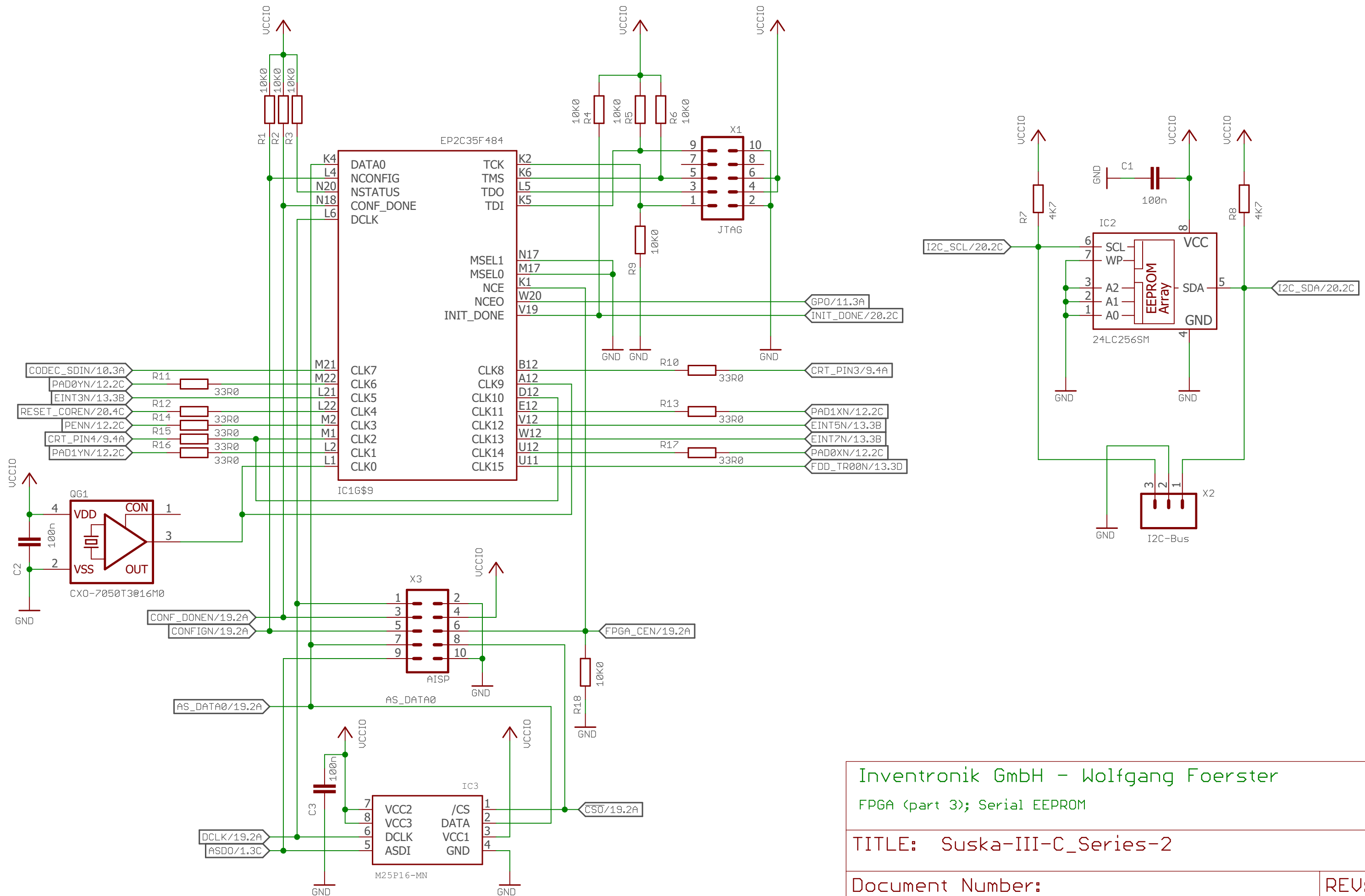
TITLE: Suska-III-C_Series-2

Document Number:

REV:
2K9A-WF

Date: 07.05.2021 13:12

Sheet: 2/21



Inventronik GmbH - Wolfgang Foerster

FPGA (part 3); Serial EEPROM

TITLE: Suska-III-C_Series-2

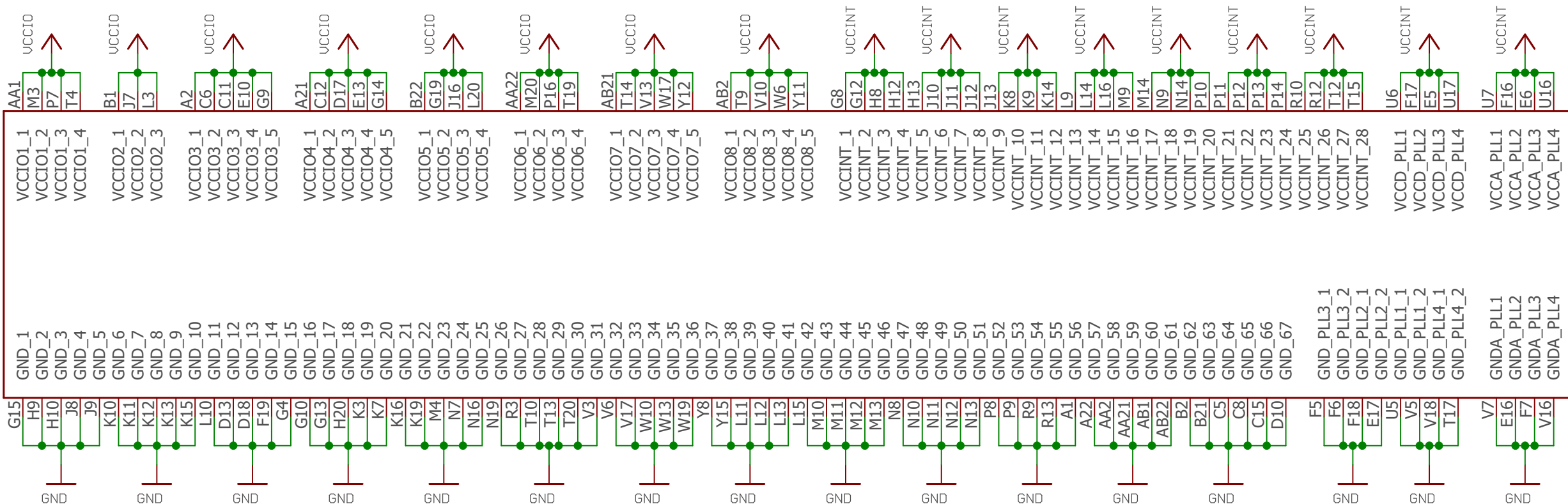
Document Number:

REV:
2K9A-WF

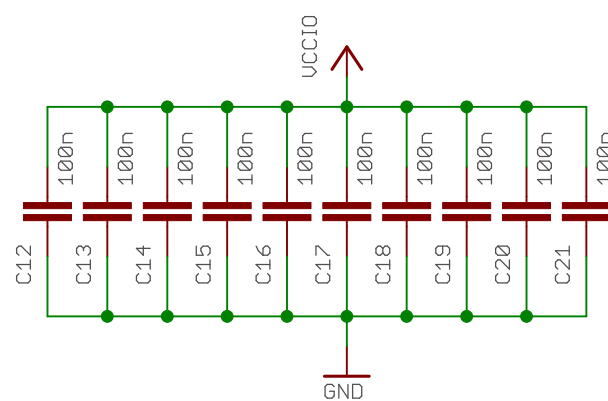
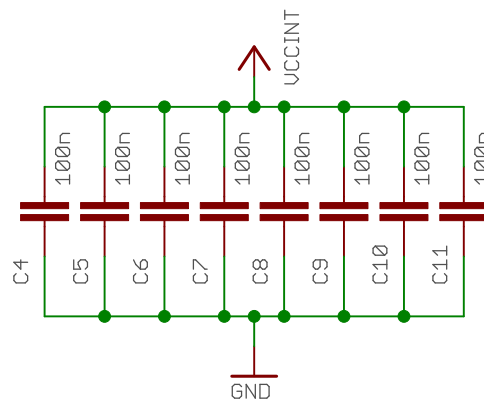
Date: 07.05.2021 13:12

Sheet: 3/21

EP2C35F484



IC16\$10

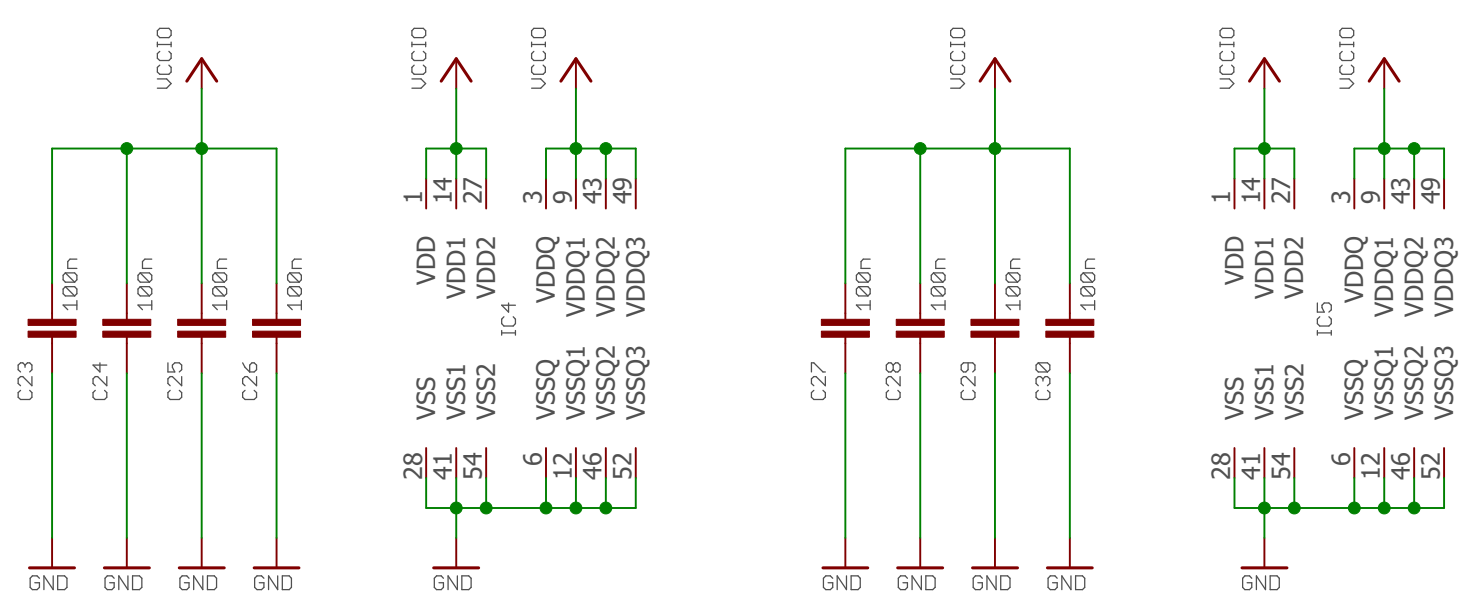
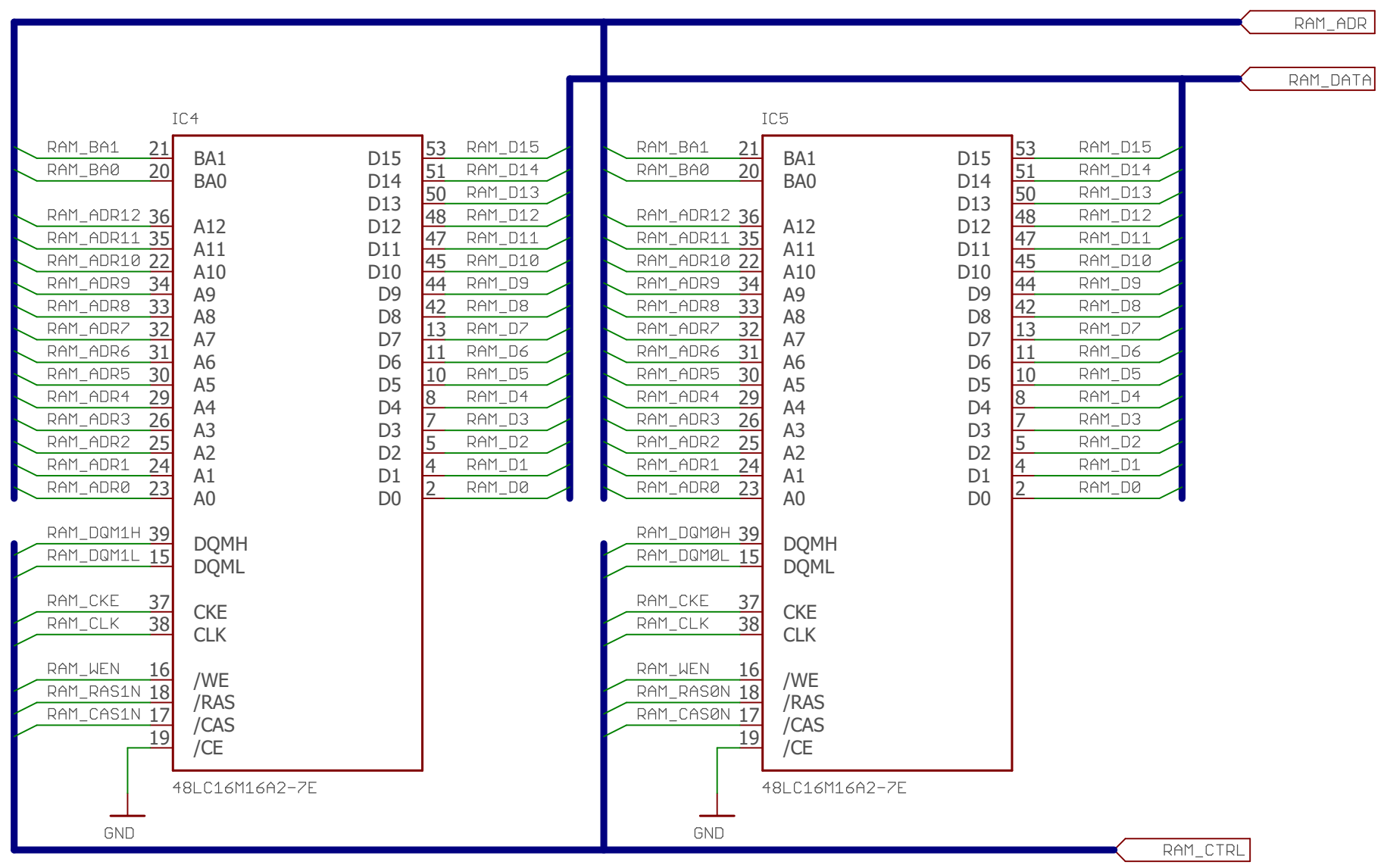
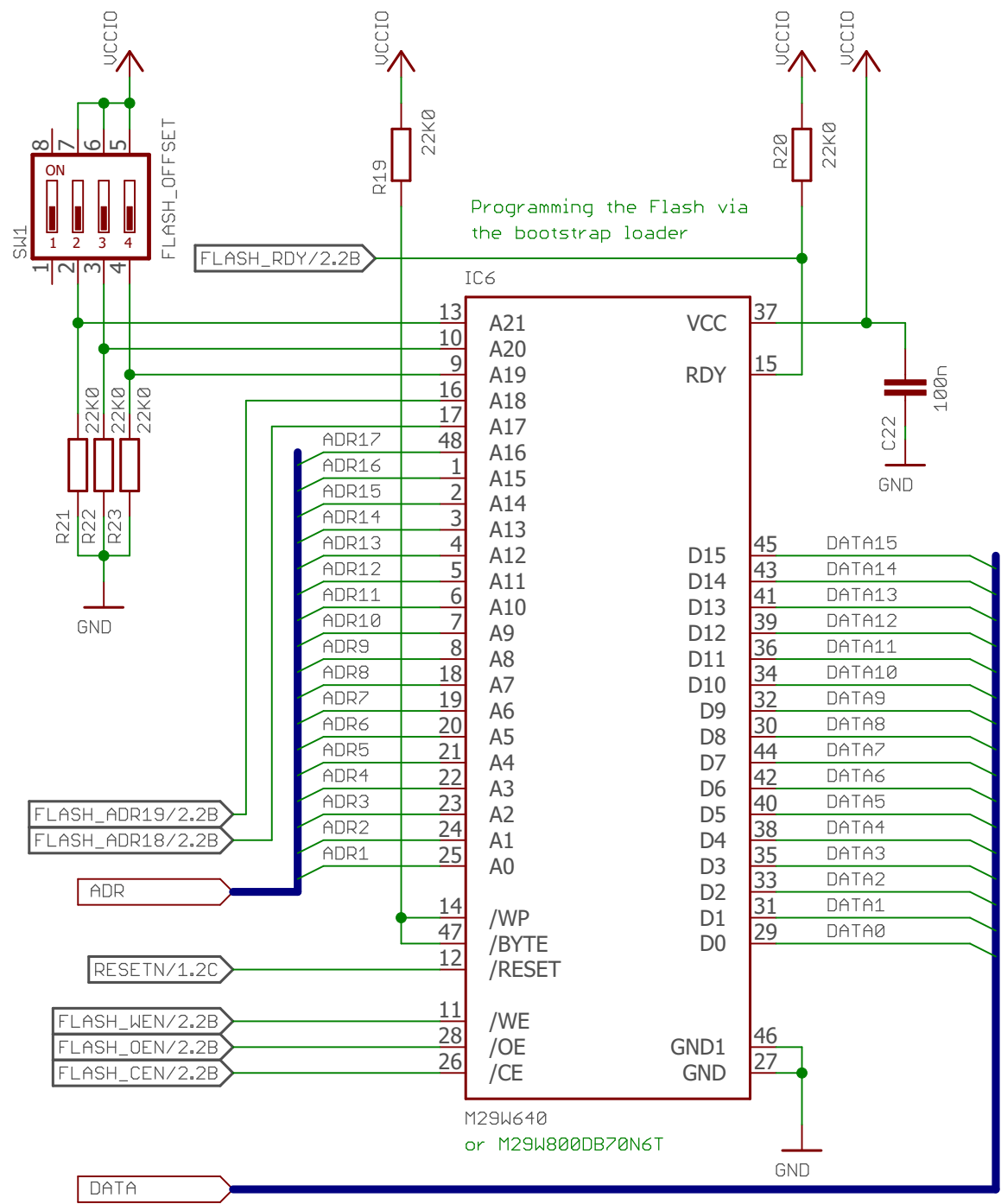


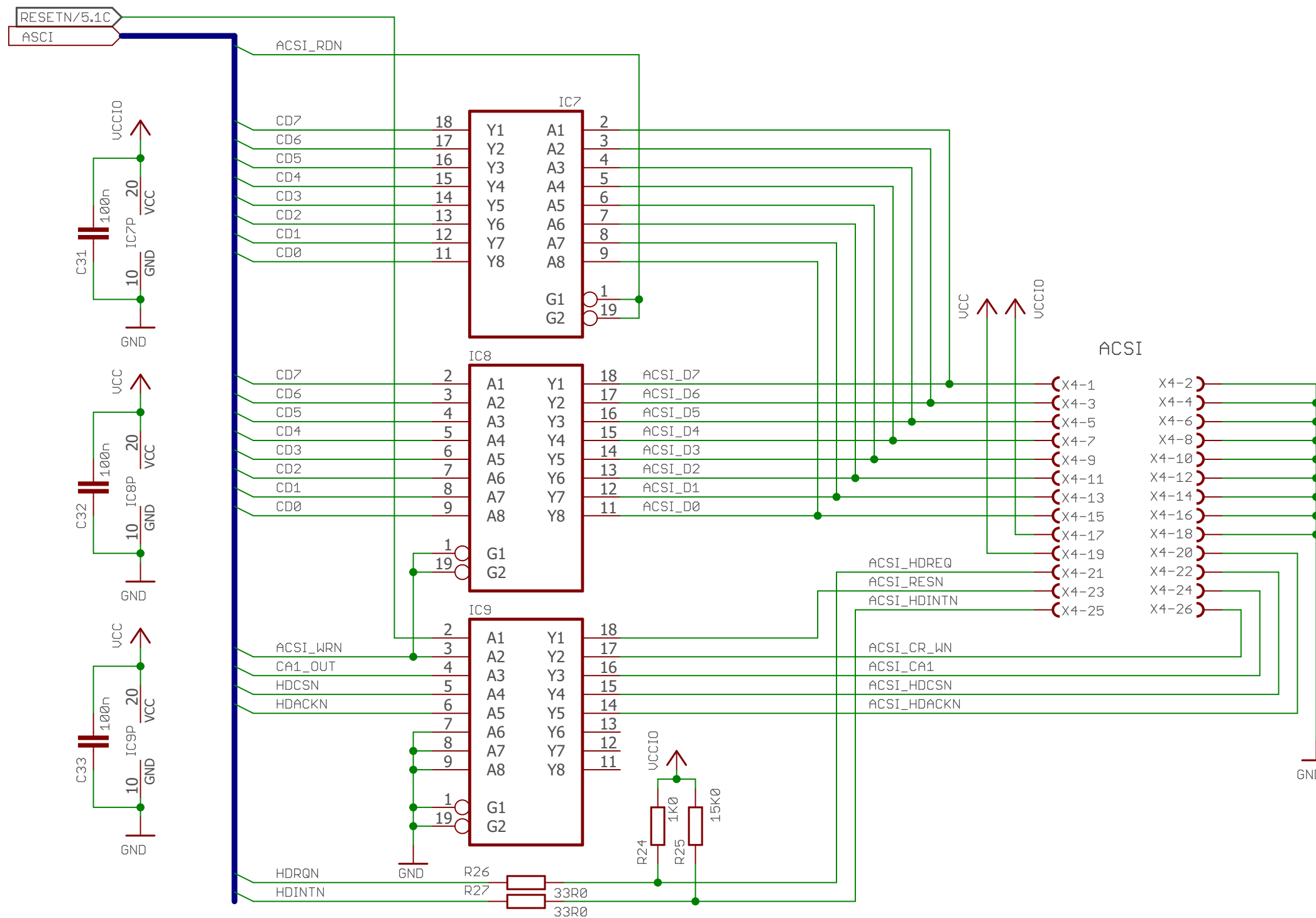
Inventronik GmbH - Wolfgang Foerster
FPGA (part 4)

TITLE: Suska-III-C_Series-2

Document Number: REV: 2K9A-WF

Date: 07.05.2021 13:12 Sheet: 4/21





Inventronik GmbH - Wolfgang Foerster
ACSI-Interface

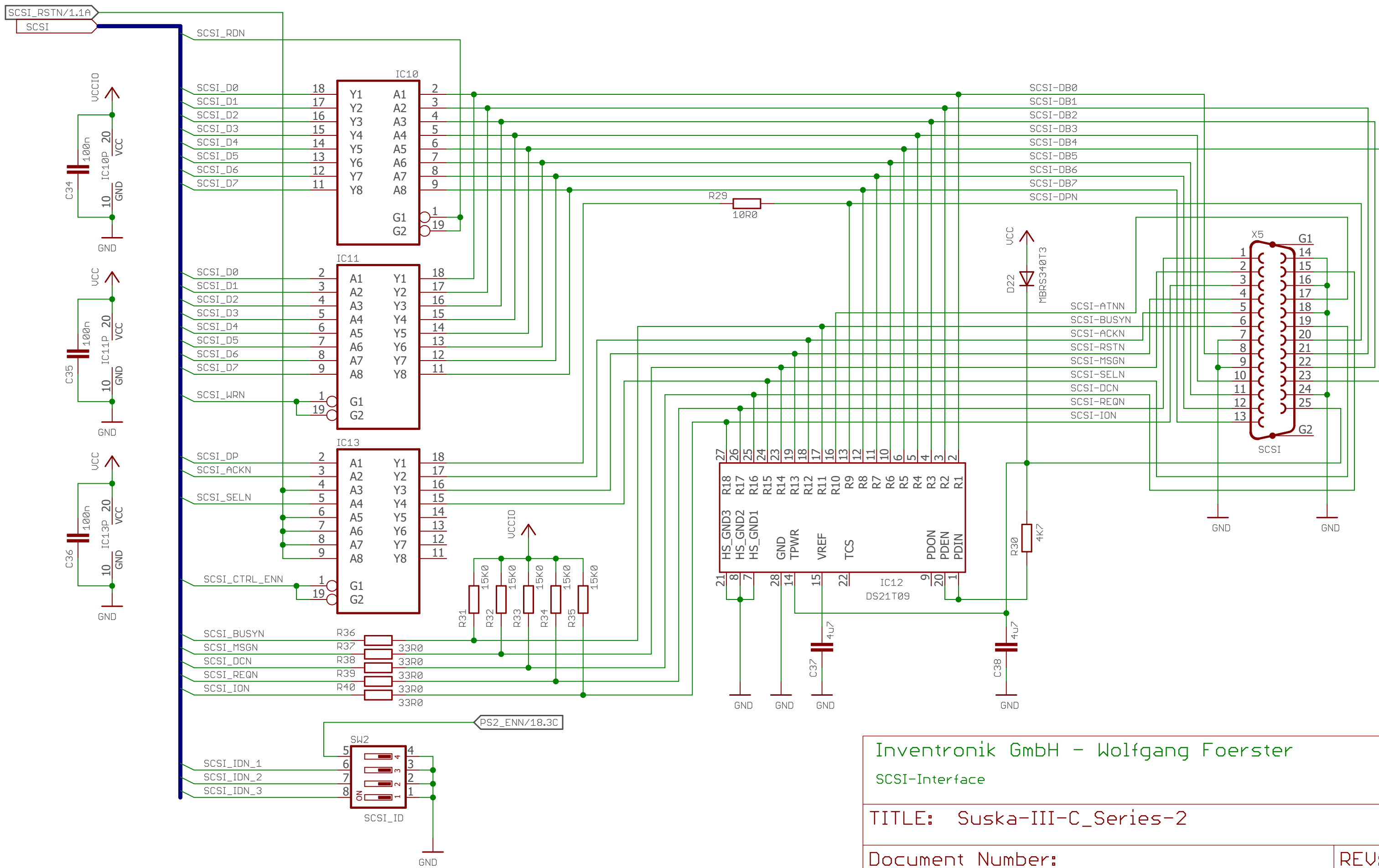
TITLE: Suska-III-C_Series-2

Document Number:

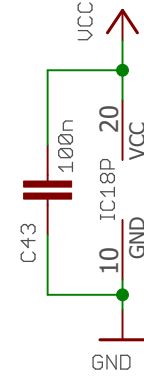
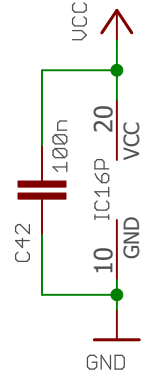
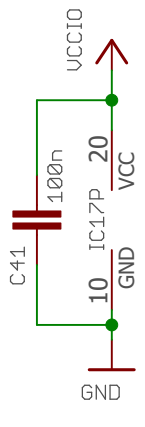
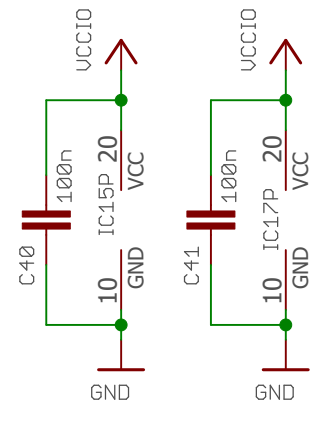
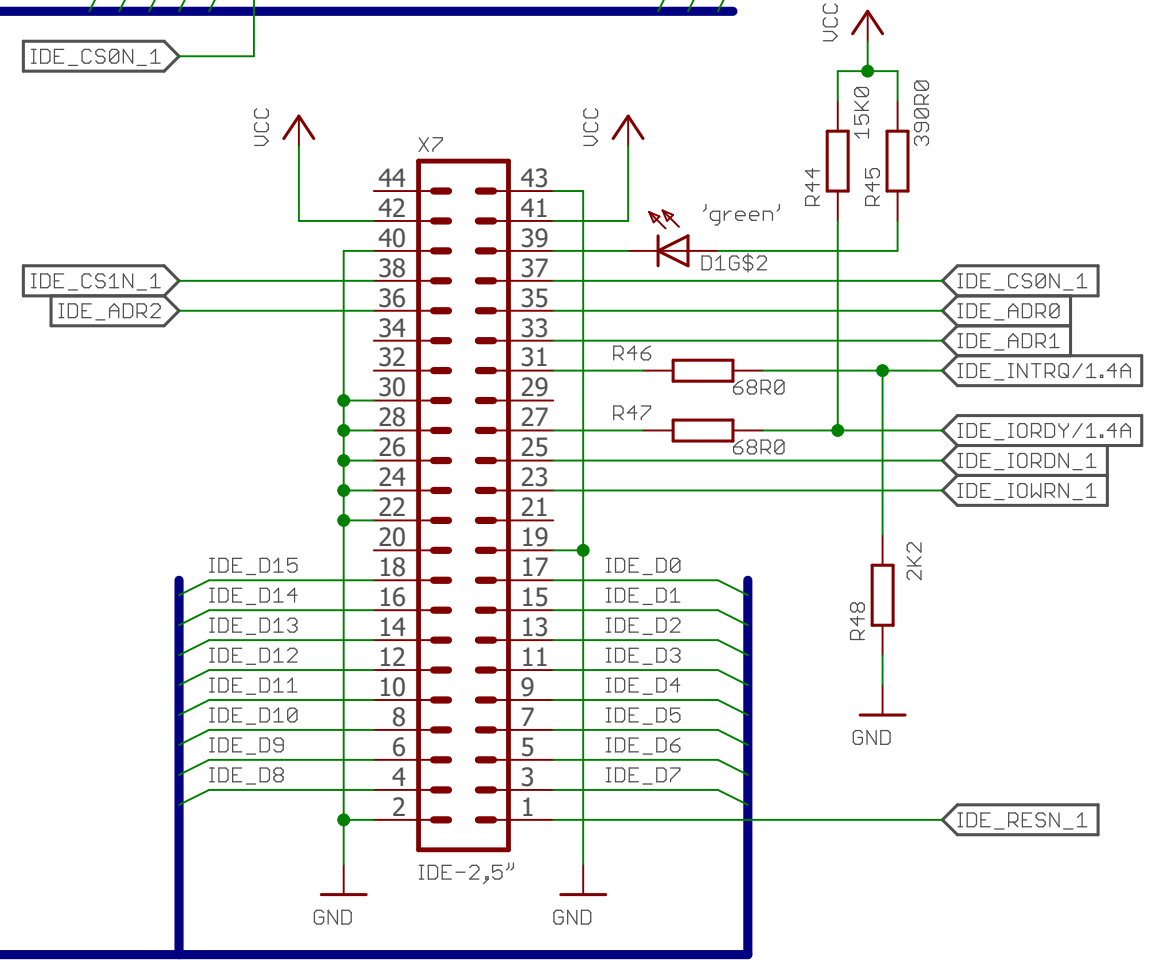
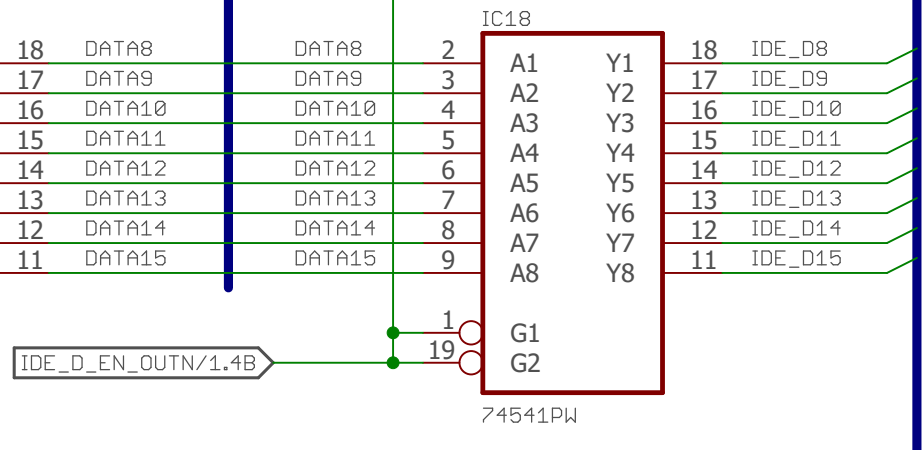
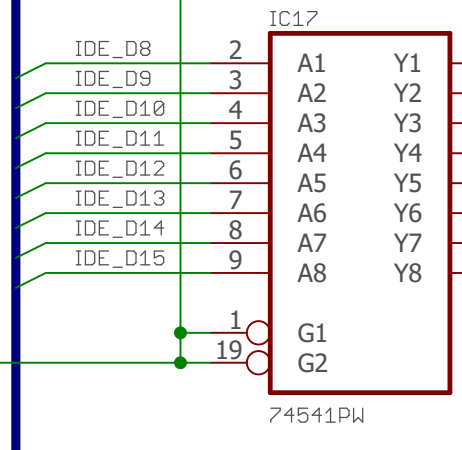
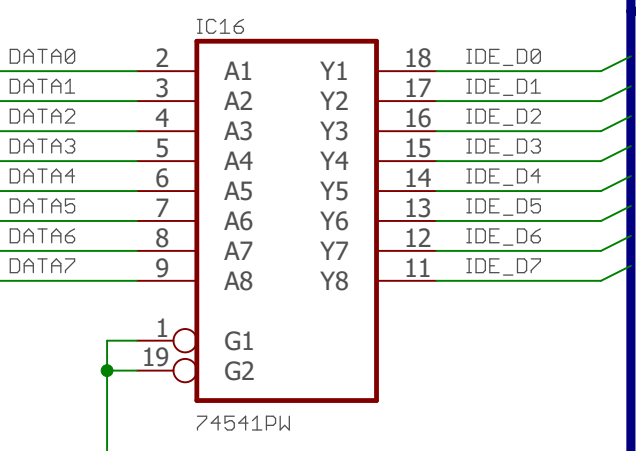
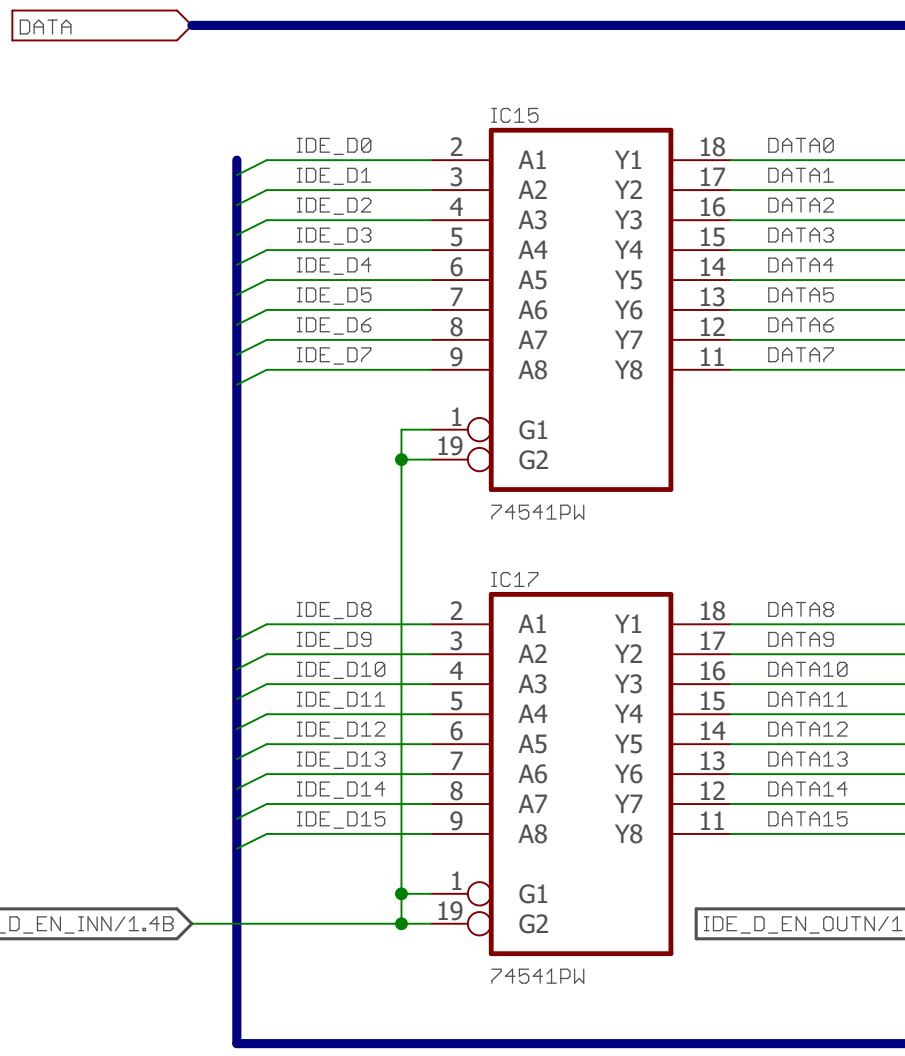
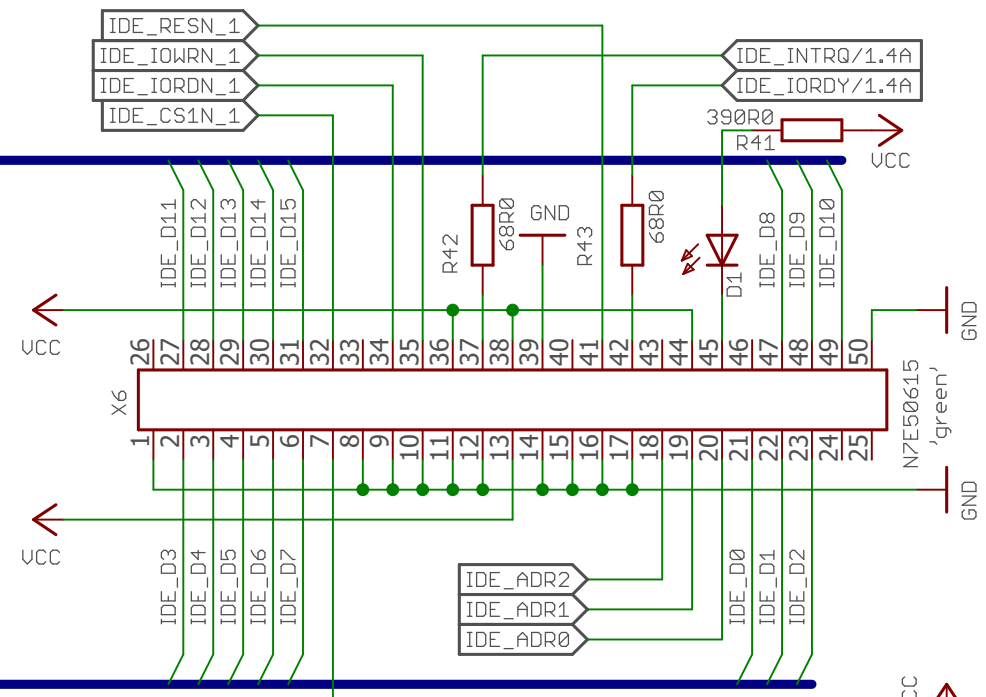
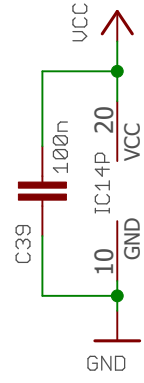
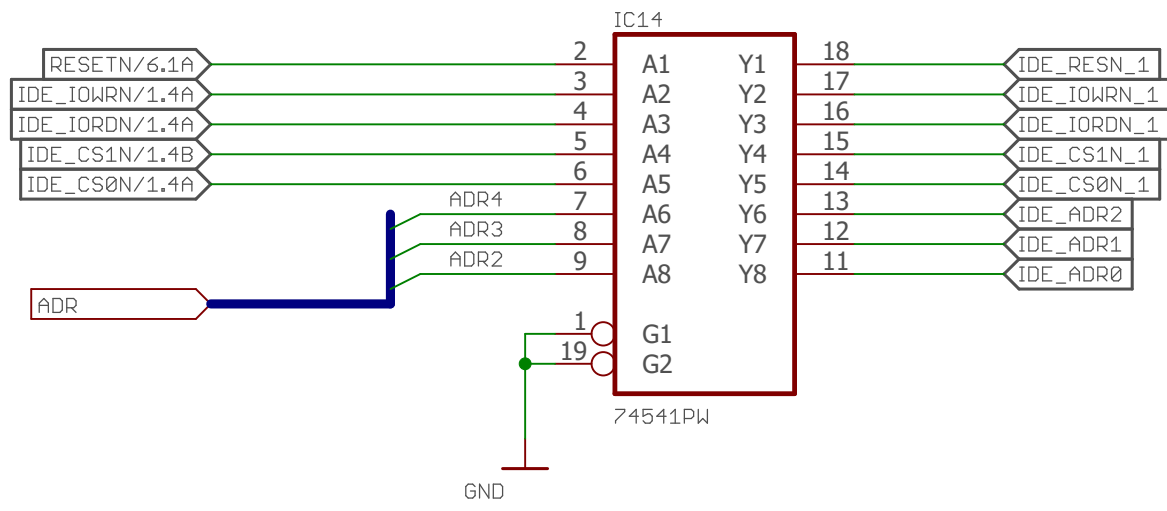
REV:
2K9A-WF

Date: 07.05.2021 13:12

Sheet: 6/21



Inventronik GmbH - Wolfgang Foerster	
SCSI-Interface	
TITLE: Suska-III-C_Series-2	
Document Number:	REV: 2K9A-WF
Date: 07.05.2021 13:12	Sheet: 7/21



Inventronik GmbH - Wolfgang Foerster
 IDE-Interface

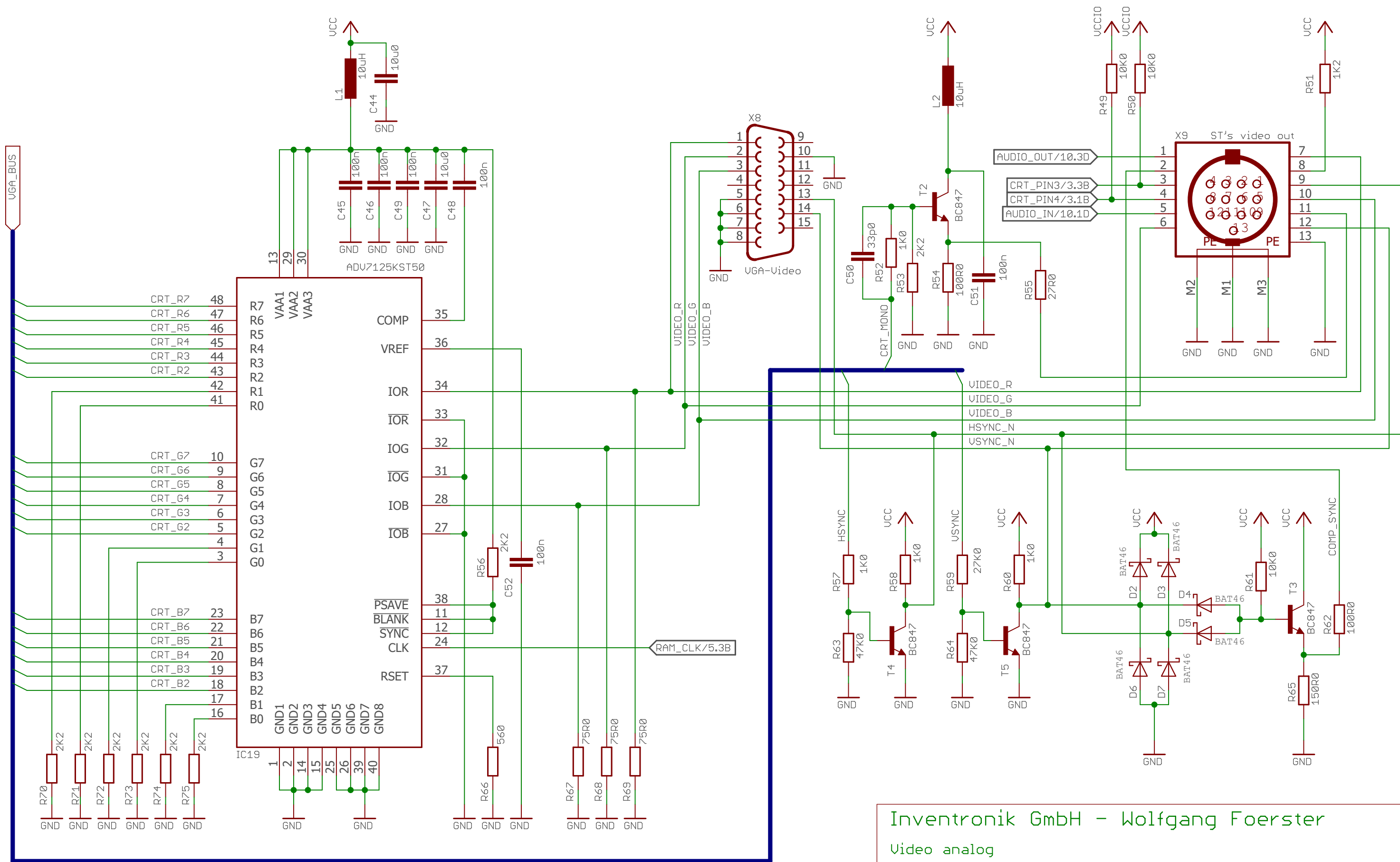
TITLE: Suska-III-C_Series-2

Document Number:

REV:
2K9A-WF

Date: 07.05.2021 13:12

Sheet: 8/21

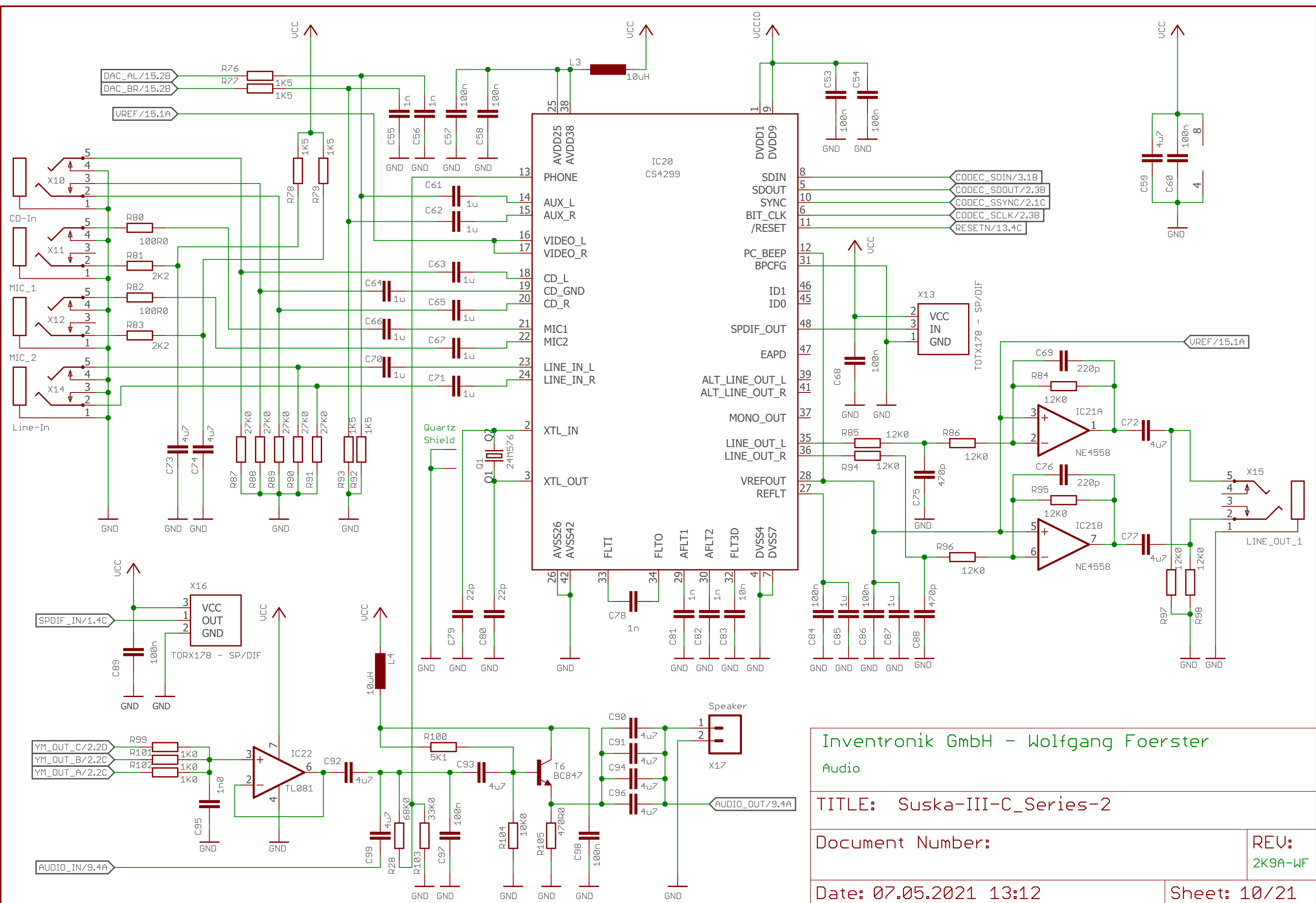


Inventronik GmbH - Wolfgang Foerster
 Video analog

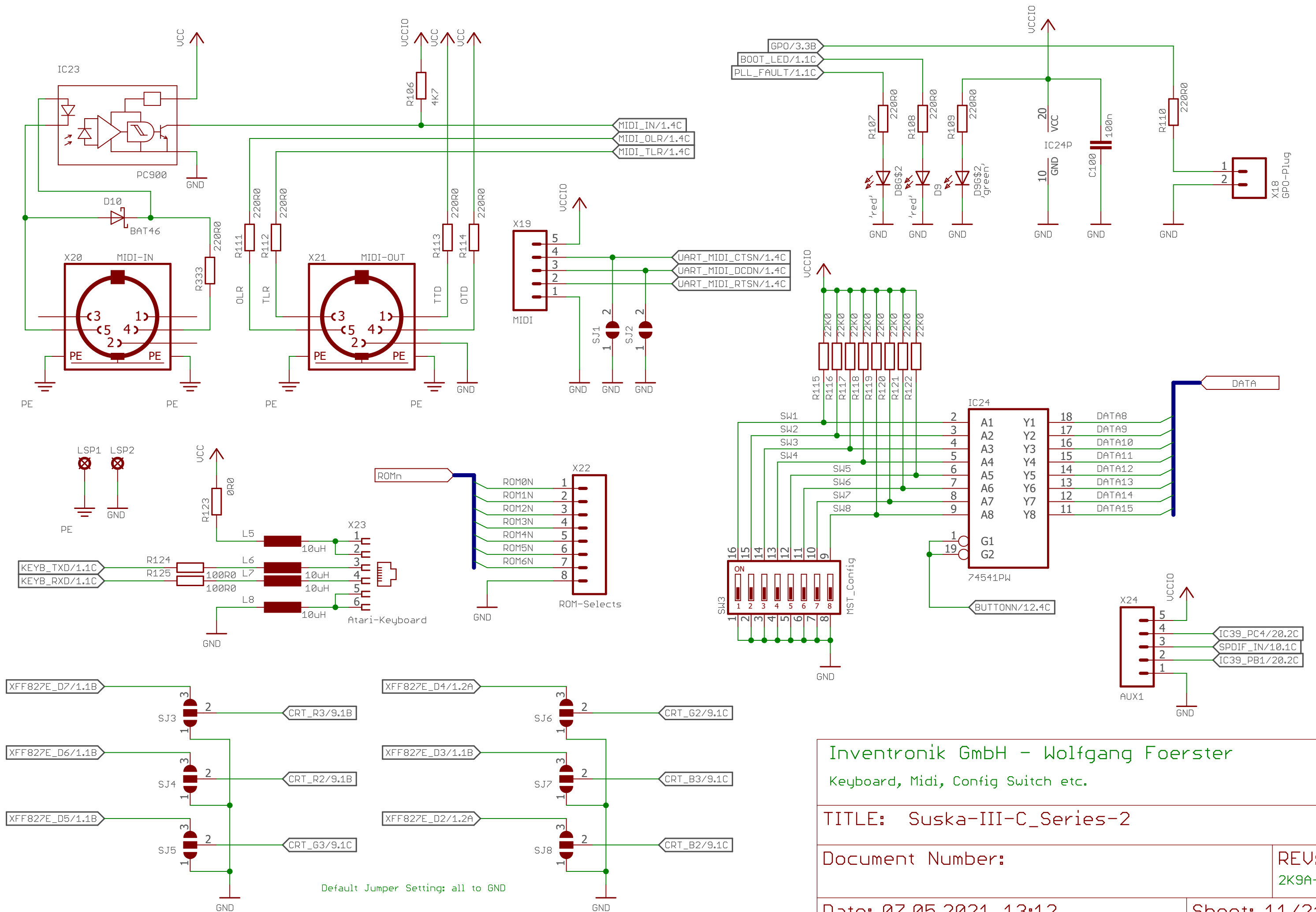
TITLE: Suska-III-C_Series-2

Document Number: REV: 2K9A-WF

Date: 07.05.2021 13:12 Sheet: 9/21



Inventronik GmbH - Wolfgang Foerster
 Audio
 TITLE: Suska-III-C_Series-2
 Document Number: REV: 2K9A-WF
 Date: 07.05.2021 13:12 Sheet: 10/21

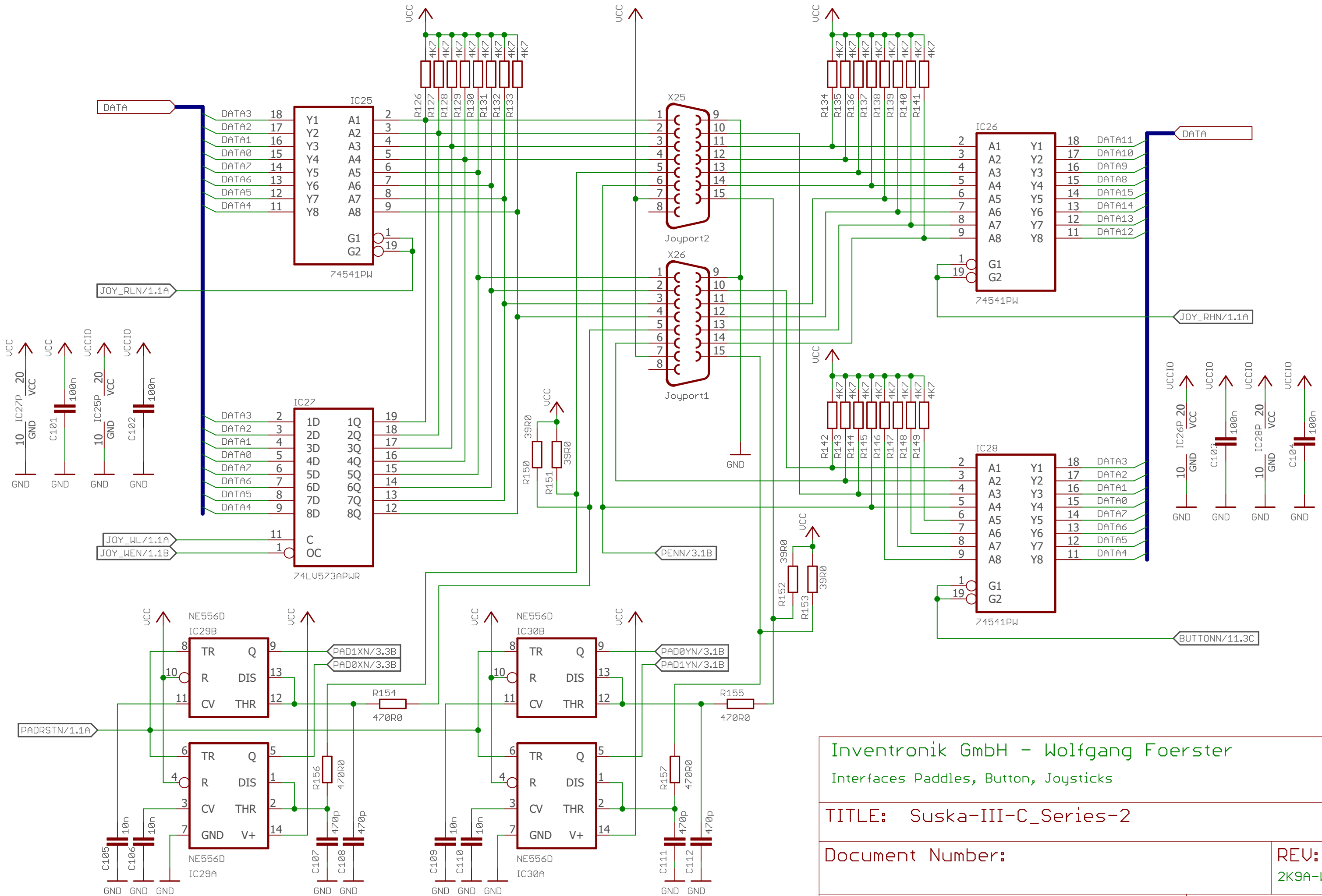


Inventronik GmbH - Wolfgang Foerster
 Keyboard, Midi, Config Switch etc.

TITLE: Suska-III-C_Series-2

Document Number: REV: 2K9A-WF

Date: 07.05.2021 13:12 Sheet: 11/21

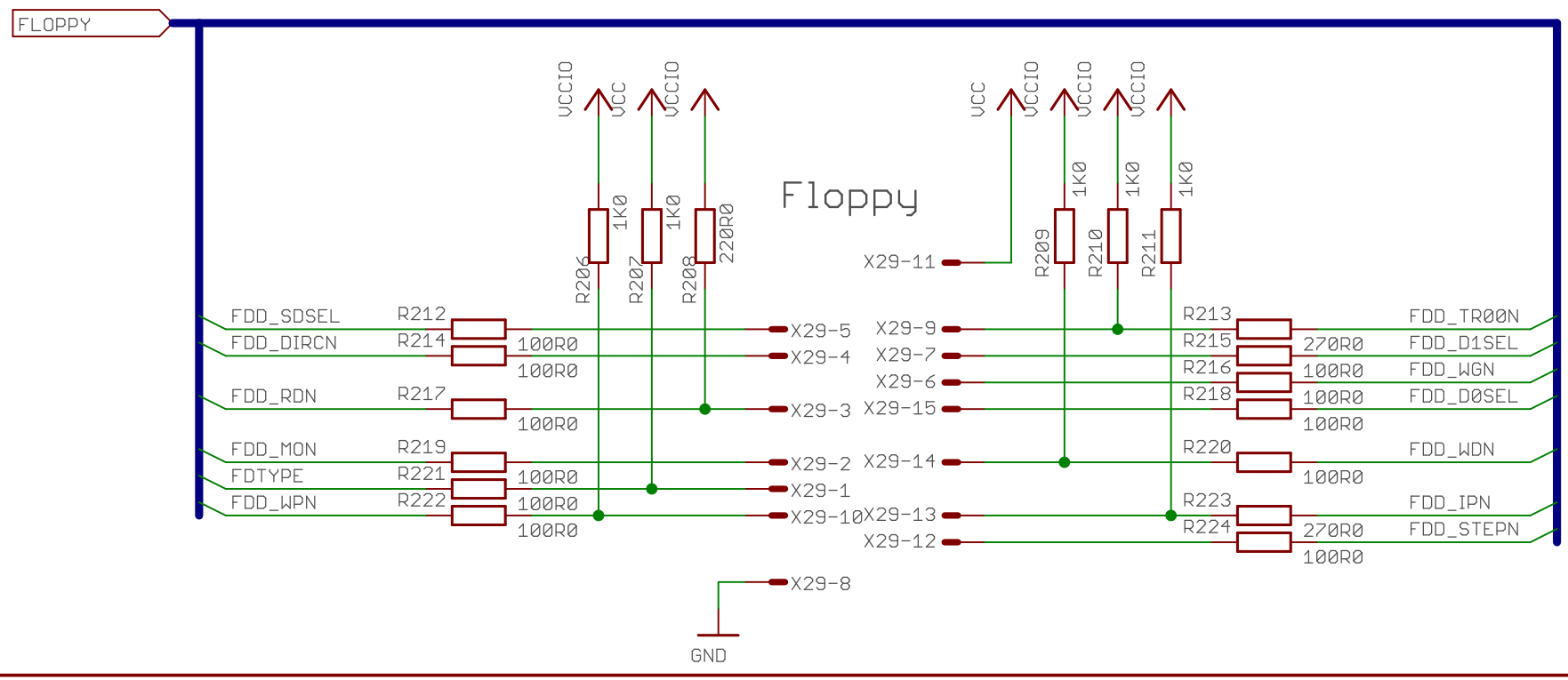
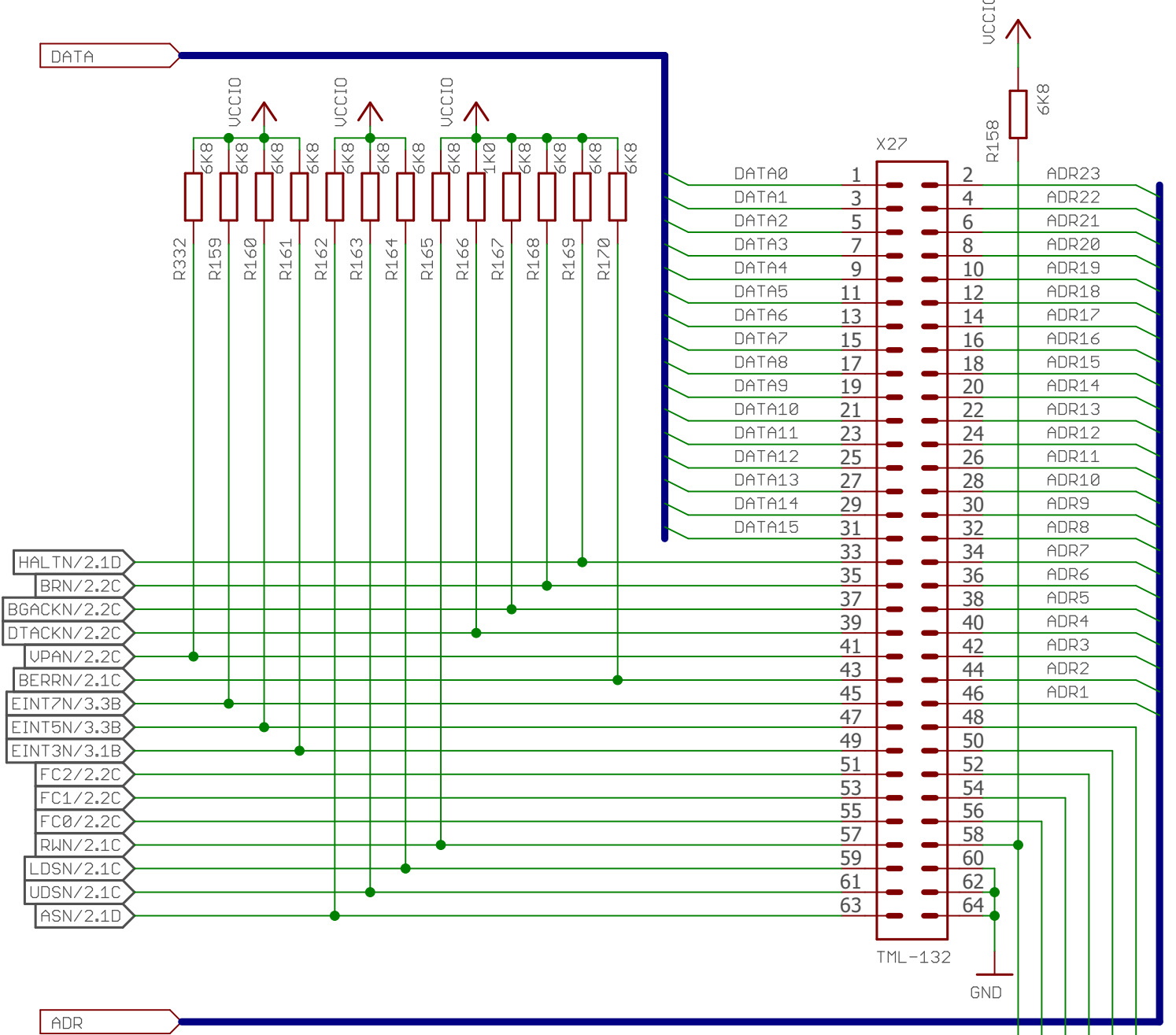
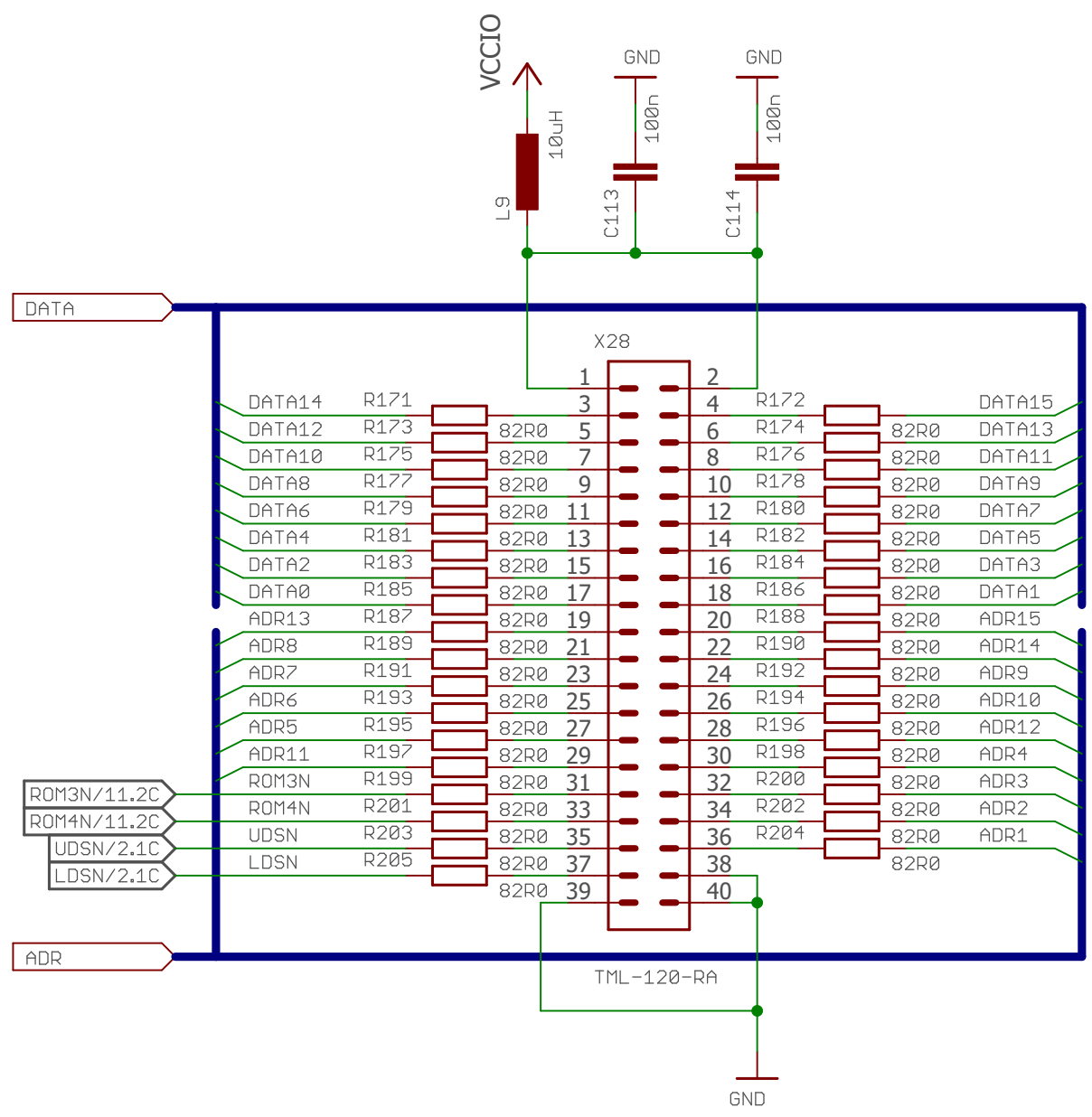


Inventronik GmbH - Wolfgang Foerster
 Interfaces Paddles, Button, Joysticks

TITLE: Suska-III-C_Series-2

Document Number: REV: 2K9A-WF

Date: 07.05.2021 13:12 Sheet: 12/21

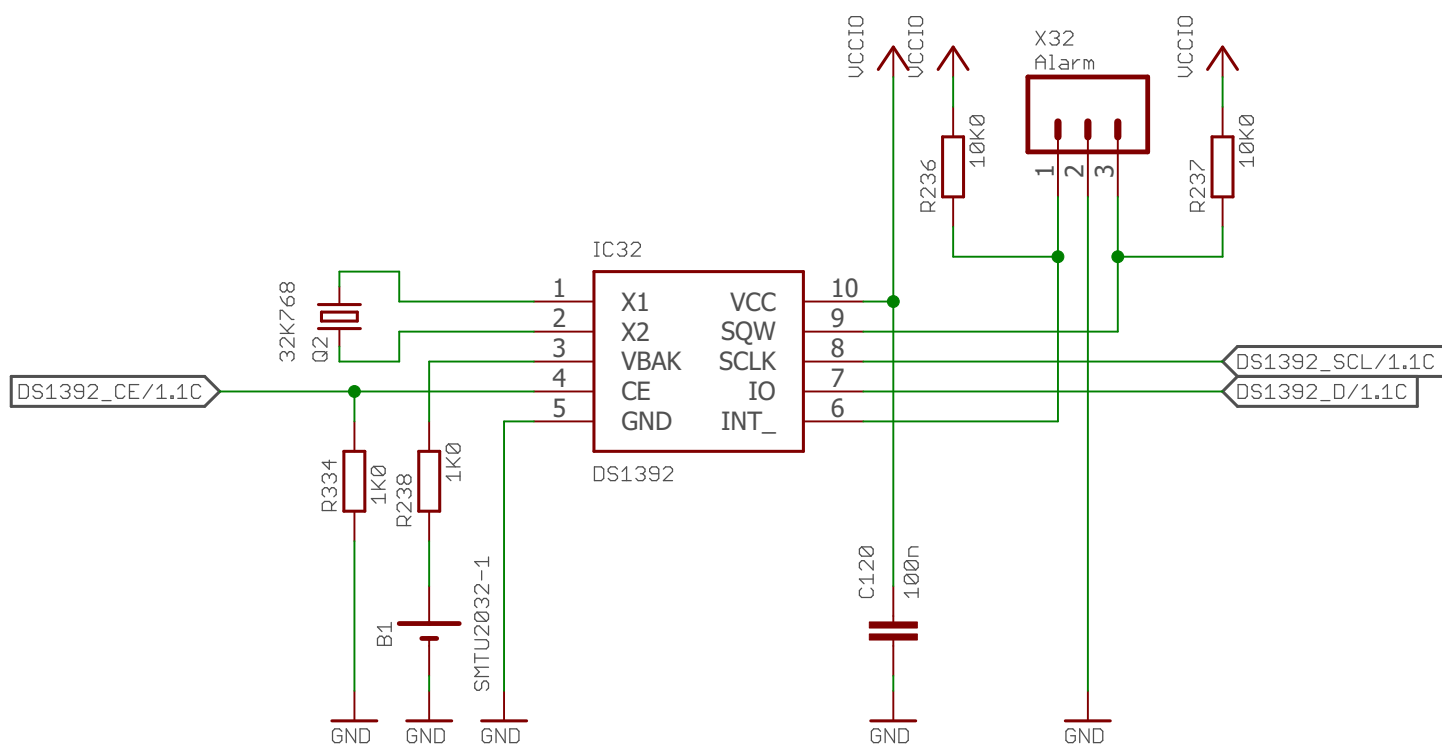
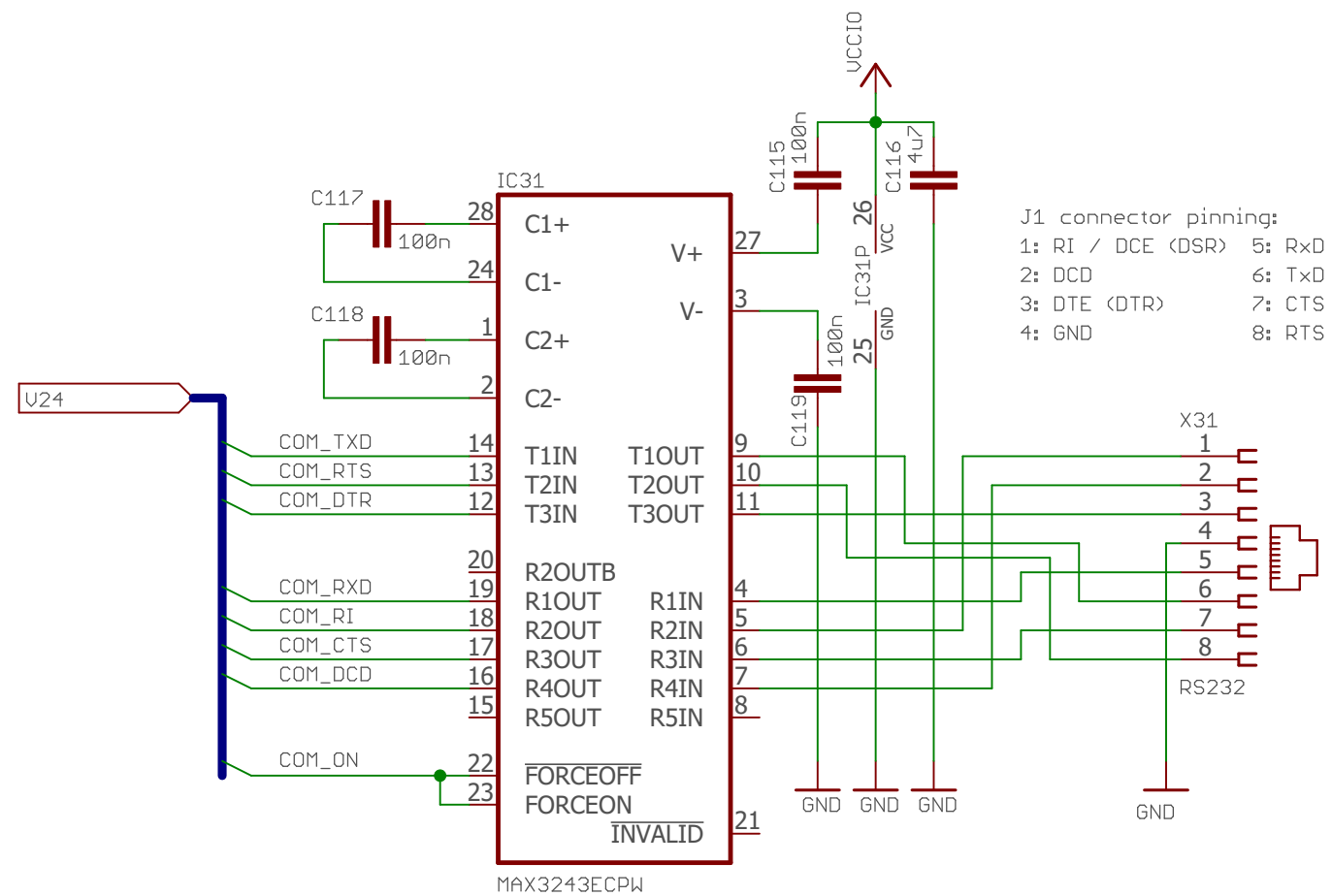
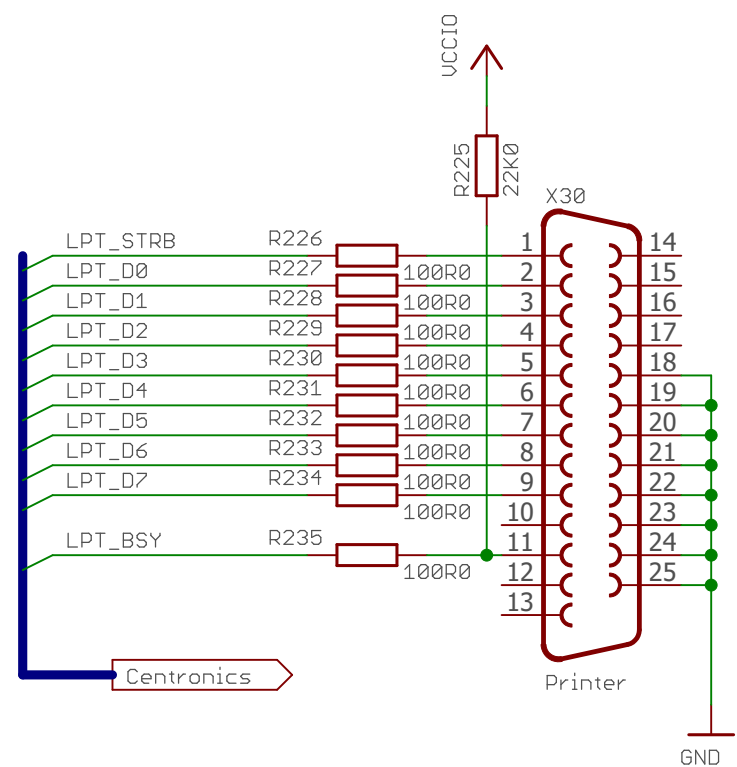


Inventronik GmbH - Wolfgang Foerster
 Extension Plug, Floppy-Interface

TITLE: Suska-III-C_Series-2

Document Number: _____ REV: 2K9A-WF

Date: 07.05.2021 13:12 Sheet: 13/21



Inventronik GmbH - Wolfgang Foerster
 V24-Interface, Centronics-Interface, Real Time Clock

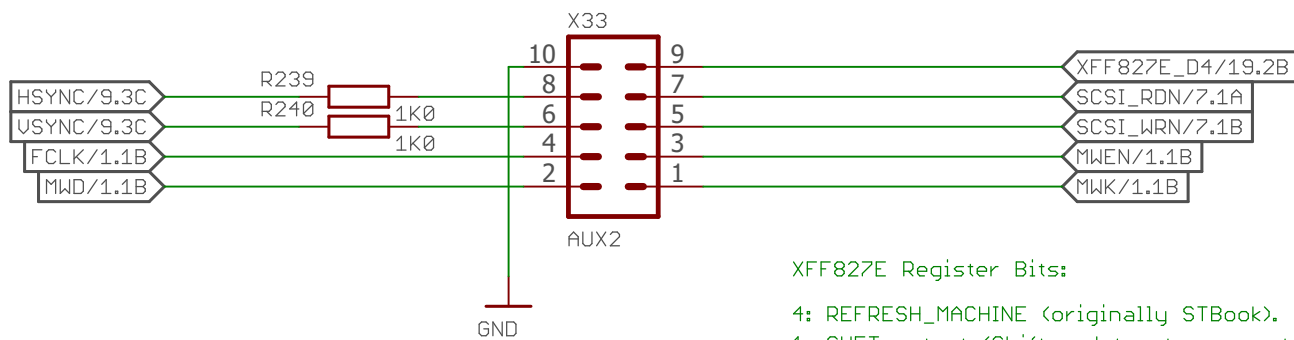
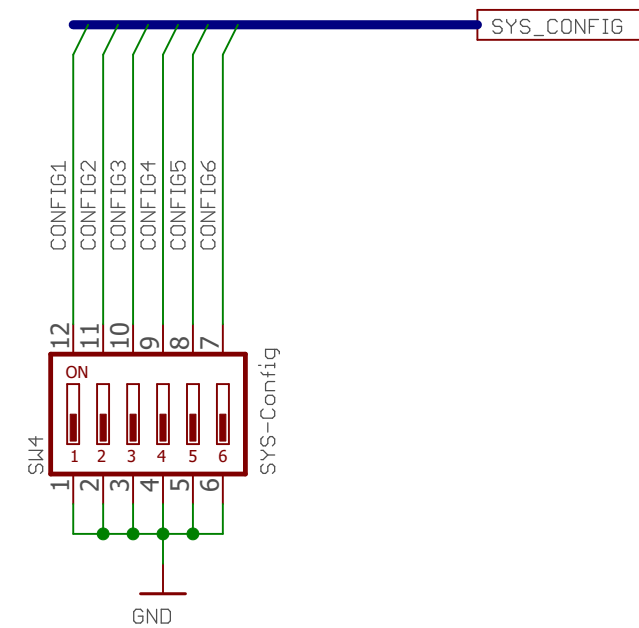
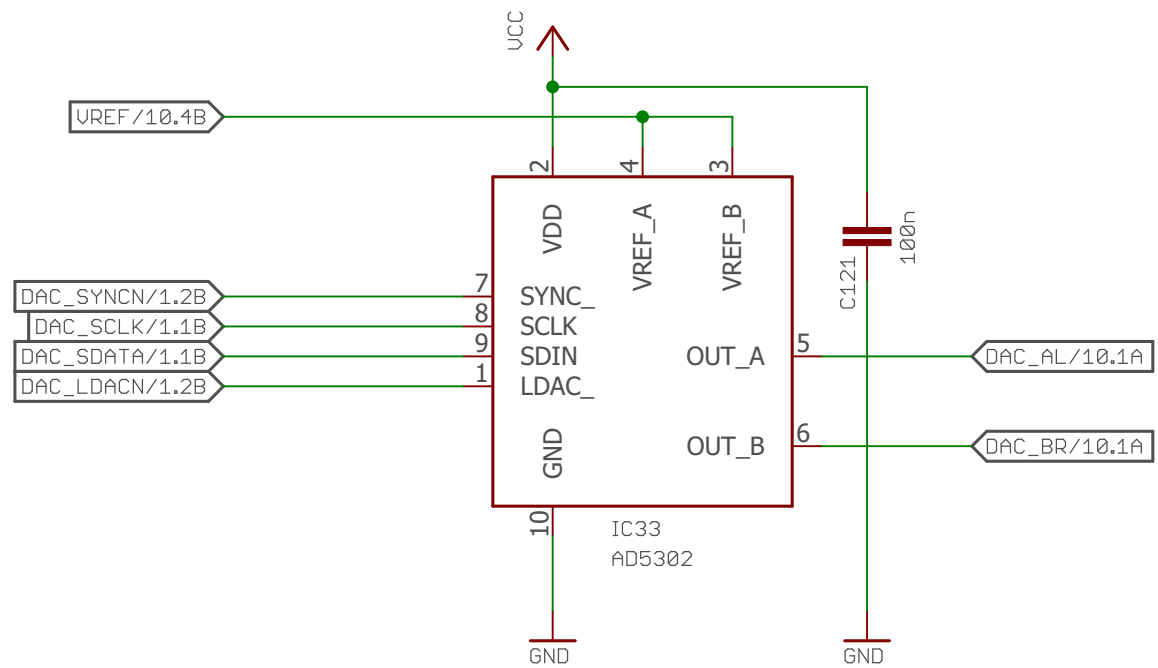
TITLE: Suska-III-C_Series-2

Document Number:

REV:
2K9A-WF

Date: 07.05.2021 13:12

Sheet: 14/21



XFF827E Register Bits:
 4: REFRESH_MACHINE (originally STBook).
 1: SHFT output (Shifter data stream control, STBook).
 0: SHADOW chip off (STBook).

Inventronik GmbH - Wolfgang Foerster
 Audio-DA-Converter, Spares

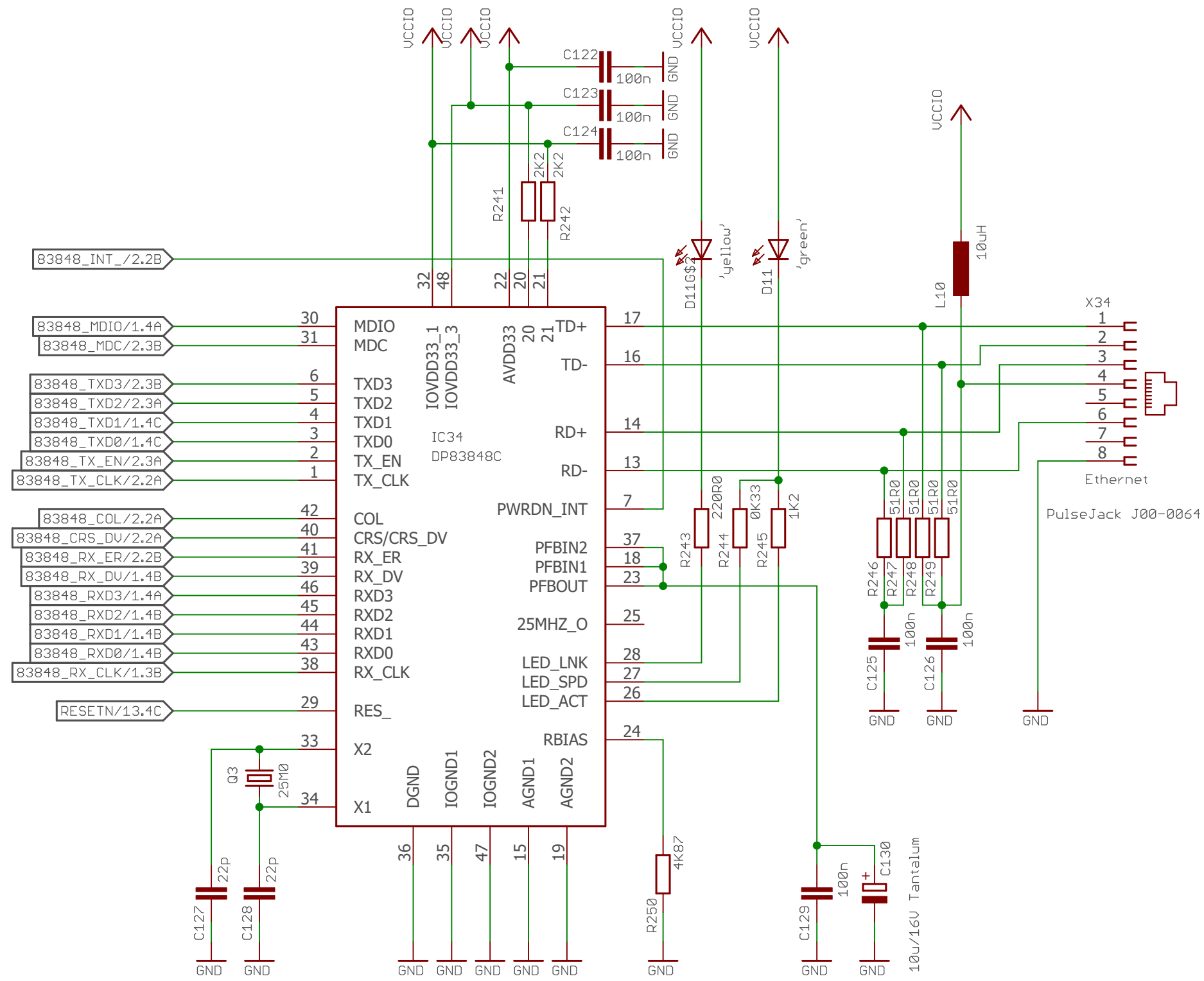
TITLE: Suska-III-C_Series-2

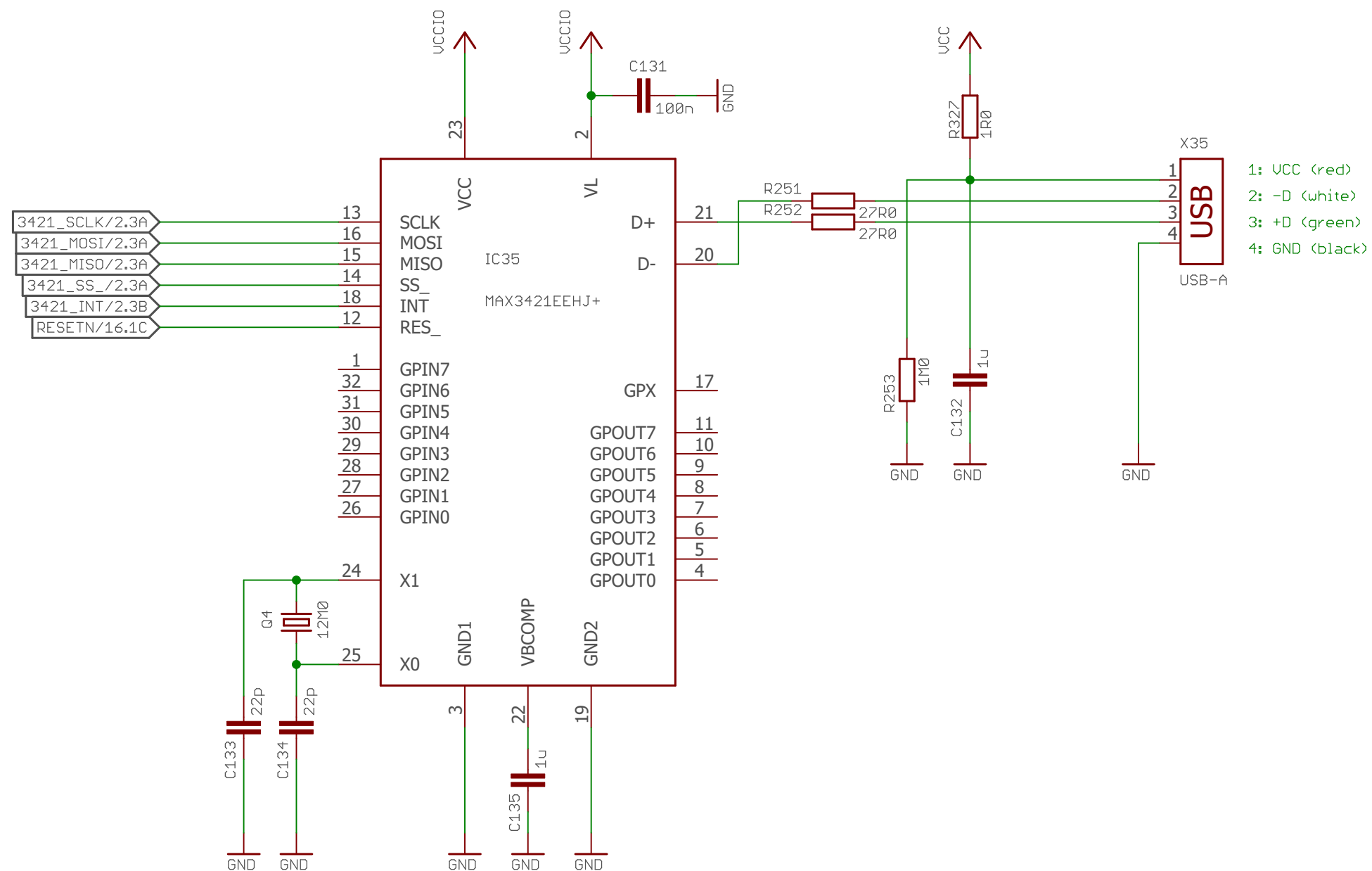
Document Number:

REV:
 2K9A-WF

Date: 07.05.2021 13:12

Sheet: 15/21





Inventronik GmbH - Wolfgang Foerster
 USB20 Host/Devive Interface

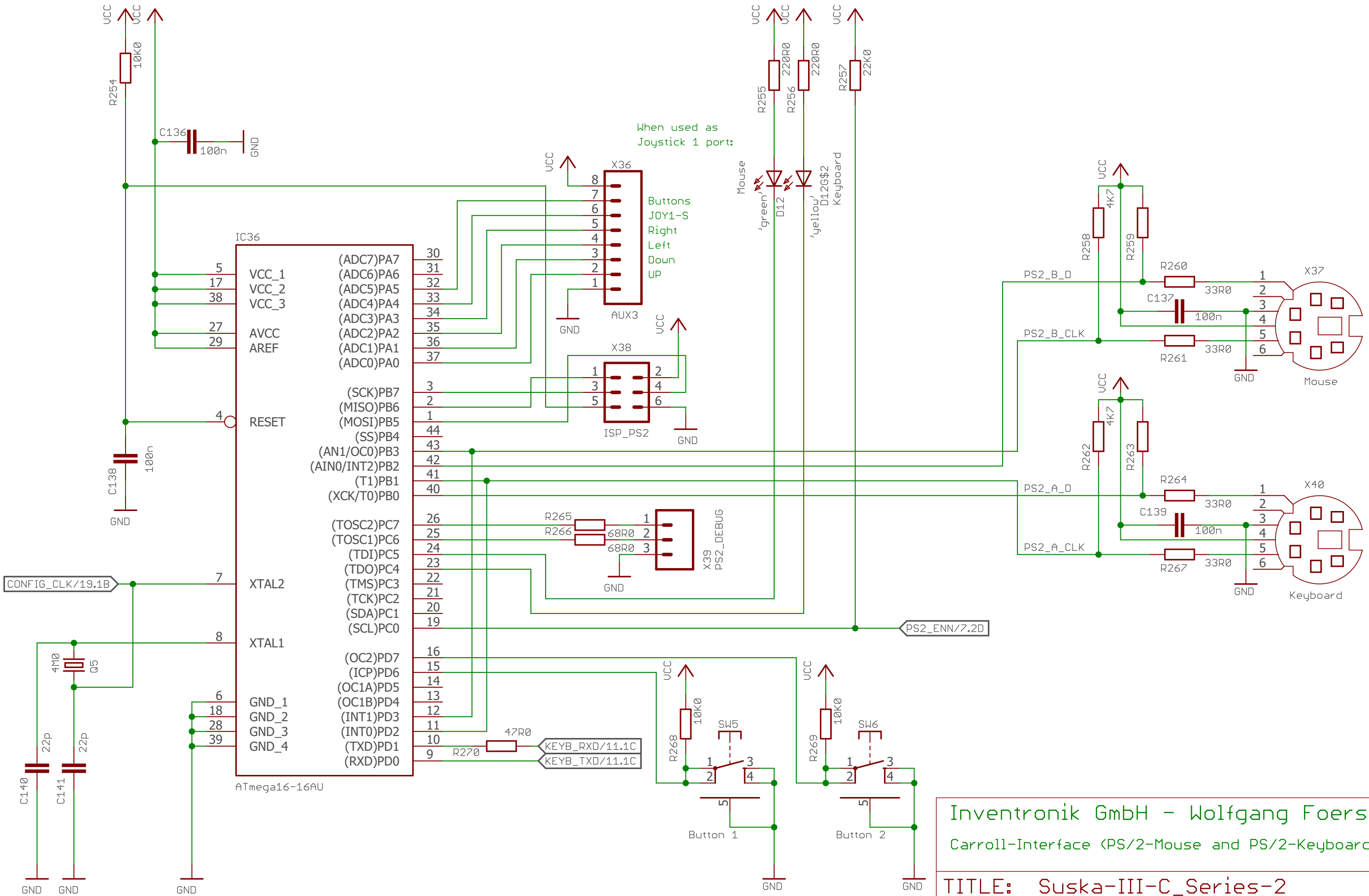
TITLE: Suska-III-C_Series-2

Document Number:

REV:
 2K9A-WF

Date: 07.05.2021 13:12

Sheet: 17/21

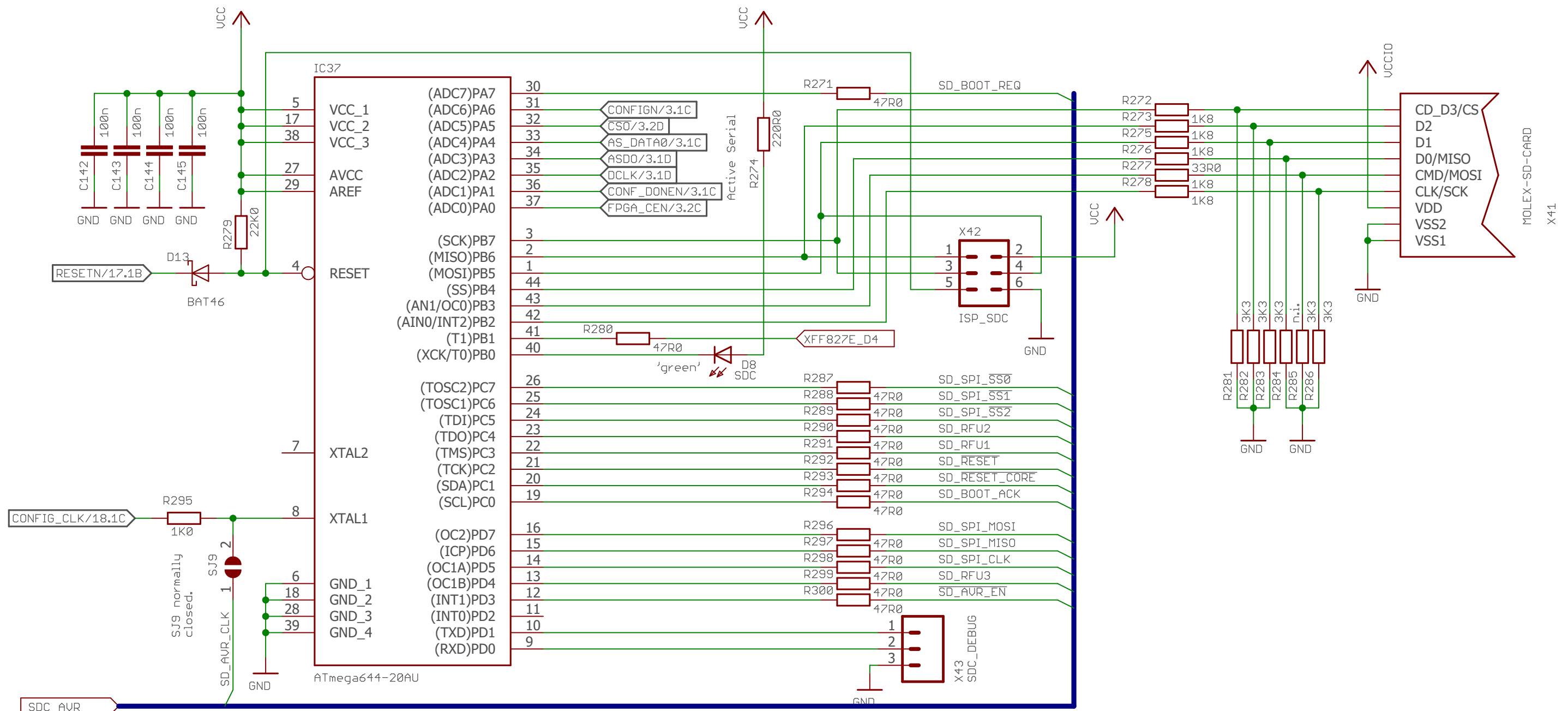


Inventronik GmbH - Wolfgang Foerster
Carroll-Interface (PS/2-Mouse and PS/2-Keyboard)

TITLE: Suska-III-C_Series-2

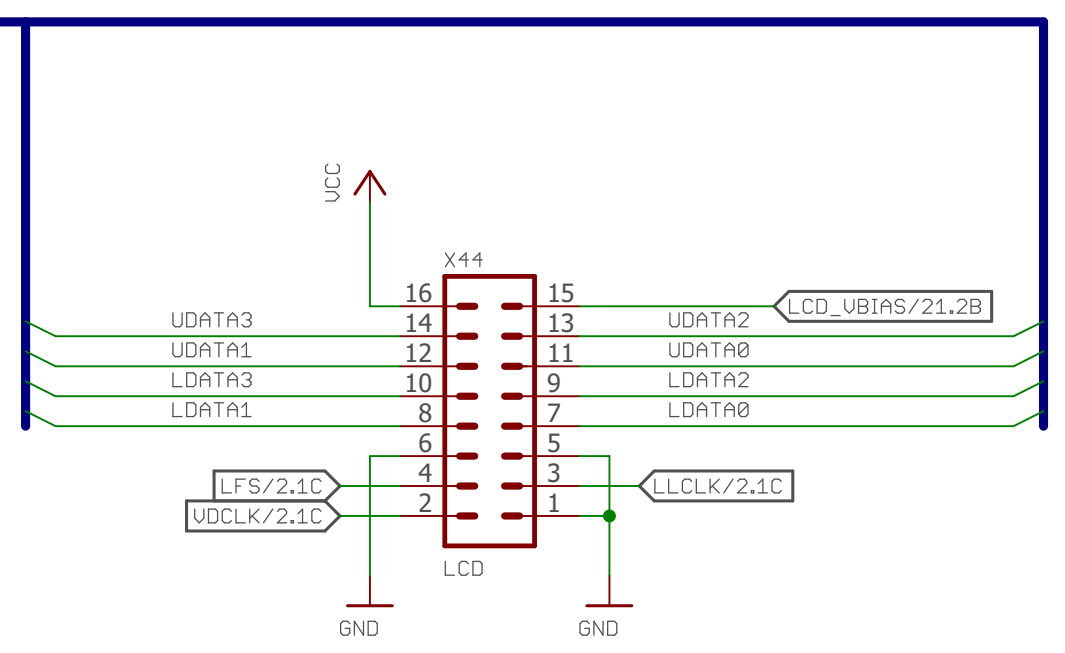
Document Number:	REV: 2K9A-WF
------------------	-----------------

Date: 07.05.2021 13:12	Sheet: 18/21
------------------------	--------------

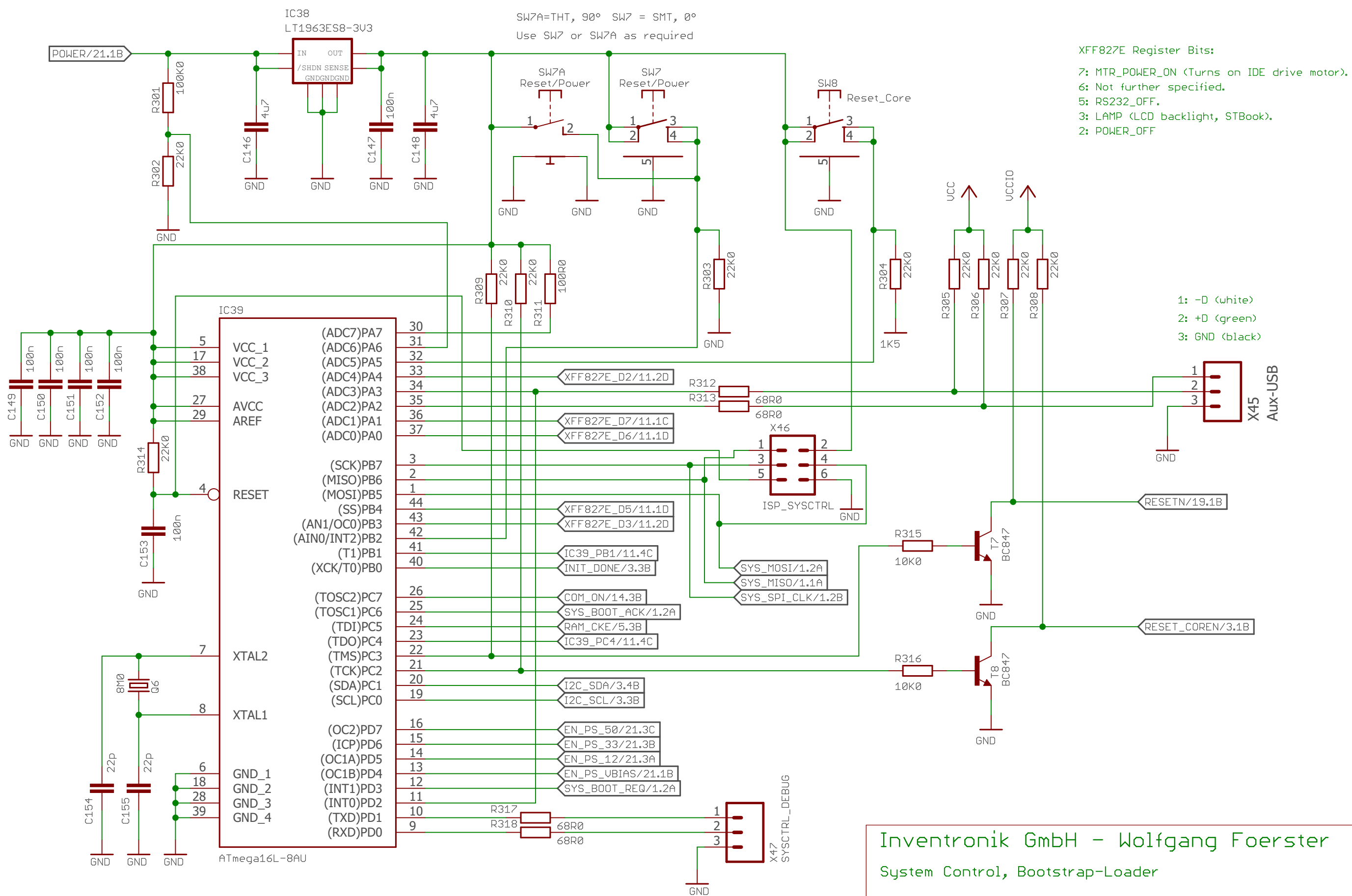


SDC_AVR

LCD_BUS



Inventronik GmbH - Wolfgang Foerster	
Video LCD, SD-Card Interface	
TITLE: Suska-III-C_Series-2	
Document Number:	REV: 2K9A-WF
Date: 07.05.2021 13:12	Sheet: 19/21



Inventronik GmbH - Wolfgang Foerster
System Control, Bootstrap-Loader

TITLE: Suska-III-C_Series-2

Document Number:	REV: 2K9A-WF
------------------	-----------------

Date: 07.05.2021 13:12	Sheet: 20/21
------------------------	--------------

